



IP Cameras

DWC-MD72Di28T



Default Login Information: admin | admin

When logging into the camera for the first time, you will be prompted to set up a new password. You can set the new password using the DW® IP Finder™ software or directly from the camera's browser menu.

WHAT'S IN THE BOX

Quick setup guide		1	Mounting template		1
Screws and plastic anchors - 3pcs		1 set			

NOTE: Download all your support materials and tools in one place

- Go to: <http://www.digital-watchdog.com/resources>
- Search your product by entering the part number in the 'Search by Product' search bar. Results for applicable part numbers will populate automatically based on the part number you enter.
- Click 'Search'. All supported materials, including manuals and quick start guide (QSGs) will appear in the results.



Attention: This document is intended to serve as a quick reference for the initial set-up. It is recommended that the user read the entire instruction manual for complete and proper installation and usage.

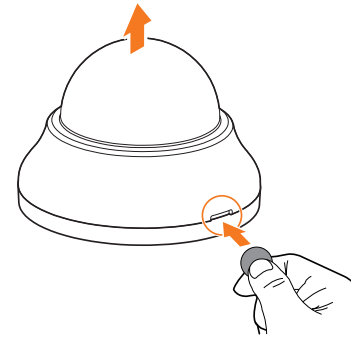
Tel: +1 (866) 446-3595 / (813) 888-9555

digital-watchdog.com

Technical Support Hours:
9:00AM - 8:00PM EST, Monday through Friday

STEP 1 - PREPARING TO MOUNT THE CAMERA

- The mounting surface must withstand five times the camera weight.
- Do not let the cables get caught in improper places or the electric line cover can be damaged. This may cause a short or fire.
- For the installation process, remove the dome cover from the camera module. Insert a coin or a screwdriver between the camera's base and the dome. Twist the coin to pry the dome cover open.
- Before installing the camera, be sure to remove the protective ring from the camera's lens module.
- Using the mounting template sheet or the camera itself, mark and drill the necessary holes in the wall or ceiling.



STEP 2 - CABLING THE CAMERA TO EXTERNAL DEVICES

Pass the wires through the mount bracket and make all necessary connections.

- NETWORK CONNECTIONS** - If you are using a PoE switch, connect the camera using an Ethernet cable for both data and power.
- NETWORK CONNECTIONS** - If you are using a non-PoE switch, connect the camera to the switch using an Ethernet cable for data transmission and use a power adapter to power the camera.

Power requirements	Power consumption
DC 12V, PoE (IEEE 802.3af Class 2) Adapter not included.	DC12V: max 3.8W PoE: max 5.5W

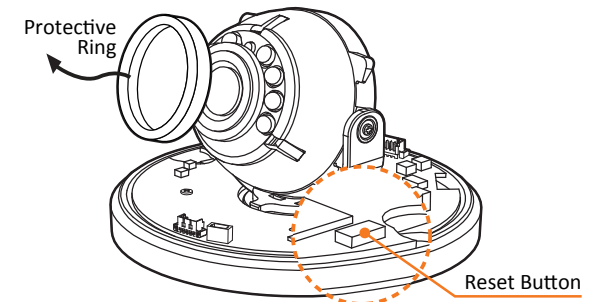
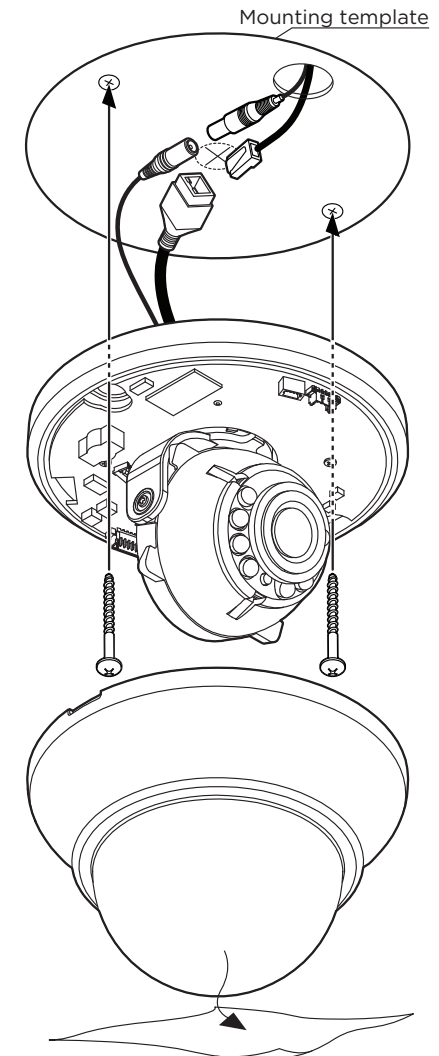
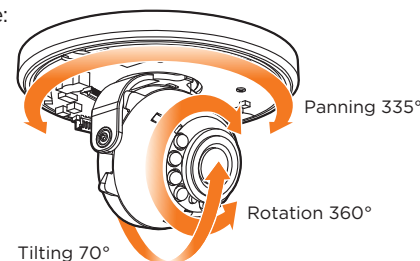
STEP 3 - INSTALLING THE CAMERA

- Secure the camera to the mounting surface using the included screws and anchors.
- Adjust the camera's pan, tilt and position to achieve the desired view. The cameras' max angles are:

Pan: 0° - 335°

Tilt: 0° - 70°

Rotation: 0° - 360°



Resetting the camera: To reset the camera's settings, including the network settings, use the tip of a paper clip or a pencil. Press the reset button for five (5) seconds.

STEP 4 – DW® IP FINDER™

Use the DW® IP Finder™ software to scan the network and detect all MEGApix® cameras, set the camera's network settings or access the camera's web client.

The screenshot shows the DW IP Finder Ver 4.4.0 interface. On the left, there are control buttons for 'Scan Devices', 'Thumbnail', 'Refresh Thumbnail', 'Bulk IP Assignment', 'Bulk Password Assignment', and 'FW Upgrade'. The main area is a table of detected devices. Callouts on the right identify various columns and buttons: DHCP status, Firmware version, Camera's uptime, Open IP configuration settings, Ping camera, Port information, Gateway address, Netmask address, Camera's MAC address, Part number, Camera's IP address, and Camera's name. The table columns include: Thumbnail, Name, IP Address, Model, MAC Address, Netmask, Gateway, Port, DHCP, Version, Ping Test, IP Conf., and Uptime.

Network Setup

- To install the DW® IP Finder™, go to: <http://www.digital-watchdog.com>
- Enter "DW® IP Finder" on the search box at the top of the page.
- Go to the "Software" tab on the DW® IP Finder™ page to download the installation file.
- Follow the installation to install the DW® IP Finder™. Open the DW® IP Finder™ and click 'Scan Devices'. It will scan the selected network for all supported devices and list the results in the table. During the scan, the DW® logo will turn gray.

i Select DHCP to allow the camera to receive its IP address automatically from the DHCP server.

Select "Static" to manually enter the camera's IP address, (Sub) Netmask, Gateway and DNS information.
* The camera's IP must be set to Static if connecting to Spectrum® IPVMS

i Contact your network administrator for more information.

i Default TCP/IP information: DHCP

- When connecting to the camera for the first time, a password must be set. To set up a password for your new camera:
 - Check the box next to your new camera from the IP Finder's search results. You can select multiple cameras.

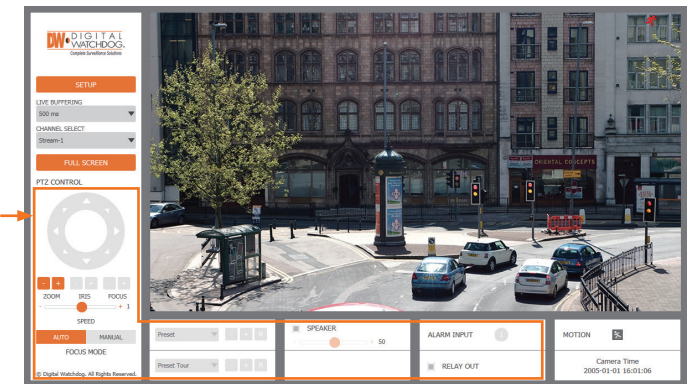
- Click "Bulk Password Assign" on the left.
 - In the pop-up window, enter admin/admin in the current username and password fields. Enter a new username and password to the right.
 - Press "change" to apply all changes.
- Select a camera from the list by double-clicking on the camera's image or clicking on the 'Click' button under the IP Conf. column. The pop-up window will show the camera's current network settings, allowing admin users to adjust the settings as needed.
 - To access the camera's web page, go to the IP Config page and click on 'View Camera Website'.
 - To save the changes made to the camera's setting, input username and password of the camera and click Apply.

i 'Port forwarding' has to be set in your network's router for external access to the camera.

The dialog box has two sections: 'Current Account' with fields for Username and Password, and 'New Password' with fields for New, Confirm, and Hint. A 'Change' button is at the bottom right.

The dialog box shows fields for Camera Name, MAC Address, IP Configuration Mode (DHCP or Static IP), IP Address, Netmask, Gateway, DNS, and Ports (Web, Control, Video, Audio Transmit, Audio Receive). It also includes Username and Password fields, and buttons for 'View Camera Website', 'Apply', 'Reboot', and 'Cancel'.

STEP 5 – WEB VIEWER



The GUI display may differ by camera models.

Once the camera's network settings have been setup properly, you can access the camera's web viewer using the DW® IP Finder™.

To open the camera's web viewer:

- Find the camera using the DW® IP Finder™.
- Double-click on the camera's view in the results table.
- Press the 'View Camera Website'. The camera's web viewer will open up in your default web browser.
- Enter the camera's username and password you setup in the DW® IP Finder™. If you did not setup a new username and password via the DW® IP Finder™, you will not be able to view video from the camera. A message will direct you to setup a new password for the camera in order to view video.

The browser window shows a 'Change admin's password' form with fields for Password, Retype Password, and Password Hint. Below the fields is a password requirement message: 'Password requirement : minimum 8 characters with at least three combinations of uppercase letters, lowercase letters, numbers and special characters. Acceptable special characters are: ~ ! \$ ^ () _ - | { } ; : ? /'. There are 'CHANGE PASSWORD' and 'CHANGE LATER' buttons at the bottom.

- When accessing the camera for the first time, install the VLC player for web files in order to view video from the camera.

NOTE: Some menu options may not be available based on the camera model. See the full manual for more information.

NOTE: Please see the full product manual for web viewer setup, functions and camera settings options.