

LCD Keypads

ELK-M1KP2 & ELK-M1KP3

APPLICATION

The ELK-M1KP2 and M1KP3 are addressable LCD Keypads for the M1 and M1EZ8 Cross Platform Controls. They feature 32 character blue/white backlight displays, blue lighted keys, and 4 programmable function keys. The M1KP2 can be surface mounted with or without a 1 or 2 gang electrical box and may be 'flush' mounted using a separately purchased back box kit (ELK-M1BBK2). The M1KP3 is for surface mount only without an electrical box. It features a hinged door over the keys. Both units accept the Elk-106055 External Proximity Reader allowing cards or fobs to be used for arming, disarming, or limited door strike control. Other brands of 26 bit readers may also be compatible.

FEATURES

- Blue/white Backlight Hi-Contrast LCD Display
- Four (4) Programmable Function Keys
- Unique Menu Navigation/Direction Keys
- Operates from the M1/EZ8 'RS-485' Data Bus
- Built-in Piezo Sounder with adjustable pitch
- Accepts "External" 26 bit Weigand Prox Reader (Optional)
- Input for 1 Supervised Zone
- One Programmable "Switched Positive" Voltage Output
- Exit, Stay, Chime, and Bypass Keys
- Surface Mounts with 1 or 2 gang electrical box (M1KP2 only)
- Optional Flush Mount Kit "ELK-M1BBK2" (M1KP2 only)
- Hinged Door over Keys (M1KP3 only)

SPECIFICATIONS

- Connection: 6 Pin Plug-in "Flying Lead" Connector (Included)
- Color: White
- Operating Voltage: 13.8 VDC
- Current Draw: ~30 mA Idle (low back light level, sounder silent)
~85 mA Fully Active (max. back light)
- M1KP2 Size: 4.658" W x 5.5" H x .95" D (.375" D if recessed)
M1KP3 Size: 3.97" W x 5.425" H x 1.19" D

Features and Specifications subject to change without notice.

ACCESSORIES

- ELK-W039A - 2 Wire Cable Assembly for connecting an External Prox Reader such as the ELK-106055
- ELK-M1BBK2 - Back Box for recess mounting M1KP2 ONLY!



Side profile of ELK-M1KP2 surface mounted vs. flush mounted with ELK-M1BBK2 Kit.



ELK-M1KP2



ELK-M1KP3
w/door open

INSTALLATION AND ENROLLMENT OF KEYPAD

Ideal keypad mounting height is 50-58 inches above the floor. Select a location with an ambient temperature range between 32° and 120° F (0° to +49° C). Avoid direct sunlight if possible. CAT5 or CAT6 wire (4 pair, 8 conductor) is highly recommended for all data bus cables and the extra wires may be required for data return paths where multiple homeruns or devices are installed. **NOTE: Please refer to the M1 or EZ8 Installation Manual for important information about Data Bus termination when multiple homerun cables are installed.** Minimum conductor size is 22 or 24 gauge. Maximum resistance per wire is 25 Ohms. Device placement beyond 1000' is not recommended. **DO NOT SPLICE OR CONNECT WIRES WITH THE CONTROL POWER ON.**

1. Fasten mounting plate to electrical box (or directly to wall) using flat head screws to prevent shorts to the back of the circuit board.
2. Splice the Black, Red, White, and Green wires of the plug-in connector to the data bus cable. Plug connector into keypad. Tuck wires neatly into back plate and install Keypad on mounting plate using the provided #4 plastite screws. Snap on the picture frame trim ring with the edge having the two notches facing down.

Setting the Data Bus Address and Enrolling Device(s) into the System

Keypads and expander devices communicate with the control over the RS-485 4-wire data bus. Each device must have a unique address setting (from 1 to 16) within it's device type. Keypads are device TYPE 1, input (zone) expanders TYPE 2, output expanders TYPE 3, etc. The purpose of device types is so that the address numbers can be re-used in each different device type. It is OK to have a Keypad, a Zone Expander, and a Output Expander all set to address 2 and on the same data bus since each device is a different device type. It is NOT OK to have duplications of addresses within the same device type. I.E. Multiple keypads on the same control cannot be set to 'like' addresses.

SETTING THE ADDRESS: From the factory all keypads are set to address 1. Valid keypad addresses are 1 to 16. The first keypad on the system (Keypad 1) is automatically enrolled upon power up. Each additional keypad must be assigned a unique address and then manually enrolled from "Menu 1 - Bus Module Enrollment". (See M1 Instruction Manual, Menu 01, for complete instructions on Bus Module Enrollment)

1. Press and hold the " * " key for 10 seconds until the LCD displays:

Exit when done. F1 Set Addr. (This is Keypad setup mode)

NOTE: This mode may also be accessed by removing power from the keypad (unplugging the data bus cable) and then applying power while holding any key pressed.

2. Press the F1 key to display the current address setting.
3. Set the desired address by entering a number from 1 to X.
4. Press the Exit key when done.

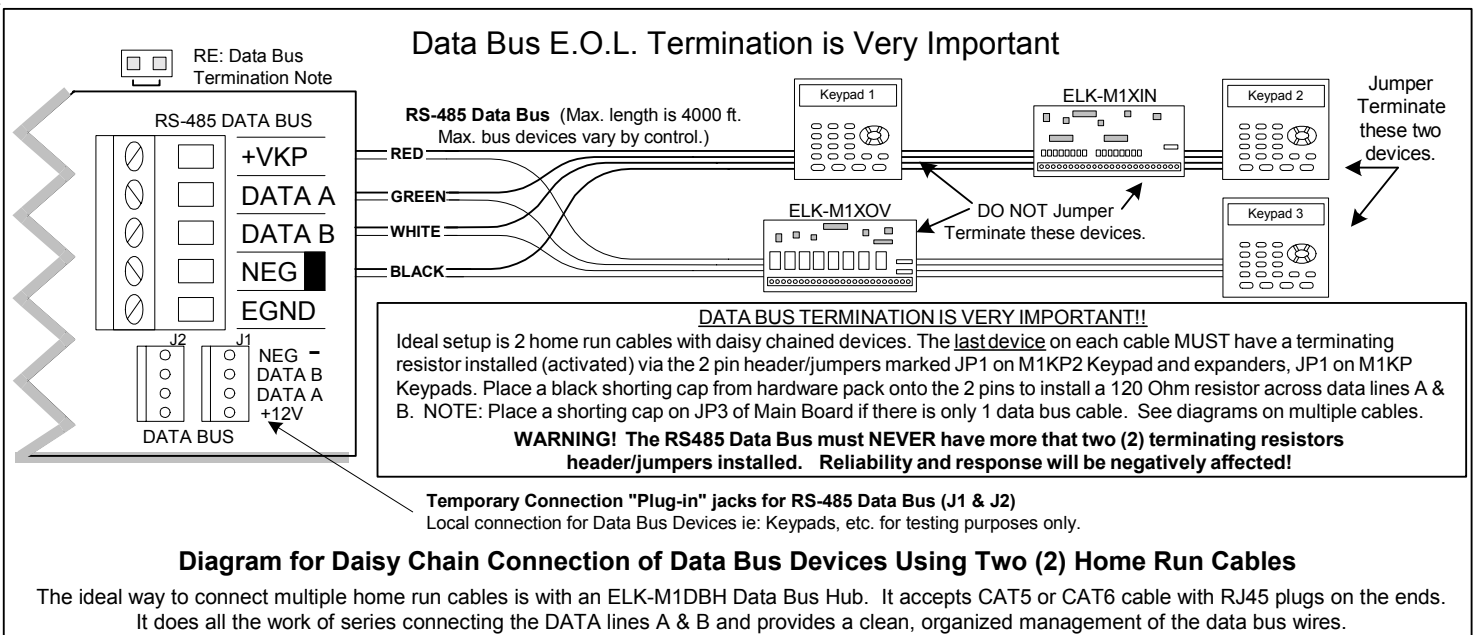
ENROLLING:

1. Press the ELK/MENU key, then 9 (or scroll up) to display 9 - Installation Programming. Press the RIGHT arrow key to select this menu. The Installer Program Code (PIN) must be entered to access this menu.
2. Enter the Installer Program Code. (See M1 Manual for the default Code)
3. The first Installer Programming menu displayed will be "Bus Module Enrollment"
4. Press the RIGHT arrow key to select this menu. "Enrolling Bus Modules" will display
5. The M1 will transmit an enrollment message to all data bus devices, following by a display showing the total Bus Modules that are enrolled. To view the enrolled devices and/or remove a device press the RIGHT arrow key to select Edit mode.
6. Press the * or Exit keys to exit Installer Programming.

**Auth. Required
Enter Valid Pin**

**01-Bus Module
Enrollment**

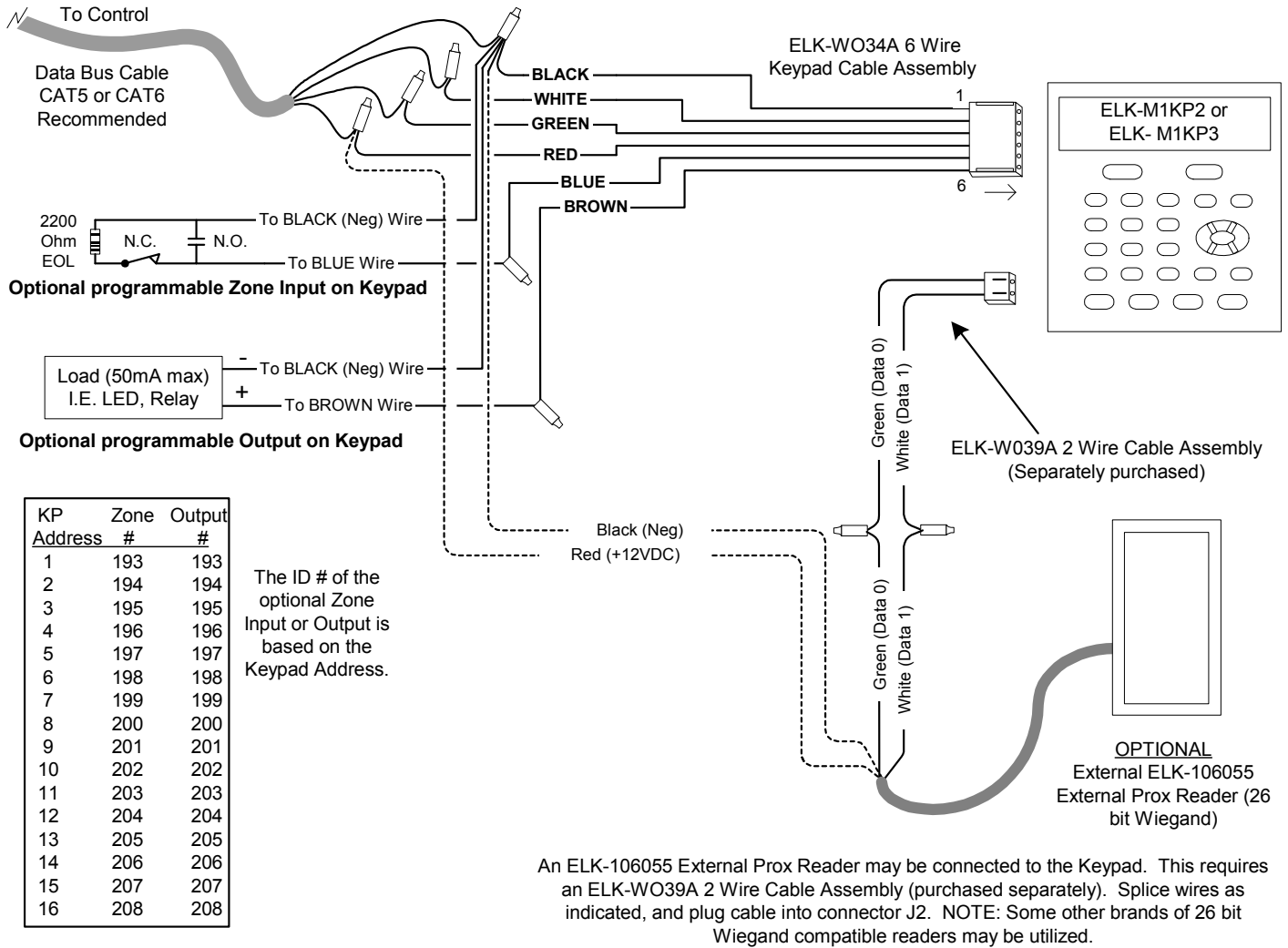
**XX Bus Modules
Enrolled, Edit**



Hookup Diagram for M1KP2 / M1KP3 Keypads

(see M1/EZ8 Instruction Manuals for multiple Keypad hookups.)

Splice wires from data bus cable to Keypad assembly using ELK-900-2 "B" Connectors.



INSTALLING AN EXTERNAL PROXIMITY CARD READER (OPTIONAL)

1. Turn Off the control panel power. Remove the Keypad from its mounting plate and disconnect the 6 wire cable assembly.
2. Splice the Red (+) and Black (-) wires from the external prox reader to the Red and Black wires of the data bus and the 6 wire cable assembly.
3. Splice the Green (data 0) and White (data 1) wires from the external prox reader to the Green and White wires of connector W039A.
4. Turn On the M1 Master Power Switch and follow the instructions for enrolling cards or fobs.

ENROLLING PROX CARDS AND FOBS

Prox cards/fobs are enrolled into a User Code location using the same procedures used to add/change User Code PINs.

1. Press the **ELK** or **Menu** key, then press the **6** key (or scroll up) to display **6 - Change User Codes**. Press the **RIGHT** arrow key to select this menu. A Master user code (PIN) must be entered to gain access to this menu.
2. Enter the three digit number of the desired User Code location (001 to 099) or use the UP or DOWN arrow keys to scroll through the codes. Then select **CHG** by pressing the **RIGHT** arrow key.
3. The keypad will display any existing 4 or 6 digit code that is programmed for this user along with any programmed name.
4. Present a new (not previously enrolled) prox card/fob to the reader. If accepted the Keypad will beep 3 times and display the card/fob 12 digit ID.
5. If the card/fob is rejected, a low error tone and **Code Not Authorized. Redo** will display. Causes for reject include: A. The card/fob has already been enrolled (duplicate codes are not allowed) OR B. The facility code in the card/fob does not match the reader facility code. A prox reader can only read cards/fobs with a matching facility code.
6. Once a prox card/fob is enrolled in a user code location, its capabilities are set by the User Code Options found in Menu 02 of the M1 Installer Level Programming. The commonly used options are: Arm the M1 Control, Disarm the M1 Control, or Access event.

An Access event occurs when a valid prox card/fob is read at a keypad. It will not do anything unless included in a Whenever/And/Then Rule from the Elk-RP software. An Access event can be used to create virtually any desired reaction. i.e., turn on an output, a light, close/open a relay, etc. The following is an example of a rule which will turn on Output 003 for 10 seconds whenever a valid prox card/fob (with Access Option enabled) is presented at Keypad 01. This output could be used to break or make power to a door strike.

**WHENEVER Keypad 01 Access is Activated
THEN Turn On Output 003 for 10 seconds.**

