

GCS / GCC Series

Selectable Candela Evacuation Signals

24 VDC Commander4 Strobe and Horn/Strobe

24 units per carton, 29 pounds per carton

Applications

The Commander4 Series is a ceiling mount strobe or horn/strobe combination that offers dependable audible and visual alarms and the lowest current consumption.

The GCS/GCC offers tamperproof field selectable candela options of 15, 30, 75, 95, 115 and 150 candela. The GCC horn offers a continuous or synchable temporal three in 2400Hz and mechanical tones. All tones are easy for the professional to change in the field by using switches.

The Commander4 Series comes standard with the 4" mounting plate which incorporates the popular Super-Slide® feature that allows the installer to easily test for supervision. The product also features a locking mechanism which secures the product to the bracket without any screws showing. The Commander4 also features the patented Checkmate® instant voltage verification feature which allows the installer to check the voltage drop draw and match it to the blueprint.

The GC Series appliances are ANSI/UL 464, ANSI/UL 1971, CAN/ULC S525 and/or CAN/ULC S526 listed for use with fire protective systems and are warranted for three years from the date of purchase.

Standard Features

- Nominal voltage 24 VDC
- Tamperproof field selectable candela options of 15, 30, 75, 95, 115 & 150
- Unit Dimensions: 6" (15.24 cm) x 2.6" (6.604 cm)
- Super-Slide® Bracket, Ease of Supervision Testing
- Checkmate® Instant Voltage Verification
- Prewire entire system, install mounting bracket, then install signals
- Documented lower installation and operating costs
- Input terminals 12 to 18 AWG
- Horn/strobe switch selection for high or low dBA
- Horn/strobe switch selection for 2400Hz or mechanical tone
- Horn/strobe switch selection for continuous or temporal 3
- Synchronize strobe and/or horn with Gentex AVSM Control Module
- Silence audible while visual appliance will remain flashing
- Tamperproof re-entrant grill
- Surface mount with the GCSB (Gentex Ceiling Surface Mount Box)
- Faceplate available in red or off-white
- Ceiling mount



Product Listings



- ANSI/UL 464 and ANSI/UL 1971 Listed
- CAN/ULC S525 and/or CAN/ULC S526 Listed
- FM Approved
- CSFM: 7135-0569:122 (GCC)
7125-0569:123 (GCS)
- MEA: 285-91-E

Patents

- 7,375,617 May 20, 2008

Product Compliance

- NFPA 72
- Americans with Disabilities Act (ADA)
- IBC/IFC/IRC
- City & State ordinances/Laws/Regulations
- Quality Management System is certified to:
ISO 9001:2008

GCS 24VDC Selectable Candela, Low Profile Evacuation Strobe

Model	Part Number	Voltage (VDC)	Candela
GCS24CR	904-1213-002	24	15, 30, 75, 95, 115, 150
GCS24CW	904-1215-002	24	15, 30, 75, 95, 115, 150
GCS24PCR	904-1214-002	24	15, 30, 75, 95, 115, 150
GCS24PCW	904-1216-002	24	15, 30, 75, 95, 115, 150

GCC 24VDC Selectable Candela, Low Profile Evacuation Horn/Strobe

Model	Part Number	Voltage (VDC)	Candela	Reverberant dBA @ 10ft.	Anechoic Room dBA @ 10ft.
GCC24CR	904-1209-002	24	15, 30, 75, 95, 115, 150	81-86 dBA	90 dBA
GCC24PCR	904-1210-002	24	15, 30, 75, 95, 115, 150	81-86 dBA	90 dBA
GCC24CW	904-1211-002	24	15, 30, 75, 95, 115, 150	81-86 dBA	90 dBA
GCC24PCW	904-1212-002	24	15, 30, 75, 95, 115, 150	81-86 dBA	90 dBA

R = Red Faceplate, W = White Faceplate.

All units are available in plain (no lettering).
Plain units are not returnable.

ALERT and AGENT bezels available for order.

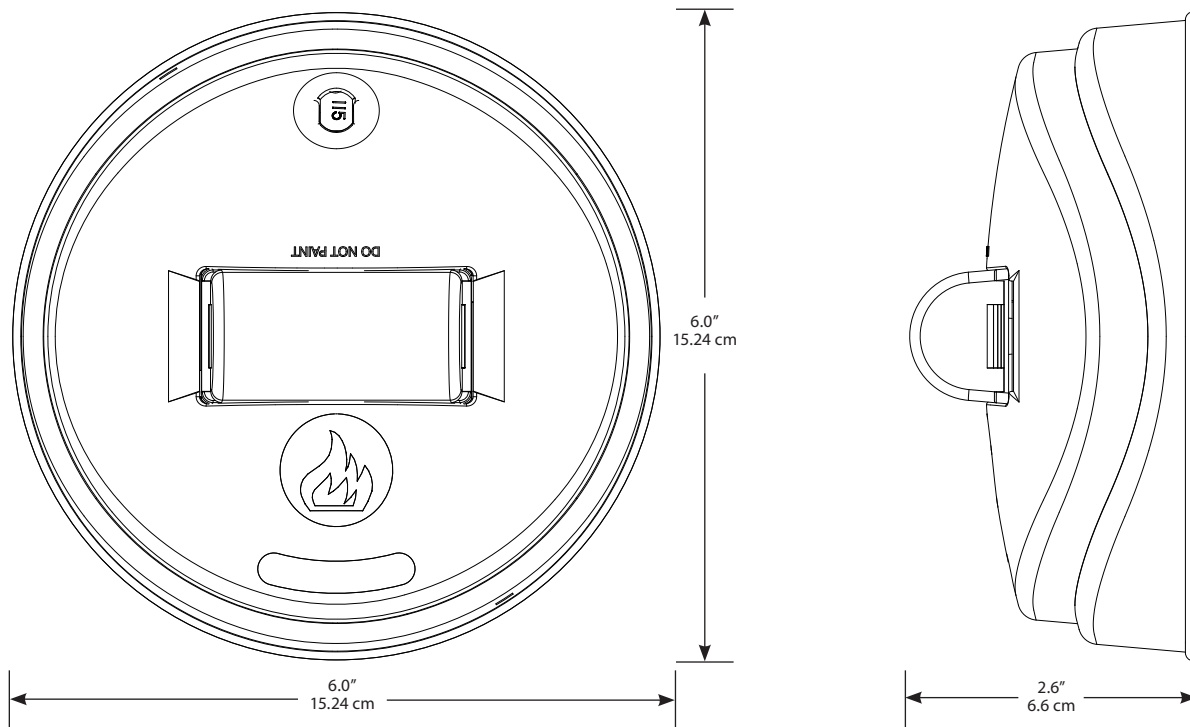
GCS / GCC 24 VDC Strobe Current Ratings (mA)

24 VDC (16-33 Volts)		
Candela	24 VDC	UL Max
15 Cd	97 mA	120 mA
30 Cd	97 mA	120 mA
75 Cd	143 mA	200 mA
95 Cd	148 mA	220 mA
115 Cd	201 mA	290 mA
150 Cd	205 mA	321 mA

GCC24 Product Horn Decibel (dBA) and Current Ratings (mA)

Horn Mode	Minimum SPL @ 10ft. per ANSI/UL 464 (HIGH)	Minimum SPL @ 10ft. per ANSI/UL 464 (LOW)	UL Max 24 VDC Operating Current (HIGH)
Temp 3 2400Hz	83 dBA	75 dBA	23 mA
Temp 3 Mechanical	81 dBA	73 dBA*	22 mA
Continuous 2400Hz	86 dBA	78 dBA	23 mA
Continuous Mechanical	84 dBA	76 dBA	22 mA

* Operating the horn in this mode at this voltage will result in not meeting the minimum ANSI/UL 464 reverberant sound level required for public mode fire protection service. These settings are acceptable only for private mode fire alarm use. Use the high dBA setting for public mode application (not applicable when using the chime tone. The chime tone is always private mode).



Gentex Super-Slide® Mounting Bracket

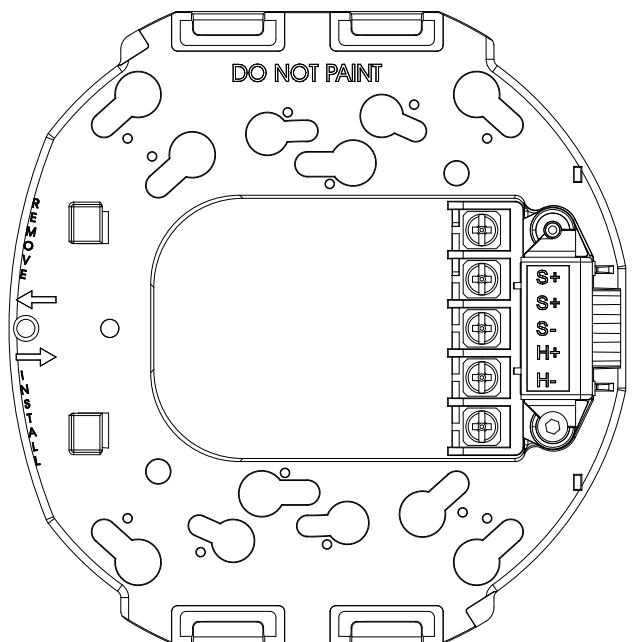
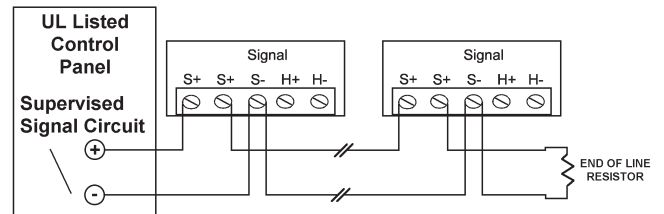
Allows the installer to prewire the system, test for system supervision, remove the signal head until occupancy, switch out Gentex signals without changing mounting brackets and has locking edge connector for snap-in-place installation.

Gentex Checkmate® Instant Voltage Verification

It is often necessary to confirm the voltage drop along a line of devices. The access holes are provided in the back of the terminal block to allow the voltage to be measured directly without removing the device. Typically this would be done at the end of the line to confirm design criteria. Most measurements will be taken using the S+ and S- locations although access is provided to other locations. *Notice: Care should be taken to not short the test probes.*

Notes

- Operating temperature: 32° to 120°F (0° to 49°C)
- The GCS/GCC Series is not listed for outdoor use
- For nominal and peak current across ANSI/UL regulated voltage range for filtered DC power and unfiltered (FWR [Full Wave Rectified]) power, see installation manual
- The sound output for the temporal 3 tone is rated lower since the time the horn is off is averaged into the sound output rating. While the horn is producing a tone in the temporal 3 mode, its sound pressure is the same as the continuous mode.
- This appliance is not recommended for use on coded or pulsing signaling circuits



GCS / GCC Series

Selectable Candela Evacuation Signals

Architect & Engineering Specifications

The audible and/or visible signal shall be Gentex model GCS, GCC or approved equal and shall be listed by Underwriters Laboratories (ANSI/UL) for use with fire protective signaling systems (ANSI/UL 1971 and/or ANSI/UL 464) and with CAN/ULC S526 and/or CAN/ULCS525 with intended use in fire alarm systems. The notification appliance (GCC) shall produce a peak sound output of 90 dBA or greater as measured at 24 VDC in an anechoic chamber and shall also have the capability to silence the audible signal while leaving the visible signal energized with the use of a single pair of power wires. Additionally, the user shall be able to select either continuous or temporal tone output with the temporal signal having the ability to be synchronized. The audible/visible and visible signaling appliance shall also maintain a minimum flash rate of 1Hz or up to 2Hz regardless of power input voltage. The strobe appliance shall have an operating current of 97 mA or less at 24 VDC for the 15 candela strobe circuit. The unit shall be polarized to allow for electrical supervision of the system wiring. The unit shall be provided with a mounting bracket with terminals with barriers for input/output wiring and be able to mount to a single gang or double gang box or double workbox with the use of an adapter plate. The GC Series shall be mounted on the ceiling. The unit shall have an input voltage range of 16-33 volts with either direct current or full wave rectified power. The appliance shall be capable of test supervision without disconnecting wires, verify voltage without removing unit and be capable of mounting to a surface back box.