

## MC-25 Window Channel Magnet



**MC-25**

Window Channel Magnet

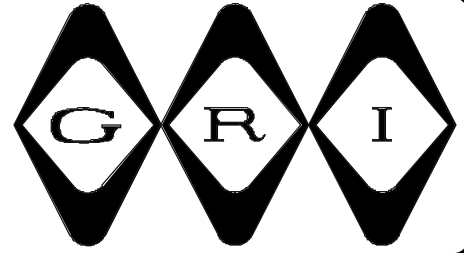
- The MC-25 Is Designed To Be Mounted In The Track Of Aluminum Windows & Sliders
- Rare Earth Magnet
- Fits Most Aluminum Tracks
- Grippers Hold Magnet In Place
- No Drilling Required
- 1/2" Gap When Paired With GRI's 3/8" Press-To-Fit Contacts
- Arrow Marks Polarity



**MC-25**

Window Channel Magnet

# MC-25 WINDOW CHANNEL SERIES



- ◆ The MC-25 Is Designed To Be Mounted In The Track Of Aluminum Windows & Sliders
- ◆ Rare Earth Magnet
- ◆ Fits Most Aluminum Tracks
- ◆ Grippers Hold Magnet In Place
- ◆ No Drilling Required
- ◆ Arrow Marks Polarity. Point Arrow Toward Switch.



2020-12



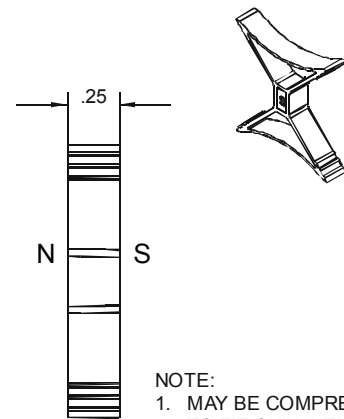
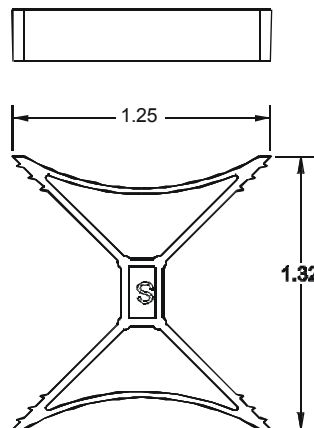
20RS-T



MC-25



150-12



NOTE:  
1. MAY BE COMPRESSED TO FIT CHANNELS FROM 5/16" TO 1".

PART NUMBERS:	GAP	PART NUMBERS:	GAP
MC2020-12	Up to 1/2"	MC120T-12	1/2" +
MC2020-T	Up to 1/2"	MC150-12	1/2" +
MC20RS-12	Up to 3/8"	MC150-T	Up to 1/2"
MC20RS-T	Up to 3/8"	MC5065	1/2" +
MC2120-12	Up to 1/2"	Other configurations available, please contact factory.	

## WARRANTY:

One year warranty against workmanship, material and factory defects.

GEORGE RISK INDUSTRIES, INC.  
GRI PLAZA  
KIMBALL, NE 69145



TOLL-FREE 1-800-445-5218  
TOLL-FREE 1-800-523-1227  
(308) 235-4645  
FAX (308) 235-3561  
E-MAIL: [grisales@megavision.com](mailto:grisales@megavision.com)  
WEB SITE: [www.grisk.com](http://www.grisk.com)