

AB135 Angled Base for Dome Camera



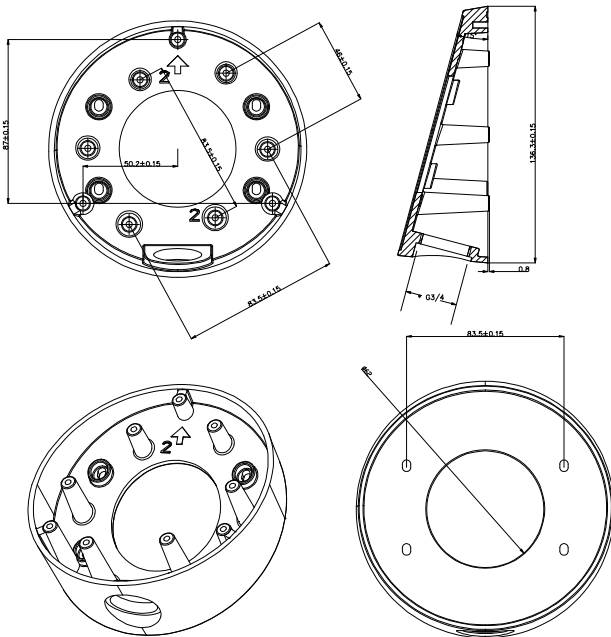
AB135	
Appearance	Hikvision white
Range of Application	For dome camera
Material	Aluminum alloy
Dimension	Φ136.3 mm x 20 mm (5.37" x .787")
Weight	238 g (8.39 ozs)

- NOTES:**
- Pay attention to color matching.
 - Install mount on flat wall.
 - The wall must be capable of supporting over three times as much as the total weight of the camera and the mount.
 - Maximum load capacity of the mount is 5 kg.

Key Features

- Aluminum Alloy Material with Surface Spray Treatment

Dimensions



NOTE: The actual bracket may vary from the picture above.

Fits the Following Cameras

DS-2CD41xxFxx-IZ
DS-2CD27x2FWD-IZS
DS-2CD27x2F-I

Order Model

AB135