

DS-K1T671TM-3XF

Temperature Screening Terminal

Hikvision's DS-K1T671TM-3XF terminal is an access control device integrated with high accuracy temperature screening. It can quickly measure skin-surface temperature and notify the user about abnormal readings. This product is perfect for many applications, including office buildings, transportation hubs, retail facilities, education centers, and many others.

Available Model

DS-K1T671TM-3XF



- Vanadium Oxide Uncooled Sensor Measures Target's Temperature
- Measuring Range: 86° to 113° F (30° to 45° C), Accuracy: ±0.5° C w/o Black Body Calibration
- Recognition Distance: 0.5 m to 1.5 m
- Fast Temp. Measurement Mode: Detects Face, Takes Skin-Surface Temp. w/o Identity Authentication
- Multiple Authentication Modes: Card/Temperature, Face/Temperature, Card/Face/Temperature, etc.
- Face Mask Detection: If Maskless Face Detected, Voice Reminder Prompt Sounds
 - Face Mask Alert: Authentication or Attendance Is Valid
 - Forced Mask Wearing Alert: Authentication or Attendance Fails
- Displays Temperature Measurement Results on Authentication Page
- Triggers Voice Prompt when Detecting Abnormal Temperature
- Configurable Door Status (Open/Close) when Detecting Abnormal Temperature
- Transmits Online and Offline Temperature Information to Client Software via TCP/IP Communication and Saves Data on Client Software
- Face Recognition Duration <0.2 s/User; Face Recognition Accuracy Rate ≥99%
- 50,000 Face Capacity, 50,000 Card Capacity, and 100,000 Event Capacity
- Suggested Height for Face Recognition: Between 1.4 m and 1.9 m
- Attendance Status: Check In, Check Out, Break In, Break Out, Overtime In, Overtime Out
- Watchdog Design and Tamper Function
- Audio Prompt for Authentication Result
- NTP, Manual Time Synchronization, and Auto Synchronization
- Connects to External Access Controller or Wiegand Card Reader via Wiegand Protocol
- Connects To Secure Door Control Unit via RS-485 Protocol To Avoid Door Opening if Terminal Destroyed
- Imports and Export Data to the Device from the Client Software

** Biometric recognition products are not 100% applicable to anti-spoofing environments. If you require a higher security level, use multiple authentication modes.*

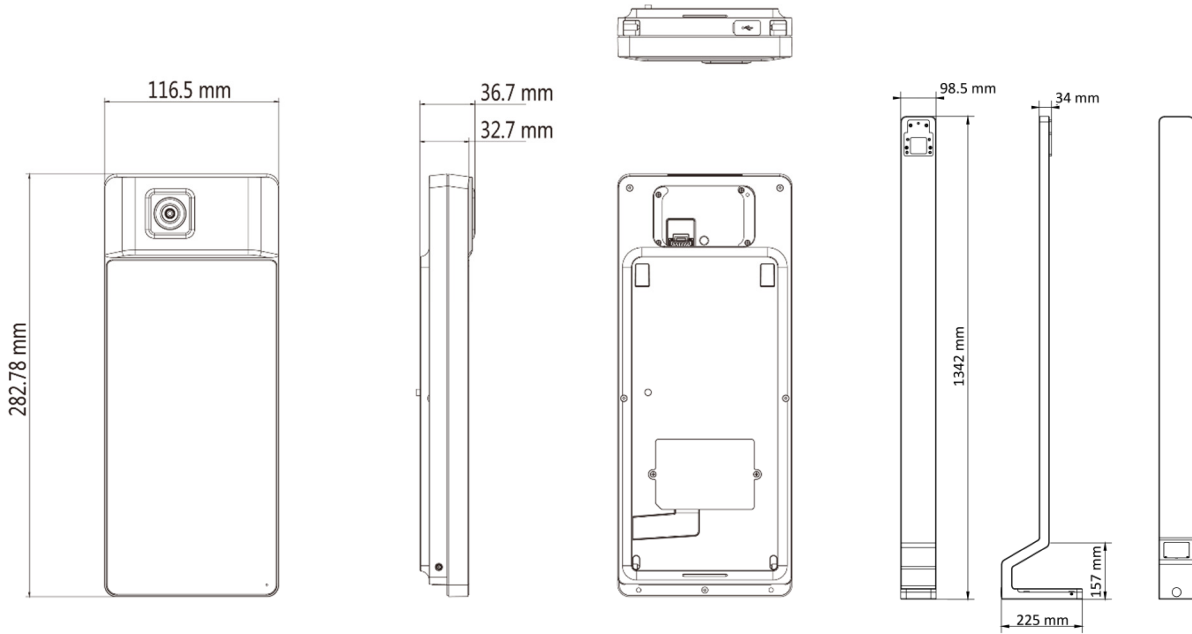
** In order to get an accurate temperature reading, wait 90 minutes for the device to warm up after the device is powered on.*

Specifications

Model	DS-K1T671TM-3XF	
Operating System	Linux	
Temperature Measurement	Sensor	Vanadium oxide uncooled sensor
	Resolution	120 × 160
	Frame Rate	25 fps
	Temperature Range	86° to 113° F (30° to 45° C)
	Temperature Accuracy	±0.9° F (±0.5° C) without black body calibration
	Measuring Distance	~1.6 ft to 5 ft (0.5 m to 1.5 m)
Screen	Screen	7 inch touch screen
	Ratio	16:9
	Resolution	1024 × 600
Camera	2 MP dual-lens camera, WDR	
Indicator	Supported	
Face	Recognition Mode	Face: 1:1 and 1:N
	Face Capacity	50,000
	Face Recognition Duration	<0.2 s per person
	Face Recognition Distance	~1.6 ft to 5 ft (0.5 m to 1.5 m)
Card	Card Capacity	50,000
	Card Type	M1 card
	Card Presenting Duration	<1 s
	Card Presenting Distance	0" to 1.97" (0 cm to 5 cm)
Event Capacity	100,000	
Interface	Network × 1, RS-485 × 1, Wiegand × 1, USB × 2, alarm output × 1, alarm input × 2, lock × 1, door contact × 1, exit button × 1, tamper × 1	
Network	10/100/1000 Mbps self-adaptive	
Tamper	Supported	
Other	Working Voltage	12 VDC/2 A
	Working Temperature	32° to 122° F (0° to 50° C) For temperature measurement: 50° to 95° F (10° to 35° C)
	Working Humidity	10% to 90% (Non-condensing)
	Application	Indoor
	Application Environment	Indoor and windless environment use only
	Brackets	Wall mount (included) Floor Stand (DS-KAB671-B): Purchase separately

* **WARNING:** Do not expose the equipment to direct sunlight, low ventilation, or a heat source such as a heater or radiator (ignoring this warning can cause fire danger).

Dimensions



Floor Stand, DS-KAB671-B
(Not Included)