

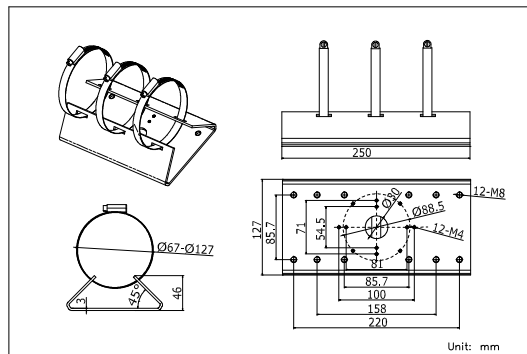
PM Camera Pole Mount Adapter



Features

- Used for Pole Mounting
- Stainless Steel Clasp
- Aluminum Die-Cast Alloy Mounting Board

Dimensions



Specifications

	PM
Appearance	Hikvision white
Range of Application	It can be used with some wall mount brackets Size of clamp: $\varnothing 67$ mm to 127 mm (2.64" x 5")
Material	Aluminum alloy
Dimensions	127 mm x 46 mm x 250 mm (5" x 1.81" x 9.84")
Weight	1205 g (2.66 lbs)

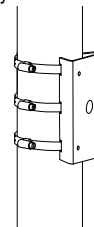
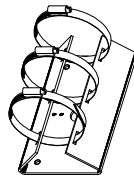
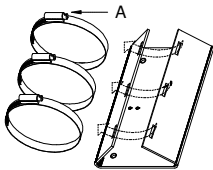
NOTES: The screw hole sites should be noted when using adapter with wall mount bracket.

Pole's load capacity should be more than three times the weight of camera and bracket.

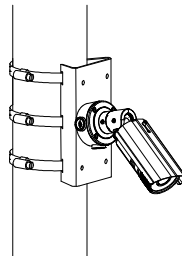
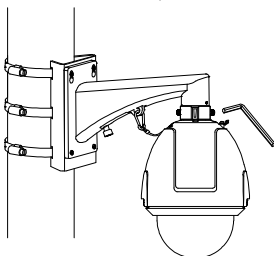
Clamp's load capacity is 6.5 kg.

Installation

1. Counter-rotate the rotary knob (A) to open the clamp.
2. Thread the clamp through the mounting board holes.
3. Clasp the clamp around the pole and rotate the rotary knob clockwise to tighten.



4. Optional: Adapter can be used with some wall mount brackets for vertical pole mounting, as follows:



NOTE: The actual bracket may vary from the picture above.

Order Model

PM