

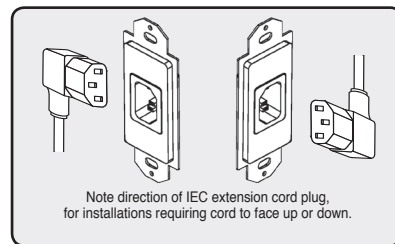
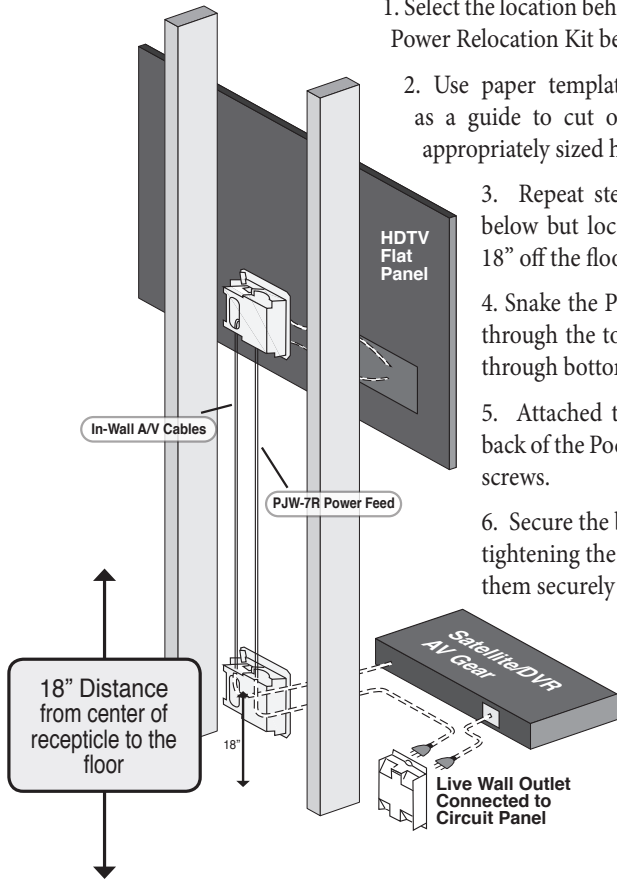
Contents :

- (2) #8 5/16" Hi-Lo Screws
- (2) Pocket Plate Recessed Boxes with pre-installed Décor Brush Plates
- (1) PJW-7R Premise Powered Power Feed
- (1) Right Angle IEC 60320 CY13 to NEMA 5-13P Cord Set

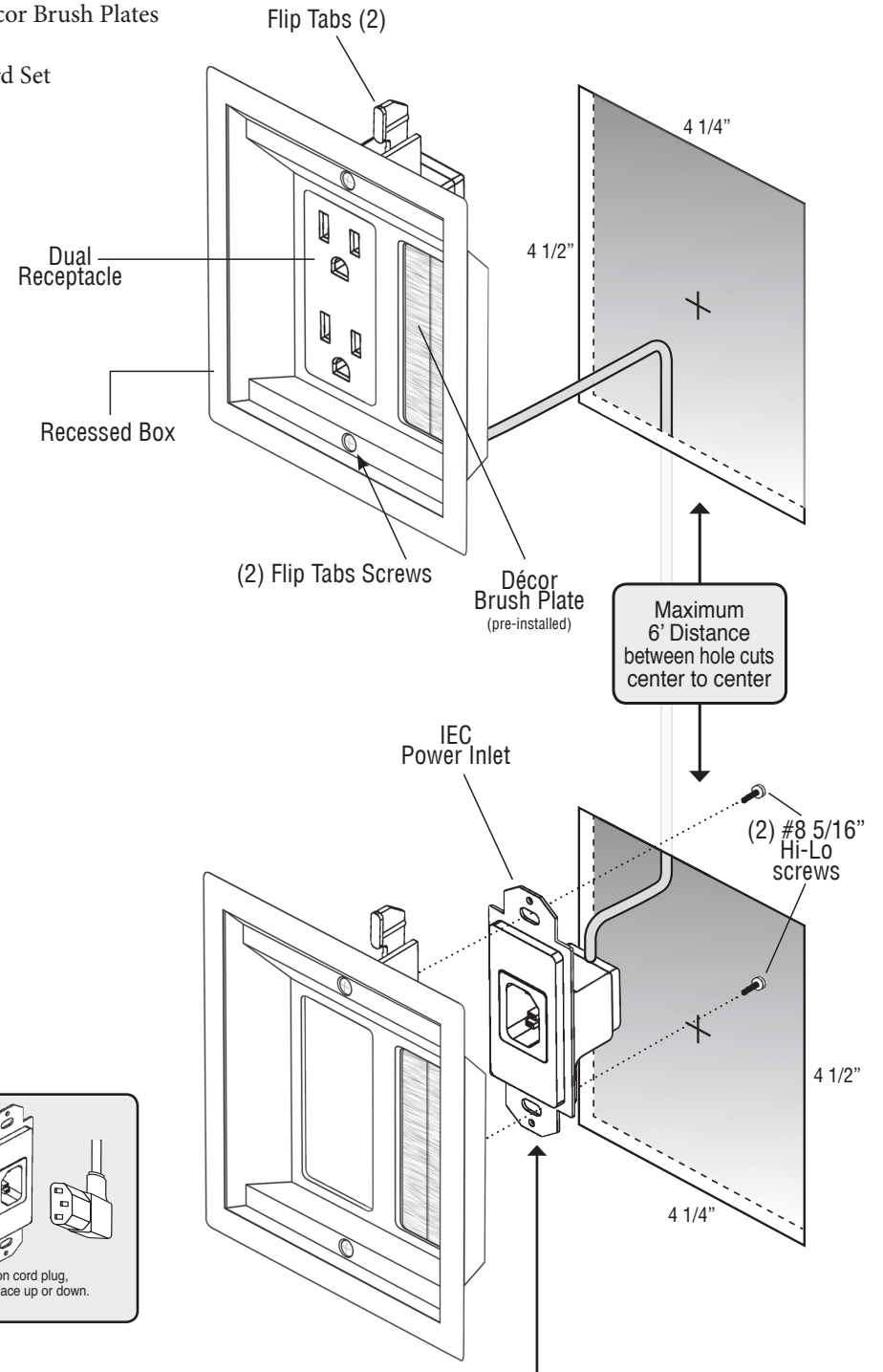
| Tools Needed | |
|------------------------------|-------------------|
| 1. Drywall Hole Saw | 4. Pencil |
| 2. Phillips Head Screwdriver | 5. Measuring Tape |
| 3. Level | 6. Stud Finder |

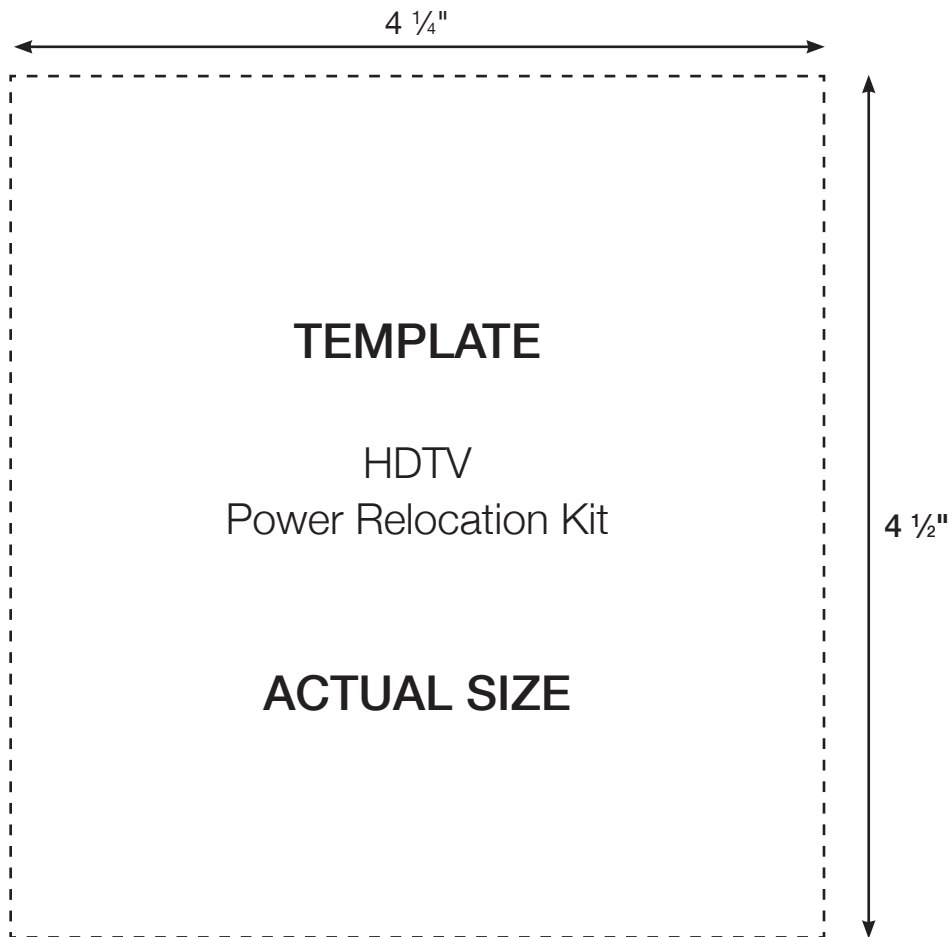
The In-wall HDTV "Power Extender" Power Feed is used to easily relocate power to your flat panel mounted on the wall from a premise powered receptacle nearby. The Duplex Receptacle of the Power Feed is installed behind the HDTV and the IEC end is located below in the same stud bay mounted on the wall. Using the IEC power cord set (included), plug it into the IEC power inlet of the "Power Extender" and plug the other end (NEMA 3 Prong Plug) into a live electrical receptacle within 6 feet.

1. Select the location behind the HDTV to install the Power Relocation Kit between two studs.
2. Use paper template (on back of this page) as a guide to cut out hole in wall. Cut the appropriately sized hole for the recessed box.
3. Repeat step 2 in the same stud bay below but locate the hole approximately 18" off the floor.
4. Snake the Power Feed (IEC end) down through the top hole in the wall and pull through bottom hole.
5. Attached the IEC Power Inlet to the back of the Pocket Plate box with supplied screws.
6. Secure the boxes to the wall by tightening the flip tab screws to pull them securely against the drywall.



Instructions / Installation Sheet
MIDLITE[®] HDTV Power Relocation Kit





WARNING

MIDLITE® products shall be installed and used only as indicated in MIDLITE® product instruction sheets. Instruction sheets are available online at www.midlite.com.

CAUTION For shock protection, this device must be properly grounded. Use copper wire only with this device.

IMPORTANT INSTRUCTIONS

Read and understand all instructions. Follow all warnings and instructions marked on the product. Remember this product is not part of your home's electrical wiring system Do not install in areas near water such as swimming pools, baths, sinks, showers, tubs and wet basements.

SAVE THESE INSTRUCTIONS.



Multiple patents pending.
RoHS Compliant.

Conforms to STD 514D and Certified
CSA STD 22.2 No. 42.1-00

IMPORTANT INSTRUCTIONS:

- Use the local electrical code approved installation when installing this product.
- The electrical parts in this kit are designed to complete the installation. Individual use of these devices may be used in accordance to National Electric Code Requirements.
- This kit is not designed to be powered directly to the circuit panel.
- This installation is live (electrically energized) only when the supplied extension cord receptacle end is plugged to the power inlet and the plug end is connected to a live wall outlet or surge suppressor that is plugged into a live wall outlet.
- If you are not familiar with home wiring systems, please call a qualified electrician to install this product
- This Power Feed is not designed to be used as an extension cord outside the wall. Miss use of this power feed can result in FIRE or DEATH by ELECTRICAL SHOCK. Please read these instructions carefully and follow ALL Directions.

Before USE:

- A Cord set Not Marked for Outdoor or outside the wall use is to be used behind a wall in an indoor wall only.
- Inspect thoroughly before installation. DO NOT USE IF DAMAGED.
- Look for number of watts on Appliance to be plugged into Power Extender.
- See the label on Power Extender for Specific Wattage.
- Insure the receptacle you intend to plug the Power Extender into is not more than 15 AMPS and connected to the circuit panel with a 15 Amp Circuit Breaker.
- Do not plug more than the specified watts into this Power Extender.
- Make sure Appliance is off before connecting Cord to outlet.
- Fully plug into Outlet.
- Do not remove bend or modify any metal prongs or pins of Power Extender.
- Install Power Extender Ends into a NEMA Standard formatted Mounting Device only.
- Insure Mounting devices are securely fastened to the wall and Power Extender is securely fastened to the Mounting device.
- Fully insert plug into Outlets on all connections
- Do not use excessive force to Make Connections.
- Do not connect a three prong plug into a 2 hole cord.
- THIS is A POLARIZED POWER FEED.
- Insure Installation meets all NEC code requirements. If unsure consult a licensed electrician.

During Use:

- Keep away from water.
- Do not use when wet.
- Keep Children and pets away from Power Jumper and IEC Cord Set
- Do not plug multiple extension cords from either end. Plug only the cord set that comes with the Appliance into the Duplex Receptacle of the "Power Extender" and an IEC to NEMA 5-13P Cord Set into the IEC Power Inlet of the "Power Extender" to a surge protector or a live 15 amp receptacle.
- Do not over bend or apply excessive tension on either cord set plugged into the Power Jumper ends.

Product Use and Intended Application: Product shall be used in dry indoor premise or commercial wiring in behind and permanently affixed to the interior wall, and be installed or fished in air voids, and joints, and masonry block or tile walls where such walls are not exposed to, nor subject to, excessive moisture or dampness. The Power Extender enables the installer to feed power to a HDTV mounted to the wall via an extension cord plugged into the IEC end and then plugged into a live receptacle from an electrical branch wired to the circuit panel. The product comes prewired so there is no wiring required by the installer.

SPECIFICATIONS:

Model Similarities – Length and Color, Black and White, 7, 8, 9, 10, 13, 15 feet.;
Power Extender Electrical Rating 15 Amp, 125 Vac, 60Hz, 14 AWG Conductor, NEMA 5-15R Receptacle connected to a IEC 60320 CY14 power inlet.
Power Jumper Assembly Insulated Cable meets UL 514D, CSA STD 22.2 42.1-00
Power Jumper Assembly meets NEC Code: 250.146(D), Isolated Receptacles.
Power Jumper Assembly Cable, Type NM-B (Non-metallic sheathed cable) has a broad range of usage as defined in Article 334 of the National Electrical Code (NEC).
The Power Jumper is compatible to NEC Article 300.15 (E) Integral Enclosure and NEC 334.40 (B) Devices of Insulating Material and other NEC code requirements suitable for it intended application.
All Components used in the Power Jumper Cable assembly are UL rated for its intended application.