



by Schneider Electric

INSTALLATION

EH1512 Series Enclosures



EH1512 Enclosure with EM1512 Mount

C3453M-D (5/11)

Contents

- Important Safety Instructions 3

- Description 4
 - Models 4
 - Optional Accessories 5
 - Package Contents 6

- Installation 7
 - Installing the Optional Security Kit 7
 - Installing the Camera and Mount 7
 - Installing the Sun Shroud 11

- Maintenance 12

- Specifications 13

Important Safety Instructions

1. Read these instructions.
2. Keep these instructions.
3. Heed all warnings.
4. Follow all instructions.
5. Do not use this apparatus near water.
6. Clean only with dry cloth.
7. Do not block any ventilation openings. Install in accordance with the manufacturer's instructions.
8. Do not install near any heat sources such as radiators, heat registers, stoves, or other apparatus (including amplifiers) that produce heat.
9. Do not defeat the safety purpose of the polarized or grounding-type plug. A polarized plug has two blades with one blade wider than the other. A grounding plug has two blades and a third grounding prong. The wide blade or the third prong are provided for your safety. If the provided plug does not fit into your outlet, consult an electrician for replacement of the obsolete outlet.
10. Protect the power cord from being walked on or pinched particularly at plugs, convenience receptacles, and the points where they exit from the apparatus.
11. Only use attachments/accessories specified by the manufacturer.
12. Only use with the cart, stand, tripod, bracket, or table specified by the manufacturer, or sold with the apparatus. When a cart is used, use caution when moving the cart/apparatus combination to avoid injury from tip-over.
13. Refer all servicing to qualified service personnel. Servicing is required when the apparatus has been damaged in any way, such as power-supply cord or plug is damaged, liquid has been spilled or objects have fallen into the apparatus, the apparatus has been exposed to rain or moisture, does not operate normally, or has been dropped.
14. Unplug the apparatus during lightning storms or when unused for long periods of time.
15. Apparatus shall not be exposed to dripping or splashing and no objects filled with liquids, such as vases shall be placed on the apparatus.
16. **WARNING:** To reduce the risk of fire or electric shock, do not expose this apparatus to rain or moisture.
17. Installation should be done only by qualified personnel and conform to all local codes.
18. Unless this unit is specifically marked as NEMA Type 3, 3R, 3S, 4, 4X, 6, or 6P enclosure, it is designed for indoor use only and it must not be installed where exposed to rain and moisture.
19. Only use installation methods and materials capable of supporting four times the maximum specified load.
20. Only use replacement parts recommended by Pelco.
21. Do not use attachments, such as mounts, that are not recommended by Pelco. They may be hazardous.
22. A CCC-approved power cord must be used to power this equipment when used in China.

The product and/or manual may bear the following marks:



This symbol indicates that dangerous voltage constituting a risk of electric shock is present within this unit.



This symbol indicates that there are important operating and maintenance instructions in the literature accompanying this unit

CAUTION:
RISK OF ELECTRIC SHOCK. DO NOT OPEN.

Description

The EH1512 Series indoor/outdoor enclosures are designed for use with small- to medium-sized analog and IP cameras. They will accommodate both fixed and variable focal length lenses (with or without auto iris operation). They can be wall mounted using either Pelco's EM1512 (feedthrough wall mount) or any light to medium duty mount.

The tethered, removable enclosure lid provides easy access during installation and when camera and lens adjustments are necessary. Power and video cabling is brought into the enclosure through two adjustable glands (PG9 and PG11) on the bottom of the enclosure, allowing for easy installation.

Field-installed options include a heater/blower or blower with a 24 VAC camera power supply and sun shroud. The enclosures can also be ordered from the factory with a 24 VAC, 120 VAC, or 230 VAC heater/blower or blower with a 24 VAC camera power supply. If your enclosure has a thermostatically controlled heater, the thermostat is set to turn on at 50°F (10°C) and turn off at 80°F (27°C). The blower operates continuously.

An optional security kit that prevents opening the enclosure is available.

NOTE: A metric Allen wrench (5 mm) and a Phillips screwdriver are required for installation but are not included. A flat head screwdriver might also be needed for all models except the EH1512 and EH1512MT. The Allen wrench is needed to secure the enclosure to all mounts. It is also needed to open and close the enclosure and to secure the pan/tilt (swivel head) on the EM1512 mount.

MODELS

EH1512	Enclosure, indoor/outdoor.
EH1512MT	Same as EH1512 with an EM1512 feedthrough wall mount.
EH1512-1	Same as EH1512 with a 120 VAC heater/blower with 24 VAC camera power (includes the 4-inch wire tie); 12 W enclosure power consumption*; 25 W maximum power consumption capacity. For use with Sarix® cameras only.
EH1512-1L	Same as EH1512 with a 120 VAC heater/blower with 24 VAC camera power (includes the 4-inch wire tie); 12 W enclosure power consumption*; 25 W maximum power consumption capacity. For use with non-Sarix cameras rated 5 W or less.
EH1512-2	Same as EH1512 with a 24 VAC heater/blower with 24 VAC camera power; 12 W enclosure power consumption*.
EH1512-3	Same as EH1512 with a 230 VAC heater/blower with 24 VAC camera power (includes the 4-inch wire tie); 12 W enclosure power consumption*; 25 W maximum power consumption capacity.
EH1512-1MT	Same as EH1512 with a 120 VAC heater/blower with 24 VAC camera power and an EM1512 feedthrough wall mount (includes the 4-inch wire tie); 12 W enclosure power consumption*; 25 W maximum power consumption capacity. For use with Sarix cameras only.
EH1512-1LMT	Same as EH1512 with a 120 VAC heater/blower with 24 VAC camera power and an EM1512 feedthrough wall mount (includes the 4-inch wire tie); 12 W enclosure power consumption*; 25 W maximum power consumption capacity. For use with non-Sarix cameras rated 5 W or less.
EH1512-2MT	Same as EH1512 with a 24 VAC heater/blower with 24 VAC camera power and an EM1512 feedthrough wall mount; 12 W enclosure power consumption*.
EH1512-3MT	Same as EH1512 with a 230 VAC heater/blower with 24 VAC camera power and an EM1512 feedthrough wall mount (includes the 4-inch wire tie); 12 W enclosure power consumption*; 25 W maximum power consumption capacity.
EH1512-1MTS	Same as EH1512 with a 120 VAC heater/blower with 24 VAC camera power, an EM1512 feedthrough wall mount (includes the 4-inch wire tie), and an SS1512 sun shroud; 12 W enclosure power consumption*; 25 W maximum power consumption capacity. For use with Sarix cameras only.
EH1512-1LMTS	Same as EH1512 with a 120 VAC heater/blower with 24 VAC camera power, an EM1512 feedthrough wall mount (includes the 4-inch wire tie), and an SS1512 sun shroud; 12 W enclosure power consumption*; 25 W maximum power consumption capacity. For use with non-Sarix cameras rated 5 W or less.
EH1512-2MTS	Same as EH1512 with a 24 VAC heater/blower with 24 VAC camera power, an EM1512 feedthrough wall mount, and an SS1512 sun shroud; 12 W enclosure power consumption*.
EH1512-3MTS	Same as EH1512 with a 230 VAC heater/blower with 24 VAC camera power, an EM1512 feedthrough wall mount (includes the 4-inch wire tie), and an SS1512 sun shroud; 12 W enclosure power consumption*; 25 W maximum power consumption capacity.

*Enclosure power consumption does not include camera wattage.

OPTIONAL ACCESSORIES

Blower Kit

EH1512-1BKIT	Continuous duty, 120 VAC, 1 W, 1.45 cfm
EH1512-2BKIT	Continuous duty, 24 VAC, 1 W, 1.45 cfm
EH1512-3BKIT	Continuous duty, 230 VAC, 1 W, 1.45 cfm

Heater/Blower Kit

EH1512-1HBKIT	120 VAC, 11 W, 1.45 cfm
EH1512-2HBKIT	24 VAC, 11 W, 1.45 cfm
EH1512-3HBKIT	230 VAC, 11 W, 1.45 cfm

NOTE: Heaters are thermostatically controlled to turn on at 50°F (10°C) and turn off at 80°F (27°C). The blower operates continuously.

Sun Shroud	SS1512
Marine Kit	EH-MKIT (requires EM1512 or EM1450 wall mount)
Security Kit	EH-SKIT for EH1512 (three tamper-resistant screws and one 1/8-inch hollow screwdriver bit)
Wall Mount	EM1512 with feedthrough for EH1512 (tilt angle of +20° to -70°; sustains wind velocity up to 90 mph)

PACKAGE CONTENTS

NOTE: A metric Allen wrench (5 mm) is required for installation but is not included. A Phillips screwdriver, flat head screwdriver, or 1/4-inch nut driver is needed for the EH1512-1, EH1512-1L, and EH1512-3 only. The Allen wrench is needed to open and close the enclosure and to secure the enclosure to all mounts. It is also needed to secure the pan/tilt (swivel head) on the EM1512 mount.

The following items are supplied:

Qty	Description
1	EH1512 Series enclosure
1	Screw, 1/4-20 x 3/8-inch, Phillips
1	Washer, 1/4-inch split lock
2	Screws, M6 x 1.0 P x 12 mm, hex socket cap
2	Washers, 6 mm split lock
1	Gland and nut, PG9 cable
1	Gland and nut, PG11 cable
1	Wire tie, 4-inch (EH1512-1, EH1512-1L, and EH1512-3 only)
1	Installation manual
1	EM1512 mount (optional)
1	SS1512 sun shroud (optional)

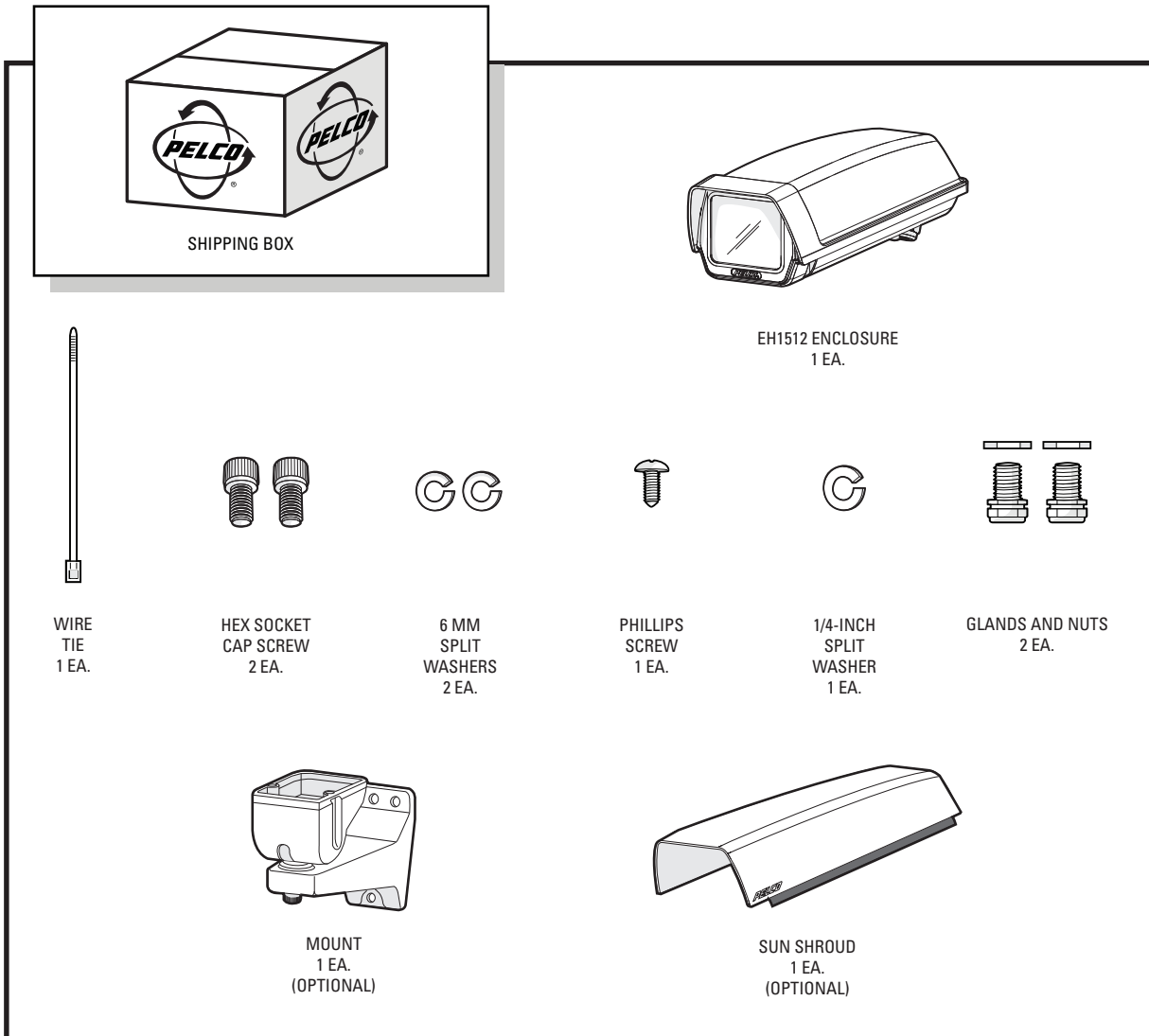


Figure 1. Package Contents

Installation

INSTALLING THE OPTIONAL SECURITY KIT

The optional security kit (EH-SKIT) contains three tamper-resistant screws and a 1/8-inch hollow screwdriver bit. To install the security kit:

1. Use a 5 mm Allen wrench (not supplied) to remove the three 10-24 x 0.75-inch hex head screws (factory installed) that are located on the enclosure base. (Refer to Figure 2.)
2. Insert the three tamper-resistant screws in the bottom of the enclosure.
3. Tighten the screws using the 1/8-inch hollow screwdriver bit (supplied). Ensure that the gasket is properly sealed.

INSTALLING THE CAMERA AND MOUNT

To install the enclosure, camera, and lens:

1. Use a 5 mm Allen wrench (not supplied) to loosen the three 10-24 x 0.75-inch hex head screws (factory installed) that are located on the enclosure base. If the security kit is installed, use the 1/8-inch hollow screwdriver bit (supplied with the kit) to loosen the three tamper-resistant screws that are located on the enclosure base.
2. Lift up and remove the lid (refer to Figure 2). Hang the lid from the front of the enclosure base by the lanyards.

NOTE: The gasket can come loose when the lid is removed. Be sure to properly reseal the gasket when closing the lid, if necessary.

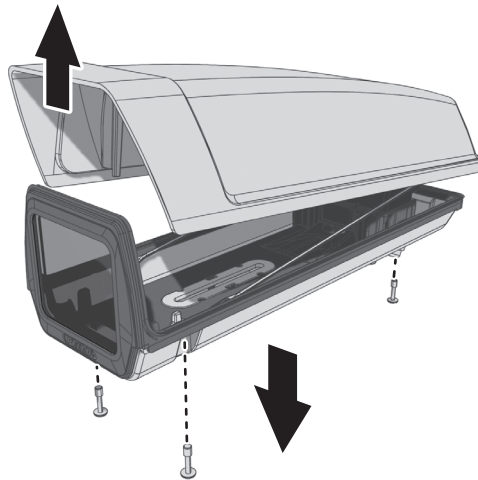


Figure 2. Removing the Lid

3. Remove the camera sled from the enclosure rail (refer to Figure 3).
 - a. Squeeze the two plastic tabs (located near the front window) that hold the camera sled in place.
 - b. Pull up and slide the sled forward.
 - c. Remove the sled.

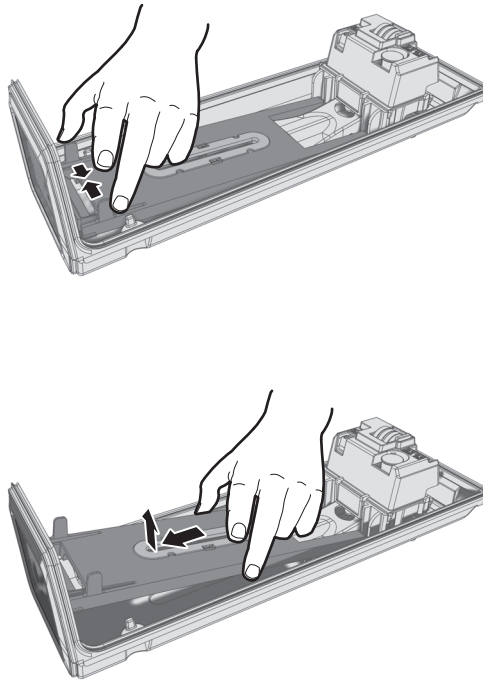


Figure 3. Removing the Sled

4. Remove the parts bag. This includes the screws, split washers, glands, and nuts.
5. Remove the glands and nuts from the parts bag.
6. Wire the enclosure:
 - **Without conduit** (for example, the EM1512 mount): Install and tighten the glands and nuts in the bottom of the enclosure. Refer to Table A on page 11 for allowable cable diameter for the glands.
NOTE: The PG11 gland might not accommodate RX11 coaxial cable because the coaxial diameter might be larger than the gland, 0.395 inches (0.10 cm).
Glands can be mounted either inside or outside of the enclosure. When using the EM1512 feedthrough mount, Pelco recommends mounting the glands inside the enclosure with the nuts on the outside.
 - **With conduit:** Use a step drill to drill the larger hole to 0.875 inches (2.22 cm) for 1/2-inch conduit.
7. Steps 8, 9, and 10 contain instructions for installing the EM1512 mount. If you are using a mount other than the EM1512, refer to the specific mount manual for installation instructions, and then go to step 11.

8. *(EM1512 mount only)* Attach the mount to the wall:
 - a. Use the mount as a template to mark and drill holes in the mounting surface.
 - b. Pull the video and power cables from the wall through the mount. If wiring with conduit, use a step drill to drill a 0.875 inches (2.22 cm) hole in one of the three knockout locations for 1/2-inch conduit. (Knockouts are indicated on the side and bottom of the mount arm.) Refer to Table B on page 11 to determine the size of the power wire needed. Refer to Table D on page 12 to determine the type of video coaxial cable needed.
 - c. Fasten the mount to the wall using a minimum of two flat washers (not supplied) and two 1/4-20 bolts (not supplied).

 **WARNINGS:**

- If you install the mount outdoors, rainwater could leak through the mounting bolt holes and damage the wall. To prevent water damage, seal the bolt holes with an appropriate sealant. Apply the sealant around the bolt holes between the mount and the mounting surface.
 - Use fasteners of a suitable size, and make sure the mounting surface can support the combined weight of the mount and camera/enclosure.
- d. Pull the cables through the glands in the enclosure. If the glands are mounted outside the enclosure, tighten the glands around the cables. (If the glands are mounted inside the enclosure, do not tighten the glands around the cables until after you perform step 9.)
 9. *(EM1512 mount only)* Attach the enclosure using the threaded mounting holes in the bottom of the enclosure. Use the M6 bolts and 6 mm split washer (supplied in the parts bag). Tighten the bolts to attach the enclosure body to the mount surface. Tighten the glands around the cables.
 10. *(EM1512 mount only)* Adjust the enclosure position by loosening the M6 bolt at the bottom of the mount. Position the mount as desired, and then tighten the M6 bolt.
 11. *(For mounts other than EM1512)* Perform the following steps:
 - a. Install the mount according to the specific installation instructions supplied with the mount.
 - b. Pull the video and power cables through the glands or conduit on the bottom of the enclosure. Refer to Table B on page 11 to determine the size of power wire needed. Refer to Table D on page 12 to determine the type of video coaxial cable needed.

NOTE: Be sure to route all coaxial cable and wiring along the sides of the enclosure to avoid heating problems. Maintain separation between 120/230 VAC, 24 VAC, and video wiring.

12. Adjust the glands for a tight fit around the cables. If you are wiring the enclosure with conduit, install the fittings to connect the conduit to the enclosure.
13. Attach the camera to the sled with the 1/4-20 x 3/8-inch Phillips screw (supplied) and the 1/4-inch split lock washer/washer. (Refer to Figure 4.) Align the front of the lens with the front edge of the sled. Tighten the screw, and then reinsert the sled.

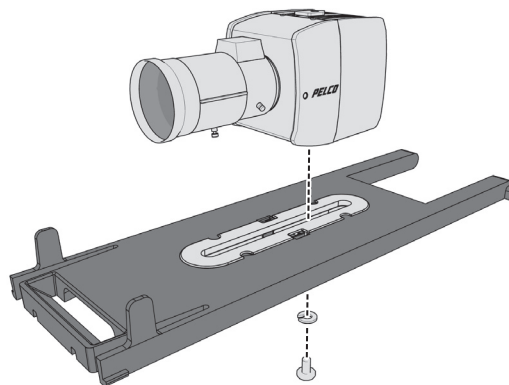


Figure 4. Attaching the Camera to the Sled

14. Refer to Figure 5 on page 10 to connect power to the enclosure and the camera.
15. Attach the video cables to the camera.
16. If required, connect the ground wire to the ground screw boss and screw on the bottom of the enclosure, which is located in front of the PC board. For EH1512-1, EH1512-1L, and EH1512-3, pass the supplied zip tie through the hole in the PCB cover to secure the input power wires to the PCB cover.

17. Adjust the camera focal length and focus, if necessary.
18. Position the enclosure lid and close it. If using the 10-24 x 0.75-inch hex head screws, tighten them using a 5 mm Allen wrench (not supplied). If using the optional security kit, insert the three tamper-resistant screws (supplied) and tighten them using the 1/8-inch hollow screwdriver bit (supplied). When tightening either kind of screw, ensure that the gasket is properly seated.

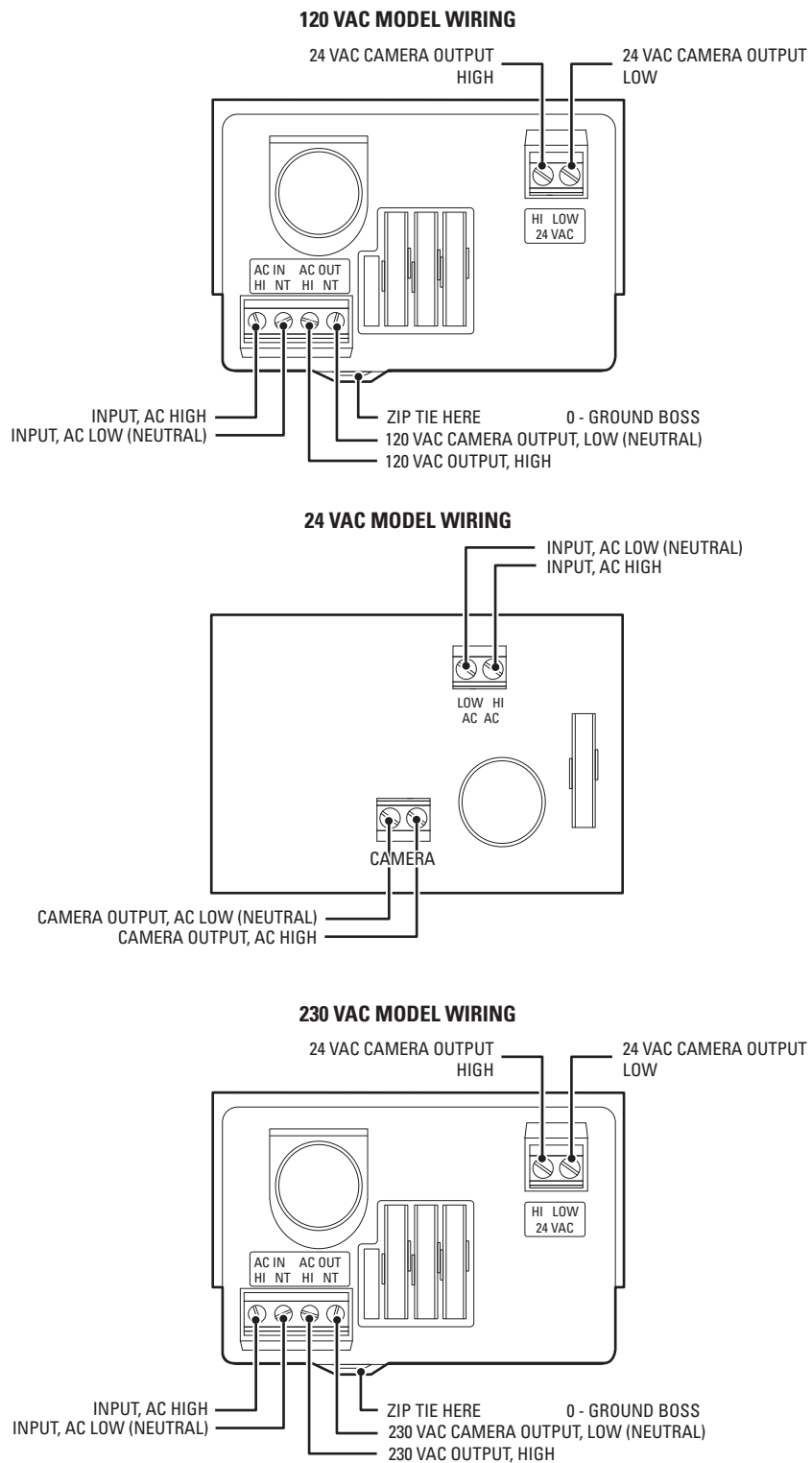


Figure 5. EH1512 Wiring Diagram

INSTALLING THE SUN SHROUD

The optional sun shroud fits over the top of the EH1512 enclosure. Perform the following steps to install the sun shroud.

1. Position the front of the sun shroud above the front of the enclosure.
2. Press the sun shroud down and against the enclosure until the sun shroud snaps into place.

Table A. Allowable Cable Diameter

Gland	Cable Diameter
PG9	0.181-inch to 0.312-inch
PG11	0.230-inch to 0.395-inch

NOTE: Conduit must be used if the cable diameter is greater than 0.395 inches (1.00 cm). RG11 coaxial might be greater than 0.395 inches.

Table B describes the minimum recommended cable sizes needed for use with the heater and blower combinations in the EH1512 enclosure.


 **WARNING:** When using a single power source for both camera and accessories, consider the camera power consumption when determining the wire gauge. Table B does not include camera power.

Table B. Enclosure Accessory Wiring Distances

Model Number	Input Voltage	Maximum Power Consumption	Cable Size	Cable Distance
EH1512-1, EH1512-1L	120 VAC	12 W	20 AWG 18 AWG 16 AWG 14 AWG	2,782 ft (848 m) 4,424 ft (1,348 m) 7,035 ft (2,144 m) 11,184 ft (3,409 m)
EH1512-2	24 VAC	12 W	20 AWG 18 AWG 16 AWG 14 AWG	142 ft (43 m) 225 ft (69 m) 358 ft (109 m) 569 ft (173 m)
EH1512-3	230 VAC	12 W	20 AWG 18 AWG 16 AWG 14 AWG	6,473 ft (1,973 m) 10,291 ft (2,137 m) 16,365 ft (4,988 m) 26,019 ft (7,931 m)
EH1512-1MT, EH1512-1MTS, EH1512-1LMT, EH1512-1LMTS	120 VAC	12 W	20 AWG 18 AWG 16 AWG 14 AWG	2,782 ft (848 m) 4,424 ft (1,348 m) 7,035 ft (2,144 m) 11,184 ft (3,409 m)
EH1512-2MT, EH1512-2MTS	24 VAC	12 W	20 AWG 18 AWG 16 AWG 14 AWG	142 ft (43 m) 225 ft (69 m) 358 ft (109 m) 569 ft (173 m)
EH1512-3MT, EH1512-3MTS	230 VAC	12 W	20 AWG 18 AWG 16 AWG 14 AWG	6,473 ft (1,973 m) 10,291 ft (2,137 m) 16,365 ft (4,988 m) 26,019 ft (7,931 m)

Table C. 24 VAC Wiring Distances

Total VA	Wire Gauge			
	20 AWG (0.5 mm ²)	18 AWG (1.0 mm ²)	16 AWG (1.5 mm ²)	14 AWG (2.5 mm ²)
10	283 ft (86 m)	451 ft (137 m)	716 ft (218 m)	1142 ft (348 m)
20	141 ft (42 m)	225 ft (68 m)	358 ft (109 m)	571 ft (174 m)
30	94 ft (28 m)	150 ft (45 m)	238 ft (54 m)	380 ft (115 m)
40	70 ft (21 m)	112 ft (34 m)	179 ft (54 m)	285 ft (86 m)
50	56 ft (17 m)	90 ft (27 m)	143 ft (43 m)	228 ft (69 m)

Table C describes the recommended maximum distances for 24 VAC applications, which are calculated with a 10 percent voltage drop. (Ten percent is generally the maximum allowable voltage drop for AC-powered devices.)

For example, an enclosure that requires 30 VA and is installed 94 feet (28 m) from the transformer would require a minimum wire gauge of 20 AWG.

Table D. Video Coaxial Cable Wiring Distance

Cable Type*	Maximum Distance
RG59/U	750 ft (229 m)
RG6/U	1,000 ft (305 m)
RG11/U	1,500 ft (457 m)

*Minimum Cable Requirements:
 75-ohm impedance
 All-copper center conductor
 All-copper braided shield with 95% braid coverage

EH1512-1L CAMERA VOLTAGE

For EH1512-1L models, use the following table to verify that the camera voltage is within the manufacturer's specification based on power consumption and mains input.

Table E. EH1512-1L Camera Voltage Range vs. Mains

Mains Input	2 W Load	3 W Load	4 W Load	5 W Load
132 VAC, +10%	27.68 to 26.82	27.34 to 26.43	27.01 to 26.05	26.65 to 25.64
126 VAC, +5%	26.36 to 25.53	26.00 to 25.12	25.63 to 24.70	25.27 to 24.29
120 VAC, nominal	25.04 to 24.24	24.66 to 23.80	24.27 to 23.37	23.88 to 22.92
114 VAC, -5%	23.73 to 22.96	23.32 to 22.50	22.91 to 22.04	22.47 to 21.55
108 VAC, -10%	22.39 to 21.65	21.94 to 21.15	21.50 to 20.66	21.03 to 20.14

Maintenance

Clean the window regularly to maintain picture clarity. Use a soft cloth and a mild, nonabrasive detergent and water.

Specifications

MECHANICAL

Camera Mounting	Single slot for adjustable camera positioning on snap-in camera sled
Camera and Lens Size	Accepts camera and lens combinations* (including BNC connector) up to 9.00" L x 2.87" W x 3.00" H (22.86 x 7.28 x 7.62 cm)
Viewing Window	0.118-inch (3 mm) thick scratch-resistant Lexan®
Viewing Area	2.81" W x 2.47" H (7.14 x 6.27 cm)
Cable Entry	1 x PG9 and 1 x PG11 compression glands on bottom; PG9 0.312-inch (0.8 cm) and PG11 0.395 (1.0 cm) maximum cable diameters
Cable Entry Holes	1 x 0.750-inch (1.91 cm) diameter and 1 x 0.630-inch (1.6 cm) diameter; 0.750-inch hole will accept 1/2-inch NPT conduit fitting when enlarged to 0.875-inch; 0.630-inch hole will accept 1/4-inch NPT conduit fitting
Lid Fastening	3 Allen-head screws

GENERAL

Construction	Die-cast aluminum
Finish	Alodine with gray polyester powder coat
Environment†	Indoor/outdoor ambient temperature –10° to 120°F (–23° to 49°C)
Unit Length	
Base	13.38 inches (33.99 cm)
Overall	14.39 inches (36.55 cm)
Unit Weight	
EH1512	2.50 lb (1.13 kg)
EH1512MT	3.13 lb (1.42 kg)
EH1512-1, EH1512-1L	3.25 lb (1.47 kg)
EH1512-2	2.56 lb (1.16 kg)
EH1512-3	3.25 lb (1.47 kg)
EH1512-1MT, EH1512-1LMT	3.88 lb (1.76 kg)
EH1512-2MT	3.19 lb (1.45 kg)
EH1512-3MT	3.88 lb (1.76 kg)
EH1512-1MTS, EH1512-1LMTS	4.76 lb (2.16 kg)
EH1512-2MTS	4.07 lb (1.85 kg)
EH1512-3MTS	4.76 lb (2.16 kg)

RECOMMENDED MOUNTS

Wall	
EM1512	Wall mount with feedthrough for EH1512 (tilt angle of +20° to –70°; sustains wind velocity up to 90 mph)
EM1450	Light duty wall mount; maximum load 20 lb (9.07 kg)
EM2400	Medium duty wall mount; maximum load 40 lb (18.14 kg) with feedthrough (tilt angle of ±90°)
EM1900U, EM22	Medium duty wall mount; maximum load 40 lb (18.14 kg)
Pedestal	
EM1009U, EM1015U, MM22	Medium duty pedestal mount; maximum load 40 lb (18.14 kg)
Pipe/Pole	
EM1109, EM2000, EM2200	Medium duty mounts for pipe/pole applications; maximum load 40 lb (18.14 kg); fits poles with 3-inch (7.62 cm) to 8-inch (20.32 cm) diameter
Ceiling	
EM3000	Light duty ceiling J-mount; maximum load 20 lb (9.07 kg); 360° pan rotation; ±75° tilt angle

* Assumes the lens is fully extended.

† Check the environmental specification of your specific camera/lens.

RECOMMENDED CAMERAS AND LENSES

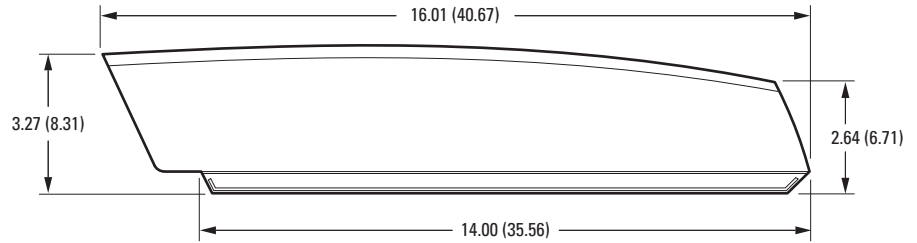
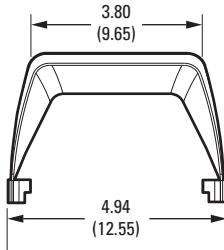
Cameras

C10CH-6, C10CH-6X, C10CH-7X, C10DN-6, C10DN-6X, C10DN-7X, CCC1390H-6, CCC1390H-6X, IP3701H-2, IP3701H-2X, IXS0C, IXS0DN, IX10C, IX10DN, IXE20C, IXE20DN, IX30C, IX30DN

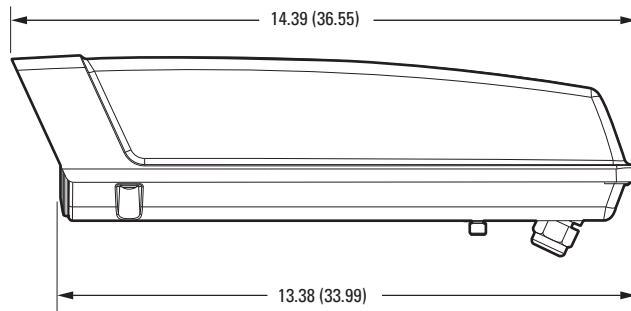
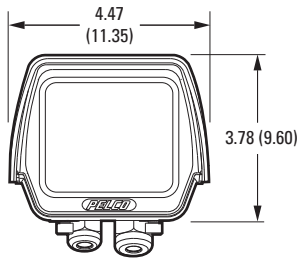
Lenses

13VD2.8-12, 13VD3-8, 13VD5-40, 13VD5-50, 13VDIR2.8-11, 13VDIR3-8.5, 13VDIR7.5-50

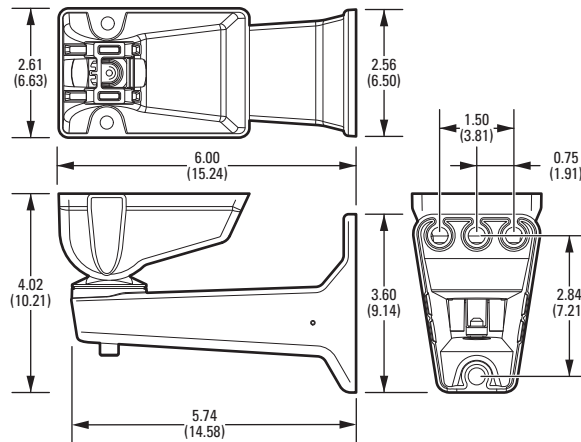
NOTE: These lenses are for use with all cameras except Pelco IP cameras with Sarix technology. Refer to the specific camera specification sheet for information on recommended lenses.



SS1512 Sun Shroud



EH1512 Camera Enclosure



EM1512 Wall Mount

NOTE: VALUES IN PARENTHESES ARE CENTIMETERS; ALL OTHERS ARE INCHES.

PRODUCT WARRANTY AND RETURN INFORMATION

WARRANTY

Pelco will repair or replace, without charge, any merchandise proved defective in material or workmanship **for a period of one year** after the date of shipment.

Exceptions to this warranty are as noted below:

- Five years:
 - Fiber optic products
 - Unshielded Twisted Pair (UTP) transmission products
 - CC3701H-2, CC3701H-2X, CC3751H-2, CC3651H-2X, MC3651H-2, and MC3651H-2X camera models
- Three years:
 - Fixed network cameras and network dome cameras with Sarix® technology
 - Sarix thermal imaging products (TI and ESTI Series)
 - Fixed camera models (CCC1390H Series, C10DN Series, C10CH Series, and IP3701H Series)
 - EH1500 Series enclosures
 - Spectra® IV products (including Spectra IV IP)
 - Spectra HD dome products
 - Camclosure® Series (IS, ICS, IP) integrated camera systems
 - DX Series video recorders (except DX9000 Series which is covered for a period of one year), DVR5100 Series digital video recorders, Digital Sentry® Series hardware products, DVX Series digital video recorders, and NVR300 Series network video recorders
 - Endura® Series distributed network-based video products
 - Genex® Series products (multiplexers, server, and keyboard)
 - PMCL200/300/400 Series LCD monitors
 - PMCL5xxF Series and PMCL5xxNB Series LCD monitors
- Two years:
 - Standard varifocal, fixed focal, and motorized zoom lenses
 - DF5/DF8 Series fixed dome products
 - Legacy® Series integrated positioning systems
 - Spectra III™, Spectra Mini, Spectra Mini IP, Esprit®, ExSite®, ExSite IP, and PS20 scanners, including when used in continuous motion applications
 - Esprit Ti and TI2500 Series thermal imaging products
 - Esprit and WW5700 Series window wiper (excluding wiper blades)
 - CM6700/CM6800/CM9700 Series matrix
 - Digital Light Processing (DLP®) displays (except lamp and color wheel). The lamp and color wheel will be covered for a period of 90 days. The air filter is not covered under warranty.

- Six months:
 - All pan and tilts, scanners, or preset lenses used in continuous motion applications (preset scan, tour, and auto scan modes)

Pelco will warrant all replacement parts and repairs for 90 days from the date of Pelco shipment. All goods requiring warranty repair shall be sent freight prepaid to a Pelco designated location. Repairs made necessary by reason of misuse, alteration, normal wear, or accident are not covered under this warranty.

Pelco assumes no risk and shall be subject to no liability for damages or loss resulting from the specific use or application made of the Products. Pelco's liability for any claim, whether based on breach of contract, negligence, infringement of any rights of any party or product liability, relating to the Products shall not exceed the price paid by the Dealer to Pelco for such Products. In no event will Pelco be liable for any special, incidental, or consequential damages (including loss of use, loss of profit, and claims of third parties) however caused, whether by the negligence of Pelco or otherwise.

The above warranty provides the Dealer with specific legal rights. The Dealer may also have additional rights, which are subject to variation from state to state.

If a warranty repair is required, the Dealer must contact Pelco at (800) 289-9100 or (559) 292-1981 to obtain a Repair Authorization number (RA), and provide the following information:

1. Model and serial number
2. Date of shipment, P.O. number, sales order number, or Pelco invoice number
3. Details of the defect or problem

If there is a dispute regarding the warranty of a product that does not fall under the warranty conditions stated above, please include a written explanation with the product when returned.

Method of return shipment shall be the same or equal to the method by which the item was received by Pelco.

RETURNS

To expedite parts returned for repair or credit, please call Pelco at (800) 289-9100 or (559) 292-1981 to obtain an authorization number (CA number if returned for credit, and RA number if returned for repair) and designated return location.

All merchandise returned for credit may be subject to a 20 percent restocking and refurbishing charge.

Goods returned for repair or credit should be clearly identified with the assigned CA or RA number and freight should be prepaid.

Revised 5-6-11

 The materials used in the manufacture of this document and its components are compliant to the requirements of Directive 2002/95/EC.



This equipment contains electrical or electronic components that must be recycled properly to comply with Directive 2002/96/EC of the European Union regarding the disposal of waste electrical and electronic equipment (WEEE). Contact your local dealer for procedures for recycling this equipment.

REVISION HISTORY

Manual #	Date	Comments
C3453M	12/08	Original version.
C3453M-A	3/09	Updated the manual to describe the change in the lanyard position and the revised maximum power consumption and heater/blower kit power specifications. A Phillips screwdriver is now required; a flat head screwdriver is required for certain models. A screw was added to the end of the enclosure. Revised figures 1 and 2, the enclosure specification drawing, the model table in the specification section, and added Sarix cameras to the recommended camera list.
C3453M-B	4/09	Added security kit EH-SKIT to the list of optional accessories.
C3453M-C	5/09	Added instructions for installing the security kit, removed the Models table, and moved optional accessories from the Specification section to the Description section.
C3453M-D	5/11	Added EH1512-1L, EH1512-1LMT, EH1512-1LMTS models and corrected the maximum power consumption wattage.

Pelco, the Pelco logo, and other trademarks associated with Pelco products referred to in this publication are trademarks of Pelco, Inc. or its affiliates. All other product names and services are the property of their respective companies. Product specifications and availability are subject to change without notice.

© Copyright 2011, Pelco, Inc.
All rights reserved.

PELCO

by **Schneider** Electric

www.pelco.com

Pelco by Schneider Electric 3500 Pelco Way Clovis, California 93612-5699 United States
USA & Canada Tel (800) 289-9100 Fax (800) 289-9150
International Tel +1 (559) 292-1981 Fax +1 (559) 348-1120