

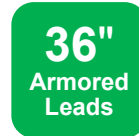
Track-Mount Overhead Door Magnetic

SM-4201-LQ

3" (76mm) Gap, Closed Loop, Armored Leads

Features:

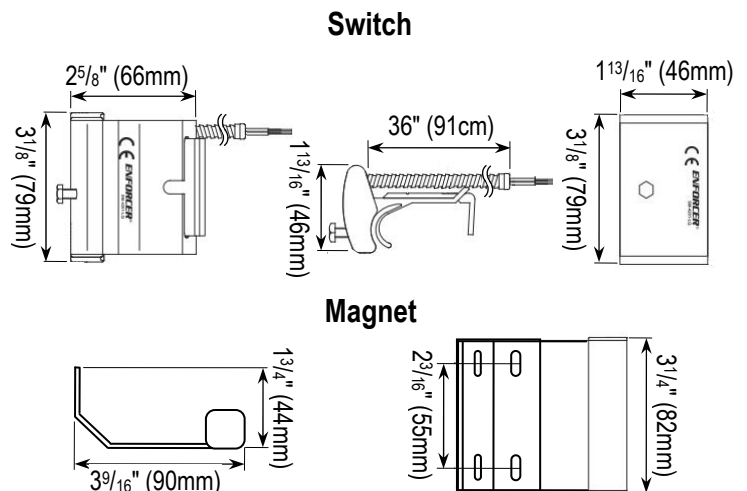
- Used for overhead doors in both industrial and residential situations where a wide gap is present
- Adjustable to fit most door-channel widths
- Rugged aluminum housing
- 36" (91cm) Wire leads enclosed in armored cable
- Contact Type: SPST, iridium-plated to have a high melting point and Vickers hardness for higher power handling and longer expected life
- For closed loop circuits
- 3" (76mm) Gap
- Mounting bracket included
- Lifetime limited warranty



Specifications:

Loop type	Closed loop	
Electrical configuration	N.O. (SPST)	
Operation gap	3" (76mm)	
Connectors	36" (91cm) Armored leads	
Material	Case	Aluminum
	Contacts	Iridium-plated
Contact rating		0.1A@100VDC (max.)
		1.0A@10VDC (max.)
		10W (max.)
Operating temperature	-15°~160° F (-25°~70° C)	
Switch cycles	50 Million (0.1mA@5VDC)	
Switch dimensions	3 1/8" x 2 5/8" x 1 13/16" (79x66x46 mm)	
Magnet dimensions	3 1/4" x 3 9/16" x 1 3/4" (82x90x44 mm)	
Magnet type	Ferrite	

Dimensions:



SECO-LARM® U.S.A., Inc.

16842 Millikan Avenue, Irvine, CA 92606

Phone: (949) 261-2999 | (800) 662-0800 Fax: (949) 261-7326

Website: www.seco-larm.com Email: sales@seco-larm.com



Copyright © 2018 SECO-LARM U.S.A., Inc. All rights reserved. All trademarks are the property of SECO-LARM U.S.A., Inc. or their respective owners. The SECO-LARM policy is one of continual development. For that reason, SECO-LARM reserves the right to change prices and specifications without notice. SECO-LARM is not responsible for misprints.

SECO-LARM® ENFORCER® CRIMEBUSTER® CBA® SLI®

PL_SM-4201-LQ_180716.docx