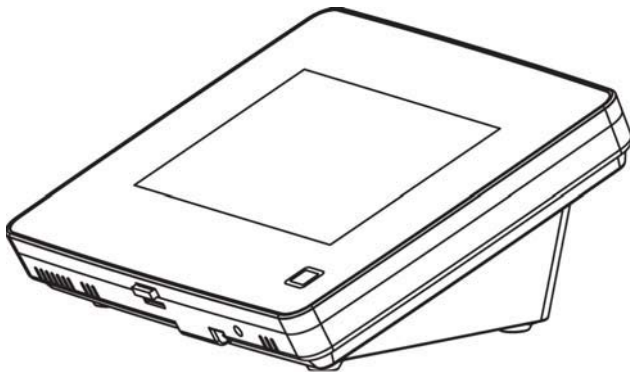


# Simon 5" TouchScreen Version 2 Installation Guide



## Description

The Simon 5" TouchScreen model 60-924-RF-TS5-2 features a color 5-inch LCD screen with a graphical user interface designed to control basic functionality of the Simon XT (v1.3 or later), Simon XTi, and Simon XTi-5 control panels. Up to four touch screens can be learned (programmed) into each Simon XT, XTi, or XTi-5 panel. Note the TouchScreen is optimized to work with the latest features in the Simon XTi-5 Version 2.

The touch screen provides a convenient option for the following system operations:

- Arm the system (doors, windows, and motion sensors).
- Disarm the system.
- Activate a panic alarm to call the central monitoring station in a nonmedical emergency.
- Check system status.
- Turn system controlled lights on or off (depending on your system configuration).
- Lock and unlock system-controlled door locks (depending on your system configuration).
- Open and close system-controlled garage doors (depending on your system configuration; XTi-5 Version 2 Panel only).
- Hear voice feedback of the status of the Simon XT, XTi, XTi-5, or XTi-5 V2 control panel.
- Customize color and fonts matching the interactive service on the mobile phone (Xti-5 Panel Version 2 only).

## Safety Information

### IMPORTANT SAFETY INFORMATION; READ ENCLOSED WARNINGS AND SAFETY INFORMATION.

**WARNING: CHOKING HAZARD.** The product accessory bag contains items that could be choking hazards. Please keep away from small children.



**WARNING:** Disconnect panel power before servicing.



**CAUTION:** Use static electricity precautions when handling electronic components.



**CAUTION:** Only the cable provided with the device can be used to provide power.



## Installation Guidelines

Use the following guidelines when adding this touch screen to the Simon XT, XTi, XTi-5, or XTi-5 V2 system:

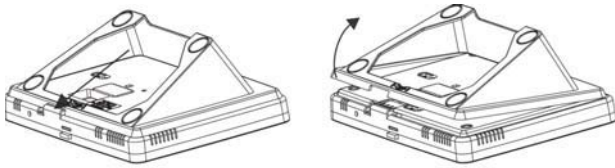
- Power up and learn the touch screen into the panel and verify its operation before mounting it to its permanent wall or desktop location.
- The touch screen should be the last sensor programmed (learned) into the panel. Doing this allows the panel's programming configuration to be properly transferred to the touch screen.
- Program (learn) the touch screen into the panel as a sensor Using group types 00, 01, 04, 05, 06, or 07.
- The touch screen will work best if mounted greater than 3 ft. (approximately 1 m) from the Simon panel.
- Avoid mounting the touch screen directly behind the Simon XT, XTi, XTi-5 or XTi-5 V2 panel on the opposite side of the wall.
- Always do a sensor test before attaching the touch screen to the wall.

## Preparation

### To begin

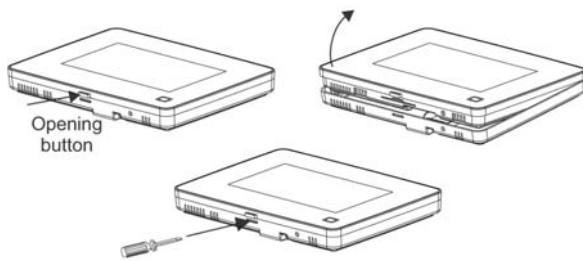
1. Separate the touch screen and the mounting base from the preassembled desktop stand. Remove the desktop stand by holding the touch screen unit with one hand and prying the desktop stand at the removal tab marking until it separates (Figure 1) with the other. Put the desktop stand aside temporarily.

**Figure 1: Desktop stand removal**



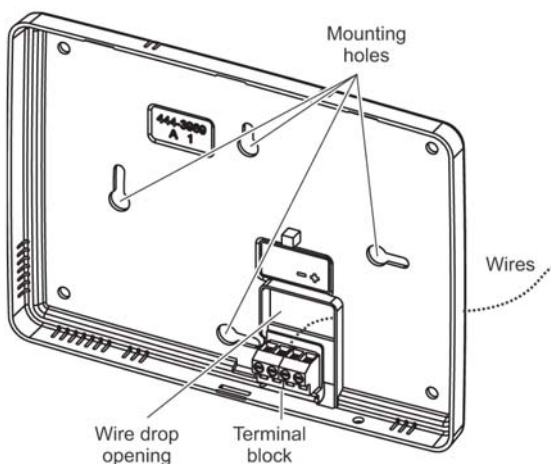
2. Remove the touch screen from the mounting base pressing the opening button on the bottom of the touch screen (as shown in Figure 2). In case the parts stick to each other, try to separate them by inserting a small screwdriver into the opening slot beneath the protruding opening button (Figure 2).

**Figure 2: Opening slot**



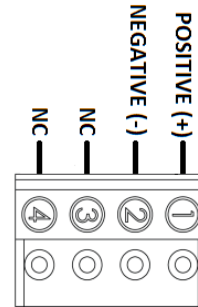
3. Feed the supplied power wire through the backside of the wire drop in the mounting base (Figure 3).

**Figure 3: Power Wire Routing in the Mounting Base**



4. Connect the wire to the power terminals as identified in Figure 4, taking particular care to ensure the marked/dashed wire attaches to the Positive lead and the unmarked wire attaches to the Negative lead. Observe polarity by ensuring the same wire at the touch screen mounting base is connected to the corresponding positive and negative lead on the power supply. Do not use different or longer run cable than the supplied wiring as the DC power supply may not support it and intermittent power failures in the touch screen may occur due.

**Figure 4: Power connector**



5. Reattach the touchscreen to the mounting base plate. Angle the top of the touch screen into the tab hooks on the top of the mounting base and swing the bottom of the touch screen into the lower part of the mounting base until you hear an audible click.
6. Connect the spaded ends of the power supply wire to the terminal to the terminals on the power supply.

**Note:** The dashed line/writing side of the wire to positive. Ensure consistency by wiring the + to + and - to - as polarity must be observed or touchscreen will not function. Plug in the power, the touch screen will power up.

## Learning

**To program (learn) the touch screen into the Simon XT panel:**

1. Press the down arrow button on the panel and scroll to System Programming.
2. Press OK.  
The panel displays `Enter Code`.
3. Enter the installer access code and press OK.
4. Scroll to Sensors and press OK.
5. When the panel displays `Learn Sensor`, press OK.

The panel blinks `Trip Sensor nn` (where nn is the next available zone number). You can enter a different zone number if desired.

6. On the touch screen:
  - A. Press the Settings button (gear icon at bottom right).
  - B. Press the Down arrow until the Clear and Enroll button appears.
  - C. Press the Clear and Enroll button. The touch screen should indicate it is waiting for enrollment.

7. On the panel, you can now program the group number (00, 01, 04, 05, 06, or 07) and press OK.

8. On the panel, press the Up or Down arrow to select a name for the touch screen and press OK. (Refer to the Simon XT installation instructions for programming sensor text.)

You can select something simple, such as “Touch Pad”, or use additional descriptors, such as “Bedroom Touch Pad”.



The touch screen will indicate enrollment success or failure.

**Note:** During install mode, it is normal for the four blue LEDs on the panel to blink as this indicates the panel is updating the touch screen status. Do not leave program mode if you have modified sensor information or are downloading a company logo while the four blue arming LEDs on the panel are blinking (this may disrupt configuration).

9. To verify that the touch screen is programmed (learned), press the Status button on the panel repeatedly to leave system programming and return to normal panel operation.
10. Press the Settings button on the touch screen and press the Hear button.

The touch screen should announce the panel arming level and status, such as *Disarmed System Okay*.

#### To program (learn) the touch screen into the Simon XTi, XTi-5, and XTi-5 V2 panels:

1. On the Simon XTi panel, press the  icon in the bottom right corner of the touchscreen.
2. From the Status & Settings screen, press  to scroll to the Programming option and press ENTER.
3. Enter the dealer or installer code and press OK.
4. From the Programming screen, press SENSORS.
5. From the Sensors screen, press LEARN SENSORS. The panel displays the Edit Sensor screen.

On the touch screen:

- A. Press the Settings button (gear icon at bottom right).
  - B. Press the Down arrow until the Clear and Enroll button appears.
  - C. Press the Clear and Enroll button. The touch screen should indicate it is waiting for enrollment.
6. On the panel, you can now program the group number (00, 01, 04, 05, 06, or 07) by pressing EDIT next to Sensor Group.

7. On the panel, select a name for the touch screen by pressing EDIT next to Sensor Name.

You can select something simple, such as “Touch Pad”, or use additional descriptors, such as “Bedroom Touch Pad”.

The touch screen will indicate enrollment success or failure.

**Note:** Do not leave program mode if you have modified sensor information or are downloading a company logo (this may disrupt configuration).

8. To verify that the touch screen is programmed (learned), press the Close button on the panel repeatedly to leave system programming and return to normal panel operation.
9. Press the Settings button on the touch screen and press the Listen button.

The touch screen should announce the panel arming level and status, such as *Disarmed System Okay*.

Refer to your Simon XTi or XTi-5 panel documentation for other programming options.

**Note:** If you would like this touch screen operation to be code protected, you can enable this feature by following these steps:

1. Select the Settings menu.
2. Scroll to “Code Required Access” and select Yes.

With code required access, not all icons will be displayed.

#### Relocate the touch screen to permanent location

1. Unplug the touch screen from the wall.
2. Move the unit to its permanent location.
3. Plug the touch screen power supply into the wall.

#### Sensor test

The touch screen is sensitive to its orientation to the control panel. For that reason, we recommend you test the touch screen before it's mounted in its permanent location.

#### To test the touch screen with the Simon XT (v1.4) panel:

In the Setting menu, press the Test button under RF Test. If less than three bars appear see “Relocate the touch screen to permanent location” above.

#### To test the touch screen with the Simon XT (v1.3) panel:



1. Make sure the panel is disarmed.
2. Press the down arrow button on the panel and scroll to System Programming.
3. Press OK.
4. When the panel displays `Enter Code`, enter the appropriate code and press OK.
5. Scroll until the panel displays `Sensor Test`, press OK to start the sensor test.

The panel will prompt you to trip each sensor one at a time.

- To trip the touch screen, press the RF test button from the settings screen.

You can follow the panel voice prompting to test the sensors in any order. You should hear the panel beep the number of packets received. The panel will also display the number of packets received. If you do not hear 6 to 8 panel beeps, see “Relocate the touch screen to permanent location” on page 3.

**To test the touch screen with the Simon XT<sub>i</sub> and XT<sub>i</sub>-5 panel:**

- Make sure the panel is disarmed.
- Access the System Tests screen through the Status & Settings screen by pressing ENTER next to PROGRAMMING.
- Enter the access code and press OK.
- Press SYSTEM TESTS.
- Press SENSOR TEST.
- All learned in sensors will be displayed on this screen. Press   to scroll through the pages).
- To trip the touch screen, press the RF test button from the settings screen.

You should hear the panel beep the number of packets received. The panel will also display the number of packets received. If you do not hear 6 to 8 panel beeps, see “Relocate the touch screen to permanent location” on page 3.

- Press Close repeatedly to exit.

You should also perform the following to validate the touch screen installation:

- Arm the panel and verify that the panel and touch screen indicate that the panel is armed.
- Wait 10 minutes and verify that you do not get a “loss of connection” message and that the RF icon is not red.

We recommend that you test the touch screen after all programming is completed and whenever a touch screen related problem occurs.

To verify communication between the panel and the touch screen, exit programming mode and then press the System Status icon on the touch screen. The touch screen should announce the correct system status.

**Note:** If you cannot get the touch screen to trip, test a known good touch screen at the same location. If the replacement touch screen functions, contact UTC Fire & Security for repair or replacement of the faulty touch screen.

## Mounting

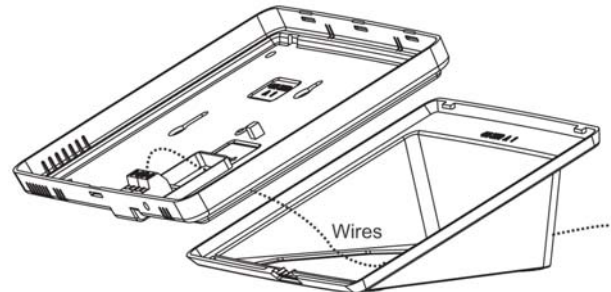
- With touch screen operation verified and tested at the permanent location; mount the touchscreen either on the wall or on a surface with the supplied desktop stand.

### Surface, desktop mounting

If the unit is to be wall mounted, skip to step 5.

- Unplug power supply and feed it through the desk top stand from front to back so that the power wire and supply extends from the touch screen and mounting base, through the desktop stand (Figure 5).

**Figure 5: Power cable routing with desktop stand**



- Reattach the desktop stand to the mounting base and touch screen.
- Plug the power supply back into the wall. Ensure the outlet is not controlled by a switch.

### Wall mounting

If the unit is to be or has been installed on surface utilizing the desktop stand, skip to the next section.

**Note:** Wall mounting uses only the mounting base; the desktop stand is not used.

- Separate the mounting base from the touch screen.
- From the initial power up configuration, disconnect the power cable Positive and Negative leads from the mounting base. Disconnect the wire from the power supply.
- Hold the base on the wall at the desired mounting location and mark the mounting holes and wire drop.
- At the mounting hole locations, drill 3/16-inch holes into the wall for plastic anchors.
- At the wire drop opening, drill a 1/2-inch hole into the wall for the power cable.
- Push the two plastic anchors into the drilled holes and tighten screws within a quarter-inch of the anchors.
- Feed the power wiring through the backside of the wire drop in the mounting base (see Figure 3 on page 2).
- Hang the base using the screws, level the base, and tighten the screws.
- Run the power cabling behind or down the front of the wall to the nearest power receptacle.

14. Reconnect the ends of the wire to the power terminals as identified in Figure 4, taking particular care to ensure the marked/dashed wire attaches to the Positive lead and the unmarked wire attaches to the Negative lead.
15. Feed any extra wire back into wall. Wires should not protrude outside of the wire drop opening.
16. Reattach the touch screen to the mounting base. Angle the top of the touch screen into the tab hooks on the top of the mounting base and swing the bottom of the touch screen into the lower part of the mounting base until you hear an audible click.
17. Reconnect the spaded ends of the power supply wire to the terminal to the terminals on the power supply.

**Note:** The dashed line/writing side of the wire indicates positive. Ensure consistency by wiring the + to + and – to – as polarity must be observed or touchscreen will not function.

## Operation

Refer to *Simon 5" TouchScreen User Guide* for basic touch screen operation information. Refer to the panel documentation for complete Simon XT, XT<sub>i</sub>, XT<sub>i</sub>-5 and XT<sub>i</sub>-5 V2 programming and operation information.

**Note:** Test system at least once per week.

**Note:** Each control unit shall indicate that the system is intended to be checked by a qualified technical at least every 3 years.

### Setting the clock

You can set the touch screen clock by setting the clock on the Simon XT, XT<sub>i</sub>, XT<sub>i</sub>-5, or XT<sub>i</sub>-5 V2 panels.

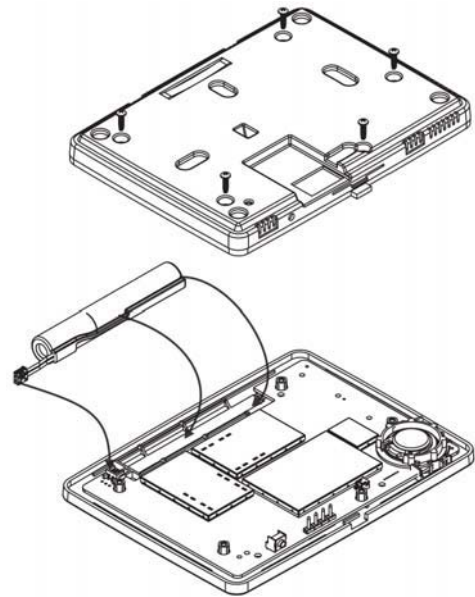
## Battery Pack Replacement

We recommend that you replace the backup battery pack every 3-5 years. Only the part 60-924-BAT4SIMONTS5 can be used as a battery pack replacement.

1. Remove the touch screen from the mounting plate by depressing the button on the bottom of the touch screen.
2. Remove the five screws from the back cover of the touch screen and separate the back cover off the front cover.
3. Disconnect the battery from the battery connector and remove the battery as showing in Figure 6. Replace the battery pack.

Avoid touching the touch screen face while you are replacing the batteries.

**Figure 6: Battery**



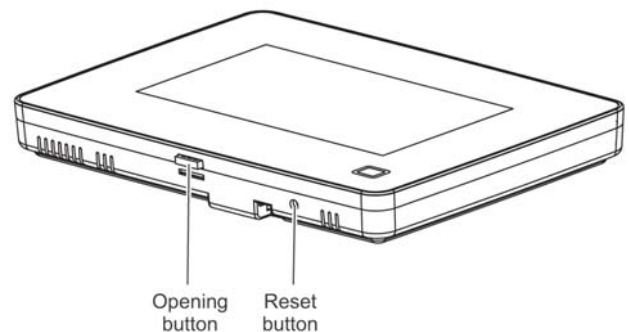
**Note:** If AC power is lost and battery pack is not present or depleted, the touch screen will not power up until AC power is restored (even if a new battery pack is installed).

## Reset Button

The Reset button is located on the bottom right side of the touch screen mounting plate (see Figure 7). To power cycle the touch screen, use a toothpick to depress the recessed Reset button. Note the reset has no impact on the Simon panel or the overall state of the alarm system. The button simply resets the only the touch screen to the same state

**Note:** Do not press the Reset button while in programming mode.

**Figure 7: Reset**





## Clear Operation

If the Simon XT, XT<sub>i</sub>, XT<sub>i</sub>-5, or XT<sub>i</sub>-5 V2 panel is connected to an online service, some information (such as a dealer logo) can be stored in the touch screen memory. To erase touch screen memory and restore to factory default, simply relearn the touch screen into the panel again. The learn-in process begins by clearing the touch screen memory. To keep memory clear, learn the touch screen into a Simon XT, XT<sub>i</sub>, XT<sub>i</sub>-5, or XT<sub>i</sub>-5 V2 panel that has no online service supported.

## Troubleshooting

- If your touch screen fails to power up, check the wiring to ensure the connections are connect. Ensure the wires are not crossed from Positive to Negative or vice versa.
- If your touch screen flickers, restarts or has intermittent issues or does not seem to operate consistently, ensure the power polarity from the transformer to the Positive and Negative leads on the touch screen is correct. Also do not use wire for power other than the cable supplied. Longer cable may cause power delivery issues to the touch screen.
- If your touch screen fails to enroll, go to the Simon panel, delete that touch screen from the panel, and then repeat the enroll procedure.
- If the touch screen chime does not announce the zone name completely, it is likely due to the zone information not being sent to the touch screen during installation. To correct the problem, delete the touch screen and relearn the touch screen again.
- Red text on the Door Lock page indicates an open door or a door that is not monitored.
- If the sensors and the At-a-Glance icons state on the main screen are not synchronized or operating as expected to provide building status, use the following as a guideline when naming sensors in the Simon panel:
  - Sensor names must have the word “window” or “door” from the text library to interact with the touch screen Doors and Windows icons on the Main screen.
  - The Motion icon is controlled by sensors that are programmed into the following groups: 15, 17, 18, 20, 28, and 32.
  - The Property icon is controlled by the following sensors:
    - All sensors learned into Group 43.
    - Sensors that are not named “window” or “door”.
    - Sensors not learned into the Motion groups.
    - Sensors that are named keyfob or keychain.

## Specifications

Compatibility	Simon XT (version 1.3 and later), Simon XT <sub>i</sub> , Simon XT <sub>i</sub> -5
Enhanced Compatibility	XT <sub>i</sub> -5 Version 2, i.e. 80 zone encryption GUI
Power	Input 100-120 VAC, 250 mA Output 6 VDC, 1000 mA
Backup batteries	3.6 VDC, 600 mAh, NiMH
Backup time	6 h min.
Dimensions (W x H x D)	6.7 x 5.0 x 0.8 in. (170 x 127 x 20 mm)
Color	White
Operating environment:	
Temperature	32 to 120°F (0 to +49°C)
Maximum relative humidity	95% noncondensing

## Regulatory Information

FCC	<p>This equipment has been tested and found to comply with the limits for a Class B digital device, pursuant to Part 15 of the FCC Rules. These limits are designed to provide reasonable protection against harmful interference in a residential installation.</p> <p>This equipment generates, uses, and can radiate radio frequency energy and, if not installed and used in accordance with the instructions, may cause harmful interference to radio communications. However, there is no guarantee that interference will not occur in a particular installation.</p> <p>If this equipment does cause harmful interference to radio or television reception, which can be determined by turning the equipment off and on, the user is encouraged to try to correct the interference by one or more of the following measures:</p> <ul style="list-style-type: none"><li>• Reorient or relocate the receiving antenna.</li><li>• Increase the separation between the equipment and receiver.</li><li>• Connect the equipment into an outlet on a circuit different from that to which the receiver is connected.</li><li>• Consult the dealer or an experienced radio/TV technician for help.</li></ul> <p>Changes or modifications not expressly approved by UTC Fire and Security could void the user's authority to operate the equipment.</p> <p>This device complies with part 15 of the FCC rules. Operation is subject to the following conditions:</p> <ol style="list-style-type: none"><li>1. This device may not cause harmful interference.</li><li>2. This device must accept any interference received, including interference that may cause undesired operation.</li></ol> <p>Changes or modifications not expressly approved by the party responsible for compliance could void the user's authority to operate the equipment.</p>
-----	---

---

**FCC ID:** B4Z-5INTWTTS

**IC:** 1175C-5INTWTTS

This product has been investigated and approved by ETL for use as a supplementary keypad for the Simon XT system.

---

IC

This Class B digital apparatus complies with Canadian ICES-003.

This device complies with Industry Canada's license-exempt RSSs. Operation is subject to the following two conditions:

- (1) This device may not cause interference; and
- (2) This device must accept any interference, including interference that may cause undesired operation of the device.

---

Cet appareil numérique de la classe B est conforme à la norme NMB-003 du Canada.

Cet appareil est conforme à la norme RSS Industrie Canada exempt de licence. Son fonctionnement est soumis aux deux conditions suivantes :

- (1) cet appareil ne doit pas provoquer d'interférences et
- (2) cet appareil doit accepter toute interférence, y compris les interférences pouvant causer un mauvais fonctionnement du dispositif.

---

Conforms to:

UL 985 Household Fire Warning System Units  
UL 1023 Household Burglar-Alarm System Units  
ULC C1023 Preliminary Standard for Household Burglar Alarm  
ULC S545 Standard For Residential Fire Warning System Control Units

---

Warnings and Disclaimers

THESE PRODUCTS ARE INTENDED FOR SALE TO AND INSTALLATION BY QUALIFIED PROFESSIONALS. UTC FIRE & SECURITY CANNOT PROVIDE ANY ASSURANCE THAT ANY PERSON OR ENTITY BUYING ITS PRODUCTS, INCLUDING ANY "AUTHORIZED DEALER" OR "AUTHORIZED RESELLER", IS PROPERLY TRAINED OR EXPERIENCED TO CORRECTLY INSTALL FIRE AND SECURITY RELATED PRODUCTS.



For more information on warranty disclaimers and product safety information, please check <https://firesecurityproducts.com/policy/product-warning/> or scan the QR code.

---

## Contact Information

[www.utcfireandsecurity.com](http://www.utcfireandsecurity.com) or [www.interlogix.com](http://www.interlogix.com)

For customer support, see [www.interlogix.com/customer-support](http://www.interlogix.com/customer-support)

© 2018 UTC Fire & Security Americas Corporation, Inc.  
Interlogix is part of UTC Climate Controls & Security, a unit of  
United Technologies Corporation. All rights reserved.

October 16, 2018