

SHS-L200 Series Magnetic Contact Sensors Installation Instructions

Level II (UL 634)

Introduction

The SHS-L200 Series sensors are small, smart and tamper-proof high-security sensors that meet UL 634 Level 2 high security requirements. They are more than 50 percent smaller than comparable sensors, allowing them to be inconspicuously mounted virtually anywhere. The SHS-L200 series sensors are smart, inside and out. From its industrial grade aluminum body to its adaptive digital processing, the intelligent design ensures security across a wide range of applications.

The L200 Series Sensors are intended for use with outward or inward swinging door applications and connected to a UL Listed compatible control panel. Models are available with 3 ft. (91 cm) armored cable exiting out of either the left or right side of sensor, or 45 in. (114 cm) of wire exiting out of rear of the sensor.

Required Tools and Components

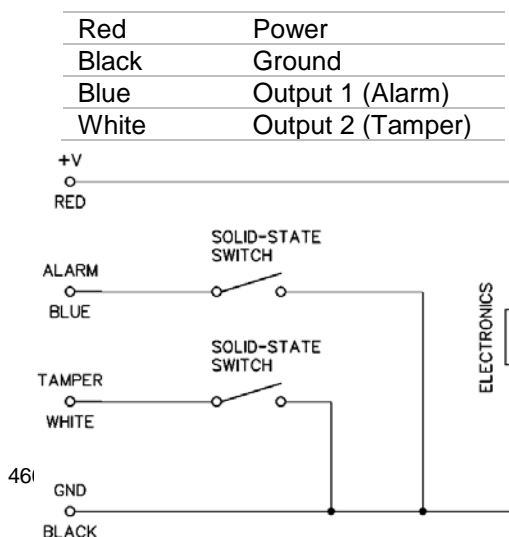
Provided:

- 1 Sensor
- 1 Tamper Plate
- 1 Actuator,
- 8 Self-drilling metal security screws (#10 x 2"),
- 2 Self-drilling metal security screws (#10 x 3/4"),
- 2 1/16" (1.6 mm) Spacer plates.

Provided by Installer:

Power Drill, T20H Torx-pin security drill bit, Ruler (or any linear measuring instrument), a center punch & hammer for more accurate hole locations may be used, a 3/32" pilot drill bit, Additional 1/16" spacers (ILX p/n SHS-101)

Wiring Diagram

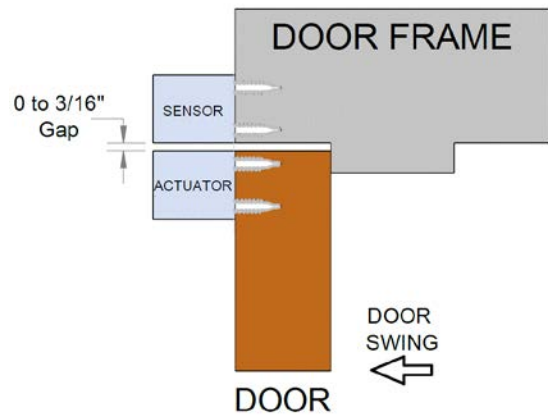


Installation Plan

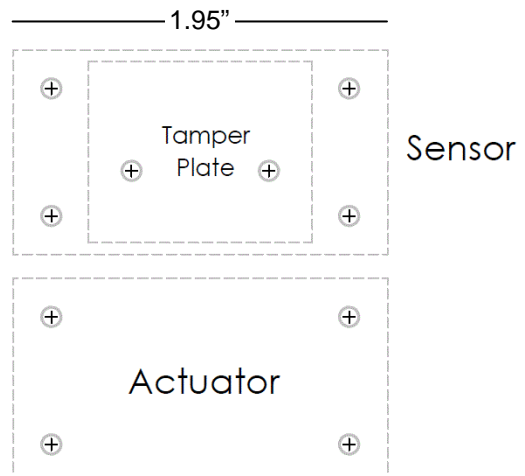
The sensor and tamper plate will be mounted to the door frame, close to the gap, without door interference. The actuator will be mounted directly below the sensor. Be sure to aim the engraved targets at each other once fully installed. Spacers may be used for alignment purposes.

For steel mounting surfaces, mount the sensor and actuator at the edge of the mounting surface or slightly overhanging the edge of the mounting surface. This is particularly important when the air gap between the sensor and actuator is small. False tamper indications may occur if this is not done.

The operating gap must not be greater than 3/16". See template page 2 for assistance with locating holes.



Mounting Template



Component View



⚠️ WARNING: CHOKING HAZARD

The product accessory bag contains items that could be choking hazards. Please keep away from small children.
ATTENTION: Le sachet d'accessoires produit contient des éléments qui pourraient être les dangers d'étouffement. Veuillez garder hors de la portée des jeunes enfants.

Specifications

Sensing Air Gap:	0 to 3/16" (0 to 4.8 mm)
Lateral Alignment:	3/16" (4.8 mm)
Max Current:	0.2 A Resistive
Max Voltage:	30 VDC
Max Power:	6 W Resistive
Max Leakage Current:	10 µA
Input Voltage:	4 to 25.2 VDC
Input Current:	20mA, max
Temperature Rating:	-31°F to 167°F (-35°C to +70°C)
Lead Type	22 AWG, UL1007
Suitable for indoor and outdoor use	

UL 634 Level 2 Certified
 ULC/ORD C634

Regulatory



Contact Information

Visit us online at www.interlogix.com.
 For technical support, see www.interlogix.com/support

Product Ordering

Part Number	Description
SHS-L200	High Security Contact, Solid State, Closed Loop, 0 to 3/16" Gap Size, UL Listed for High Security Level 2, ULC, 3' Stainless Steel Armored Cable-Left Exit
SHS-L201	High Security Contact, Solid State, Closed Loop, 0 to 3/16" Gap Size, UL Listed for High Security Level 2, ULC, 3' Stainless Steel Armored Cable-Right Exit
SHS-L202	High Security Contact, Solid State, Closed Loop, 0 to 3/16" Gap Size, UL Listed for High Security Level 2, ULC, 45" Rear Wire Exit
Accessories	
SHS-L101	1/16" (1.58 mm) spacer, 6 pack

Manufacturing Information

Interlogix
 3211 Progress Drive
 Lincolnton, NC 28092

Copyright

Copyright © 2017 United Technologies Corporation.
 All rights reserved.

Trademarks

Interlogix is a registered trademark of United Technologies Corporation. Interlogix is part of UTC Climate, Controls & Security, a unit of United Technologies Corporation.

MANUFACTURER HEREBY DISCLAIMS ALL WARRANTIES AND REPRESENTATIONS, WHETHER EXPRESS, IMPLIED, STATUTORY OR OTHERWISE INCLUDING (BUT NOT LIMITED TO) ANY WARRANTIES OF MERCHANTABILITY OR FITNESS FOR A PARTICULAR PURPOSE WITH RESPECT TO THESE PRODUCTS AND ANY RELATED SOFTWARE. MANUFACTURER FURTHER DISCLAIMS ANY OTHER IMPLIED WARRANTY UNDER THE UNIFORM COMPUTER INFORMATION TRANSACTIONS ACT OR SIMILAR LAW AS ENACTED BY ANY STATE.

(USA only) SOME STATES DO NOT ALLOW THE EXCLUSION OF IMPLIED WARRANTIES, SO THE ABOVE EXCLUSION MAY NOT APPLY TO YOU. THIS WARRANTY GIVES YOU SPECIFIC LEGAL RIGHTS AND YOU MAY ALSO HAVE OTHER LEGAL RIGHTS THAT VARY FROM STATE TO STATE. MANUFACTURER MAKES NO REPRESENTATION, WARRANTY, COVENANT OR PROMISE THAT ITS ALARM PRODUCTS AND/OR RELATED SOFTWARE (I) WILL NOT BE HACKED, COMPROMISED AND/OR CIRCUMVENTED; (II) WILL PREVENT, OR PROVIDE ADEQUATE WARNING OR PROTECTION FROM, BREAK-INS, BURGLARY, ROBBERY, FIRE; OR (III) WILL WORK PROPERLY IN ALL ENVIRONMENTS AND APPLICATIONS.