

HD-TVI Analog Dome Cameras

5MPx
Resolution Cameras



OVERVIEW

TruVision® HD-TVI Dome Cameras from Interlogix deliver cost-effective surveillance with 5MPx resolution HD-TVI technology over existing coaxial cable. With quick and easy installation, HD-TVI Dome Cameras are ideal for new or existing projects and can help users stay within budget constraints without compromising security needs.

The dome cameras are IP67 rated for outdoor installations and IK10 impact resistant.

These cameras are specifically designed for use with TruVision HD-TVI DVRs that support 3MPx or higher resolution HD-TVI cameras. There is no limitation for 3MPx resolution cameras (up to max channels). Support for the 5MPx resolution is limited to specific BNC ports, based on the recorder. Refer to the TruVision HD-TVI recorder guidelines for more details. Please note that the first generation TruVision HD-TVI DVRs will not support these cameras.

STANDARD FEATURES

Video

- 5MPx resolution
- HD-TVI output
- Fixed and motorized lens
- HD-TVI technology for transmitting HD quality video over existing coax cable

Video Enhancements

- Provides Digital Wide Dynamic Range (DWDR)
- True day/night functionality and infrared illuminators with Smart IR function for capturing images in various lighting scenarios


Installation and Environment

- IP67 Environmental rating
- IK10 impact rating
- Coax OSC control
- Cable protection/management
- Multiple mounting options

Warranty

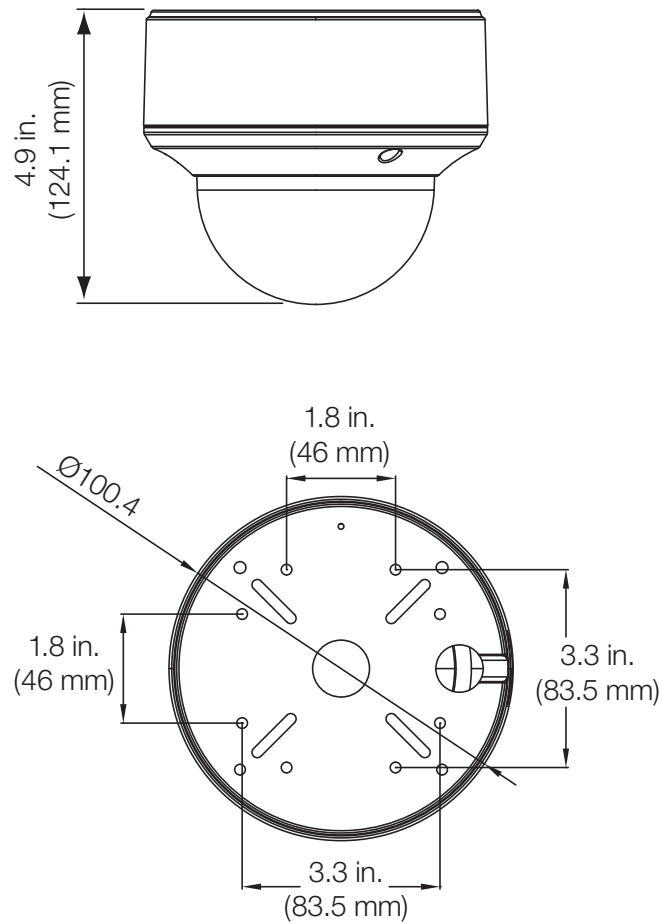
- 3-year warranty

Specifications

		TVD-4406 TVD-2406
		
Camera	Sensor	5 MPx Progressive Scan CMOS
	Standard	HD-TVI
	Signal System	NTSC/PAL
	Resolution	5MPx Analog
	Effective Pixels	2592 (H) × 1944 (V)
	Selectable via OSD (using higher resolution DVR)	2560 (H) × 1944 (V) @ 12.5 fps or 1920 (H) × 1080 (V) @ 25/30 fps
	Synchronization	Internal
	Day/Night	Day/Night IR cut filter with auto switch
	Wide Dynamic Range	DWDR
	Electronic Shutter	NTSC: 1/30 s to 1/50,000 s; PAL: 1/25 s to 1/50,000 s
	Minimum Illumination	0.01Lux @ (f1.2, AGC On), 0 Lux with IR
	Digital S/N Ratio	>62dB
	Lens	2.8-12mm motorized VF
	IR Range	132 ft. (40m)
	On Screen Display (OSD)	TruVision Coax OSD control on TVI or OSD menu button
	OSD Languages	English/Chinese
Video Output	5MPx or 1080P TVI (only selectable via OSD when connected to 5MPx TVI recorder)	
Video Connector	1 - 75W BNC	
Intelligence	Mirror, Defect pixel correction, Smart IR	
Electrical/Mechanical	Voltage Input	12VDC/24VAC
	Current	12VDC: 580mA; 24VAC: 416mA
	Power Consumption	12VDC: 7W (Max.); 24VAC: 7W (Max.)
	Dimensions	5.72 × 4.89 in. (145.2 × 124.1mm)
	Weight	3.53 lb. (1600g)
Environmental	Operating Temperature	-40°F~140°F (-40°~60°), Humidity <90% (non-condensing)
	Environmental Rating	IP67, IK10
Regulation	Compliance	FCC, CE, UL, WEEE, RoHS, REACH

Dimensional Diagrams

TVD-4406, TVD-2406 Dome



Important Notes: There are restrictions/rules when using HD-TVI 5MPx cameras with TruVision TVI recorders:

- The HD-TVI 5MPx cameras only work with the higher resolution HD-TVI recorders (TVR15HD or TVR45HD, or higher), firmware version 1.1 (or higher)
- There is a maximum number of HD-TVI 5MPx cameras that are supported per TruVision HD-TVI recorder
- The HD-TVI 5MPx cameras are only supported on specific ports of the TruVision HD-TVI Recorders

Guidelines:

- The TVR15HD Four Channel recorder, (FW v1.1 or higher) – supports a maximum of one HD-TVI 5MPx camera on BNC port 1.
- The TVR15HD/TVR45HD Eight Channel recorders, (FW v1.1 or higher) – supports up to two HD-TVI 5MPx cameras on BNC ports 1 and 2.
- The TVR15HD/TVR45HD Sixteen Channel recorders, (FW v1.1 or higher) – supports up to four HD-TVI 5MPx cameras on BNC ports 1, 2, 3 and 4.

HD-TVI Analog Dome Cameras

5 MPx Resolution Cameras

Ordering Information

NTSC	
TVD-4406	TruVision® HD-TVI Dome Camera, 5MPx (used w/5MPX or higher TVI recorders), 2.8~12mm Motor Lens, True D/N, DWDR, 40M IR, HD-TVI Output, Coax and Button OSD Control, 12VDC/24VAC, IP67, IK10, NTSC
PAL	
TVD-2406	TruVision HD-TVI Dome Camera, 5MPx (used w/5MPX or higher TVI recorders), 2.8~12mm Motor Lens, True D/N, DWDR, 40M IR, HD-TVI Output, Coax and Button OSD Control, 12VDC/24VAC, IP67, IK10, PAL

Accessories

TVD-CB3	TruVision Dome 3" Cup Base
TVD-LWB-AD	TruVision TVD-LWB Wall Mount Bracket Adapter Plate for TVD-SNB-BB Back Box
TVD-LWB-2	TruVision Dome Bracket, L-Shape. Indoor (use w/TW Analog/IP Wedge and HD-TVI/IP Motorized Lens Outdoor Domes)
TVD-M2-WM	TruVision Dome Wall Mount (use w/TVD Analog/HD-TVI/IP VF Domes; Fixed Lens HD-TVI/IP Domes and IP Wedge via DR-RWM-AD)
TVD-PPB	TruVision Dome Pendant-Mount Bracket (use w/TVD-CB2, TVD-CB3, TVD-CB5A, TVW-DVM)
TVD-SNB	TruVision Dome Swan Neck Bracket (use w/TVD-CB2, TVD-CB3, TVD-CB5A, TVW-DVM)
TVD-SNB-BB	TruVision TVD-SNB Back Box, 4-directional Conduit, Indoor & Outdoor
TVD-VFM	Flush Mount for VF Lens Dome
TVD-LWB-S	Dome Shield for TVD-LWB mount
TVD-M-CMA	Corner Mount (for wall mount)
TVD-M-PMA	Pole Mount (for wall mount)



interlogix.com

Specifications subject to change without notice.

© 2017 United Technologies Corporation.
All rights reserved.

All trademarks are the property of their respective owners.
Interlogix is part of UTC Climate, Controls & Security,
a unit of United Technologies Corporation.

2017/08 88471