

TVE Series IP Video Encoders

1-, 4-, 8- and 16-Channel



OVERVIEW

The TruVision TVE Series IP Video Encoders from Interlogix includes 1-, 4-, 8- and 16-channel encoders, allowing users to transform analog camera signals to a high-quality H.264 compressed IP signal. These encoders also support 960H (Wide D1) that provides higher resolution, which will produce clearer images in a variety of applications. The TruVision TVE Series IP Video Encoders are an ideal solution to gradually upgrade video surveillance systems and migrate from analog to IP. Rather than replacing entire systems, viable analog cameras can be integrated on new IP-based systems, simply by using the range of TruVision encoders.

The TruVision TVE Series IP Video Encoders utilize H.264 compression with dual-streaming capability, making it easy to manage bandwidth usage. These encoders are designed to adhere to ONVIF Profile S open standards, and also support a CGI command set for simple integration into any IP system. Video streams can be set for high and low bandwidth and images can be streamed for live viewing or sent to a designated recording location.



STANDARD FEATURES

Video Encoding Capabilities

- 1-, 4-, 8- and 16-channel encoders
- Supports H.264, MPEG4 and MJPEG compression
- Encoding resolution 960H (960 x 480), 4CIF, 2CIF, CIF, QCIF
- Dual-streaming functionality

Audio, Data and Alarms

- Supports two-way audio
- 64 kbps bit rate
- Line-level input and 600 Ω output
- RS-485 (half-duplex) serial interface
- Supports alarm input/output

Compatibility

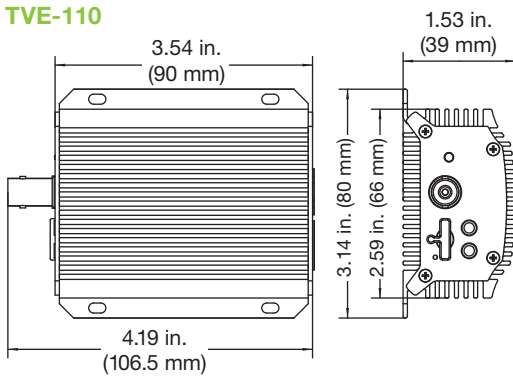
- Compatible with Interlogix® TruVision Decoders and TruVision NVRs
- Supports OnVIF Profile S and CGI
- Discoverable via the TruVision Device Manager

Warranty

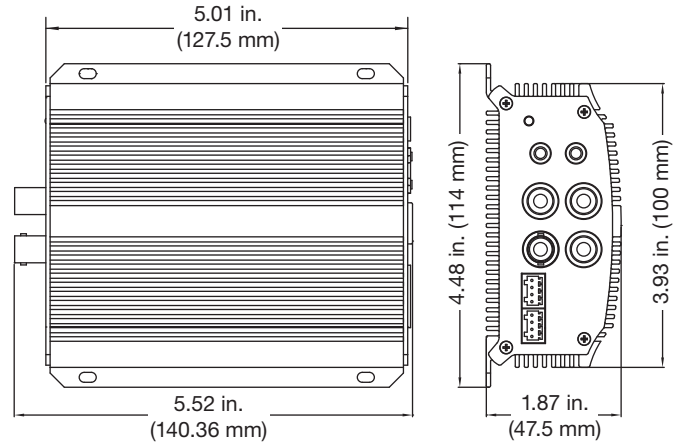
- 3-year warranty

Dimensional Diagrams

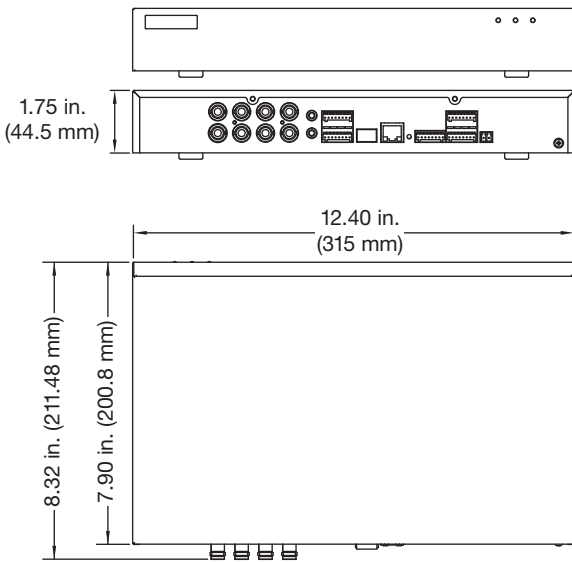
TVE-110



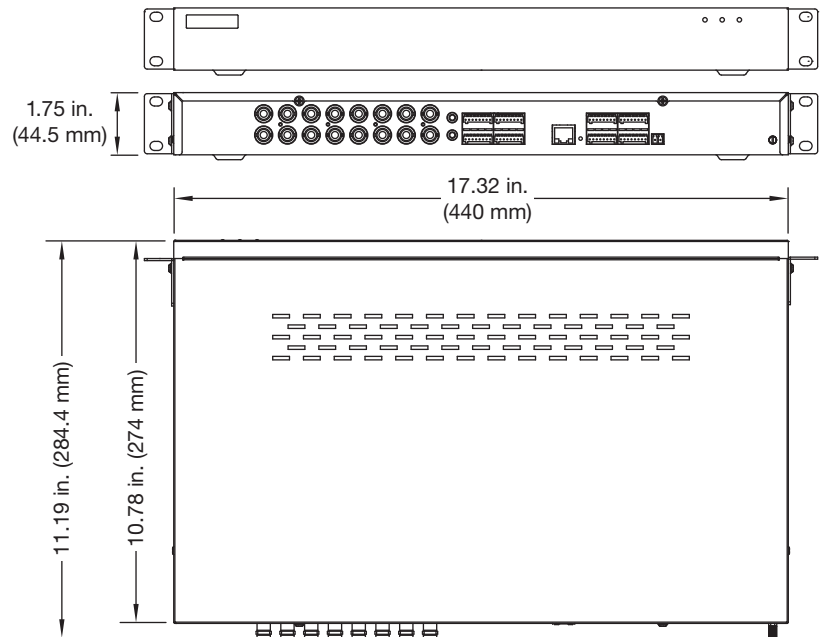
TVE-410



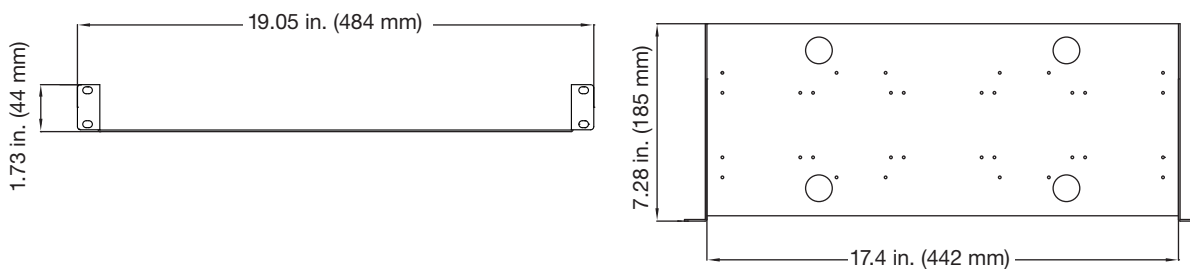
TVE-810







TVE-1610



TVE-RMB



Specifications

Model	TVE-110	TVE-410	TVE-810	TVE-1610	
Description					
Video/Audio Input	Video Compression				
	H.264 / MPEG4 / MJPEG				
	Analog Video Input				
	BNC connector (1.0 Vp-p, 75 Ω); NTSC/PAL adaptive				
	No. of Analog Channels	1	4	8	16
	Audio Compression				
G.711u					
Audio Input (for audio monitoring sensor with power supply)	1-ch, 3.5mm interface (Using Line in)	4-ch pin connector interface (2.0 Vp-p, 1 kΩ)	8-ch pin connector interface (2.0 Vp-p, 1 kΩ)	16-ch pin connector interface (2.0 Vp-p, 1 kΩ)	
Bi-directional Audio Input (for microphone with power supply)	1-ch, 3.5mm interface (2.0 Vp-p, 1 kΩ)	1-ch, 3.5 mm audio (2.0 Vp-p, 1 kΩ)			
Video/Audio Output	Encoding Resolution				
	960H (960 x 480) / 4CIF (704 x 480) / 2CIF (704 x 240) / CIF (352 x 240) / QCIF (176 x 120)				
	Frame Rate				
	H.264/MPEG4/MPEG2 encoding: 25 fps / 30 fps; MJPEG encoding: 15 fps				
	Stream Type				
	Video / Video & Audio				
	Dual Stream				
	Supported				
	Main Stream Frame Rate	960H (Wide D1) / 4CIF / 2CIF / CIF @ 30 fps (60Hz) / 25 fps (P)			
	Sub Stream Frame Rate	960H (Wide D1) @ 2 fps / 4CIF @ 4 fps / 2 CIF @ 8 fps / CIF @ 12 fps / QCIF @ 30 fps (N) / 25 fps (P)			
Video Bit Rate	32 kbps ~ Max. 8192 kbps				
Audio Output (for speaker with power supply)	1-ch, 3.5mm interface (Linear, 600 Ω)				
Audio Bit Rate	64 kbps				
Two-way Audio	Supported				
External Interface	Network Interface				
	1 RJ45 10/100Mbps auto-negotiate Ethernet Interface				
	Serial Interface				
	1 RS-485 interface, half-duplex				
Alarm In	1	4	8	16	
Alarm Out	1	2	4	4	
Miscellaneous	Protocol				
	Support ONVIF Profile S, PSIA and CGI				
	PTZ Control Protocol				
	TruVision RS-485, TruVision RS-422 protocol, Pelco-D, Pelco-P				
	Watermark				
	Yes				
NAS					
Yes					
Motion Detection					
Yes					
Local Storage	Micro SD/SDHC card slot, up to 32 GB (card not included)		N/A		
Electrical & Mechanical	Voltage/PoE		12VDC / N/A		
	Current	500 mA	670 mA	850 mA	1.85 A
	Consumption	6W (Max.)	8W (Max.)	10W (Max.)	22W (Max.)
	Operating Temperature				
	14°F~131°F (-10°C~+55°C)				
	Operating Humidity				
	10%~90%				
	Dimensions	3.2 x 1.5 x 3.5 in. (80 x 39 x 90mm)	4.5 x 1.9 x 5 in. (114 x 48 x 128mm)	12.4 x 1.8 x 7.9 in. (315 x 45 x 200mm)	17.3 x 1.8 x 10.8 in. (440 x 45 x 274mm)
Weight	0.6 lbs. (270g)	1.23 lbs. (557g)	3.08 lbs. (1396g)	5.48 lbs. (2486g)	
Installation	Desktop and rack-mount. For rack mounting the TVE-110/410/810 encoders, use the TVE-RMB rack mount bracket.				
Regulation	Compliance				
	FCC, CE, UL, C-Tick, REACH, RoHS, WEEE				

TVE Series IP Video Encoders

1-, 4-, 8- and 16-Channel

Ordering Information

TVE-110	TruVision® IP Encoder, 1-Channel, 960H, Audio, Alarm, RS-485, PoE (802.3-af) / 12VDC, Compact
TVE-410	TruVision IP Encoder, 4-Channel, 960H, Audio, Alarm, RS-485, PoE (802.3-af) / 12VDC, Compact
TVE-810	TruVision IP Encoder, 8-Channel, 960H, Audio, Alarm, RS-485, 12VDC, Desktop
TVE-1610	TruVision IP Encoder, 16-Channel, 960H, Audio, Alarm, RS-485, 12VDC, 19", Rack Mount

Accessory

TVE-RMB	TruVision Encoder Rack Mount Bracket (use with TVE-110/410/810)
----------------	---



interlogix.com

Specifications subject to change without notice.

© 2015 United Technologies Corporation.
All rights reserved.

All trademarks are the property of their respective owners.
Interlogix is part of UTC Building & Industrial Systems,
a unit of United Technologies Corporation.

507-3949 2015/08 (81582)