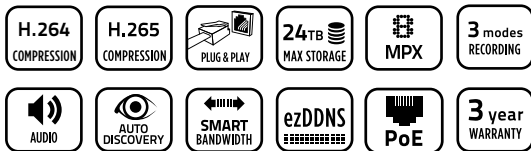


TruVision[®] NVR 22S

H.265 Network PoE
Video Recorder



OVERVIEW

The TruVision NVR 22S (TVN 22S) from Interlogix is a plug-and-play H.264/H.265 network video recorder with up to 16 built-in PoE ports designed to support video streams from H.265 or H.264 IP cameras and encoders. With a total of 80/160 Mbps (8- or 16-channel models) of incoming bandwidth available, the TVN 22S can support up to 16 cameras at HD resolution in real-time (30fps) and many other configurations. The on-board PoE ports support up to 200 watts for ease of installation and flexible bandwidth allocation per channel allows users to maximize recording performance. In addition to browser, software and mobile device management tools, the familiar front panel controls allow for easy operation.

IP camera support includes resolutions ranging from standard VGA to 8.0 megapixel, including Interlogix[®] and third-party IP cameras via ONVIF*. The TVN 22S also supports TruVision encoders for integrating existing analog cameras. Up to four internal hard disk drives may be configured for a total internal hard drive capacity of 24TB, making the TVN 22S ideal for extended storage or megapixel camera applications.

Recording options include continuous, motion, and alarm or combined scheduled recording modes. Motion recording utilizes an IP camera's built-in motion detection events, and alarms can be triggered from any of the 16 on-board alarm inputs or from alarm inputs that reside on the IP camera.

Software connectivity allows remote access to the recorder's full capabilities via Web browser or TruVision Navigator. TruVision TVRMobile also allows for remote device access via smartphone or tablet. Configuration is quick and easy through startup wizards, IP device auto-discovery tools and ezDDNS service.

**Support from third-party IP cameras may vary.*

STANDARD FEATURES

Camera Support

- TruVision IP cameras from VGA ~ 8MPx
- TruVision single and multi-port encoders
- ONVIF Profile S support for 3rd-party camera integration
- RTSP Stream capability

Recording Capabilities

- H.264/H.265 compression supported
- Up to 8/16 HD cameras in real-time (30fps)
- 80/160Mbps for incoming streams
- Continuous, motion, event or scheduled recording modes
- Audio recording with capable IP cameras
- Watermarking for video authentication
- Up to 24TB of storage with front accessible hard disk storage
- External hard drive (eSATA) support
- Local USB archiving

Installation and Operation

- Rack mountable – 1.5 RU
- Up to 16-ports embedded PoE Switch
- Intuitive and logical user interface
- ezDDNS

Local or Remote Control and Monitoring

- Triple monitor support – HDMI (1), VGA (1) and analog (1)
- 16 on-board alarm inputs and 4 configurable alarm outputs
- PTZ and dome camera control via mouse, front panel, IR remote or optional keypad
- Compatibility with TruVision Navigator and mobile app software
- Mac[®] Safari[®] browser plug-in

TruVision® NVR 22S

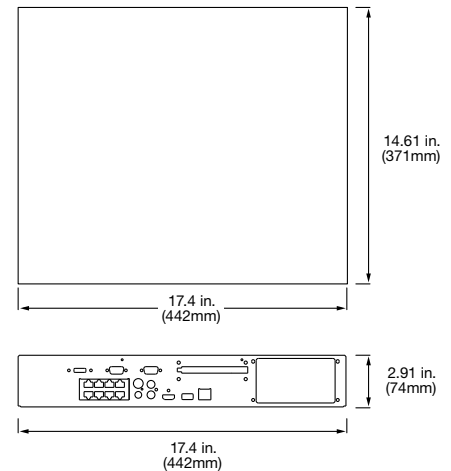
H.265 Network PoE Video Recorder



Specifications

Model	TVN-2208S	TVN-2216S	
Video/Audio Input	IP Video Input	8-channel	16-channel
	Bi-directional Audio	RCA (2.0 Vp-p, 1kΩ)	
	Total Bandwidth	80Mbps	160Mbps
Video/Audio Output	Recording Resolution	8MP /6MP /5MP /4MP /3MP /1080P /UXGA /720P /VGA /4CIF /DCIF /2CIF /CIF /QCIF	
	Analog Output	(1) BNC (1.0 Vp-p, 75 Ω) resolution: 704 × 576 (PAL); 704 × 480 (NTSC)	
	HDMI Output	(1) Resolution: 3840 × 2160 /60Hz, 2560 × 1440 /60Hz, 1920 × 1080 /60Hz, 1600 × 1200 /60Hz, 1280 × 1024 /60Hz, 1280 × 720 /60Hz, 1024 × 768 /60Hz	
	VGA Output	(1) Resolution: 1920 × 1080P /60Hz, 1600 × 1200 /60Hz, 1280 × 1024 /60Hz, 1280 × 720 /60Hz, 1024 × 768 /60Hz	
	Audio Output	2-channel, RCA (Linear, 600Ω)	
	Playback Resolution	8MP /6MP /5MP /4MP /3MP /1080P /UXGA /720P /VGA /4CIF /DCIF /2CIF /CIF /QCIF	
	Synchronous Playback	8-channel	16-channel
Hard Disk	SATA	(4) SATA interfaces	
	eSATA	(1) eSATA interface	
	Capacity	6TB capacity for each HDD	
External Interface	Network Interface	(1) RJ-45 10/100/1000 Mbps, Auto-negotiate, Ethernet port	
	Serial Interface	(1) RS-232 interface (for parameters configuration, maintenance, transparent channel); (1) RS-485 interface (reserved)	
	USB Interface	(2) USB 2.0 ports (front panel); (1) USB 3.0 port (rear panel)	
	Alarm In	16	
	Alarm Out	4	
Power over Ethernet	PoE ports	8	16
	PoE Standard	802.3-af/at	
	Total PoE budget	120 watts	200 watts
	Maximum budget per port	30W	
General	Power Supply	100~240VAC, 6.3A, 50~60Hz	
	Consumption (without hard disk)	≤ 45 W	
	Working Temperature	-10°C ~+55°C (14°F~131°F)	
	Working Humidity	10%~90%	
	Chassis	1.5U	
	Dimensions (W x D x H)	17.40 × 14.61 × 2.91 in. (442 × 371 × 74mm)	
	Weight (without hard disk)	≤ 8 Kg (17.64 lb)	
	Rack Mount	Included	

Dimensional Diagram



Accessories

TVN-20XX-HDD-2T	TruVision NVR HDD Expansion Kit, 2TB Storage
TVN-HDD-4T	TruVision NVR HDD Expansion Kit, 4TB Storage
TVN-HDD-6T	TruVision NVR HDD Expansion Kit, 6TB Storage

Ordering Information

TVN-2208S-4T	TruVision NVR 22S, H.265, 8-Channel IP, 8-Channel PoE, 4TB Storage
TVN-2208S-8T	TruVision NVR 22S, H.265, 8-Channel IP, 8-Channel PoE, 8TB Storage
TVN-2208S-12T	TruVision NVR 22S, H.265, 8-Channel IP, 8-Channel PoE, 12TB Storage
TVN-2216S-4T	TruVision NVR 22S, H.265, 16-Channel IP, 16-Channel PoE, 4TB Storage
TVN-2216S-8T	TruVision NVR 22S, H.265, 16-Channel IP, 16-Channel PoE, 8TB Storage
TVN-2216S-12T	TruVision NVR 22S, H.265, 16-Channel IP, 16-Channel PoE, 12TB Storage
TVN-2216S-24T	TruVision NVR 22S, H.265, 16-Channel IP, 16-Channel PoE, 24TB Storage



interlogix.com

Specifications subject to change without notice.

© 2016 United Technologies Corporation.
All rights reserved.

All trademarks are the property of their respective owners. Interlogix is part of UTC Climate, Controls & Security, a unit of United Technologies Corporation.

2017/01 (GSP-2041)