

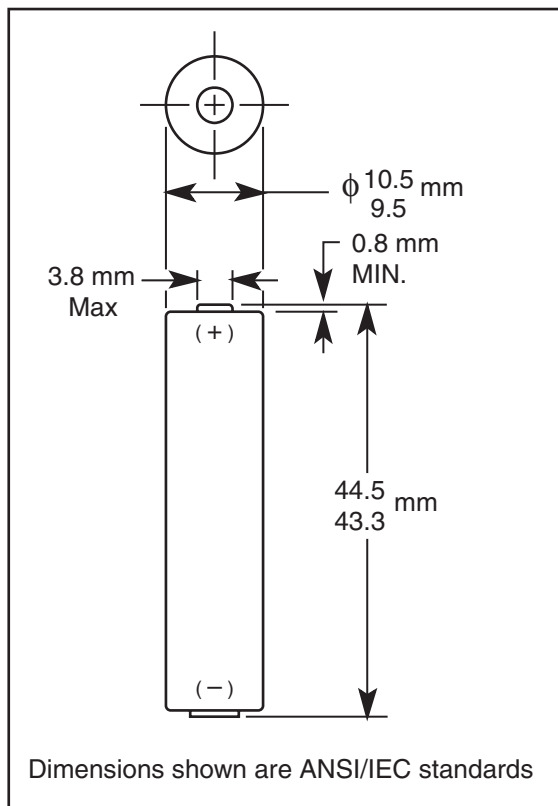


# Alkaline-Manganese Dioxide Battery

PC 2400

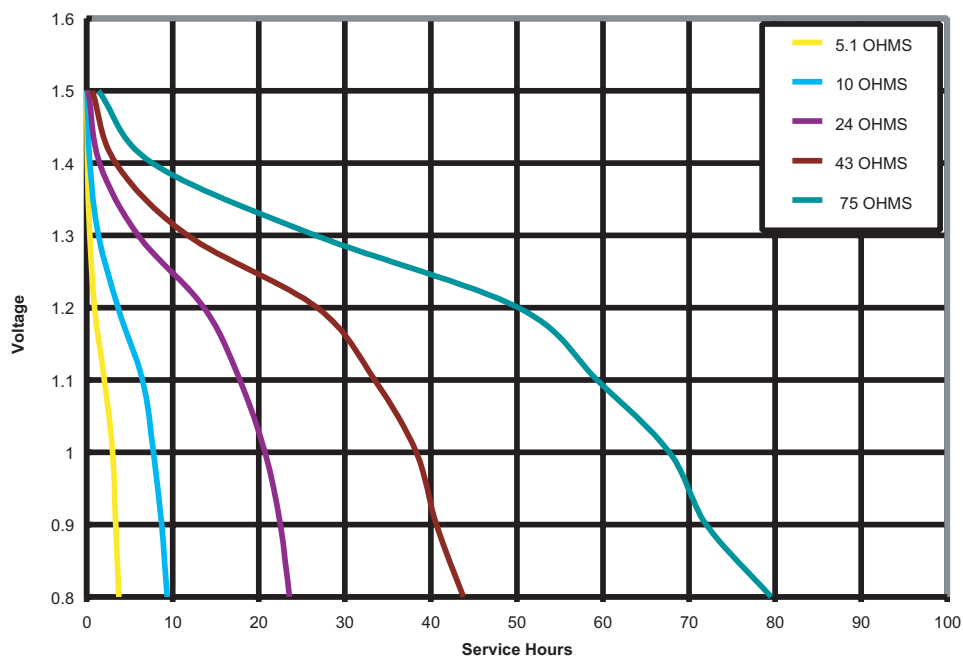
Size: AAA (LR03)

Zn/MnO<sub>2</sub>



<b>Nominal Voltage:</b>	1.5 V
<b>Nominal Internal Impedance:</b>	250 m-ohm @ 1kHz
<b>Average Weight:</b>	11 gm (0.39 oz.)
<b>Volume:</b>	3.5 cm <sup>3</sup> (0.21 in. <sup>3</sup> )
<b>Terminals:</b>	Flat
<b>Operating Temperature Range:</b>	-20°C to 54°C (-4°F to 130°F)
<b>ANSI:</b>	24A
<b>IEC:</b>	LR03

## TYPICAL DISCHARGE CHARACTERISTICS AT 21°C (70°F)



\* Delivered capacity is dependent on the applied load, operating temperature and cut-off voltage. Please refer to the charts and discharge data shown for examples of the energy / service life that the battery will provide for various load conditions.

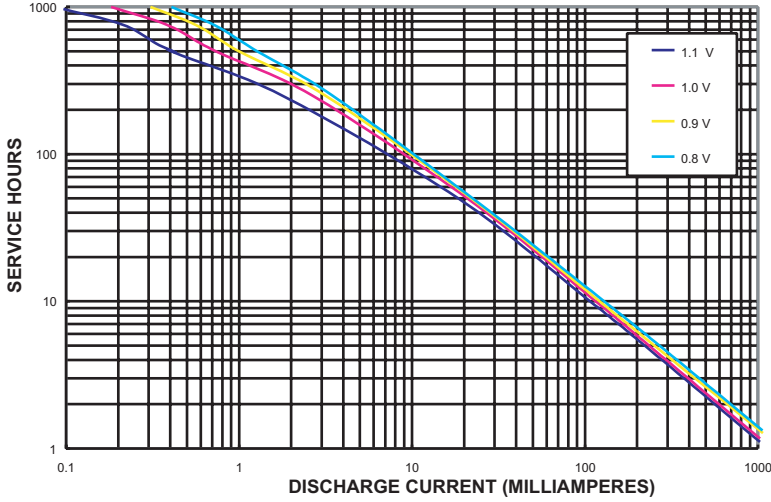


# Alkaline-Manganese Dioxide Battery

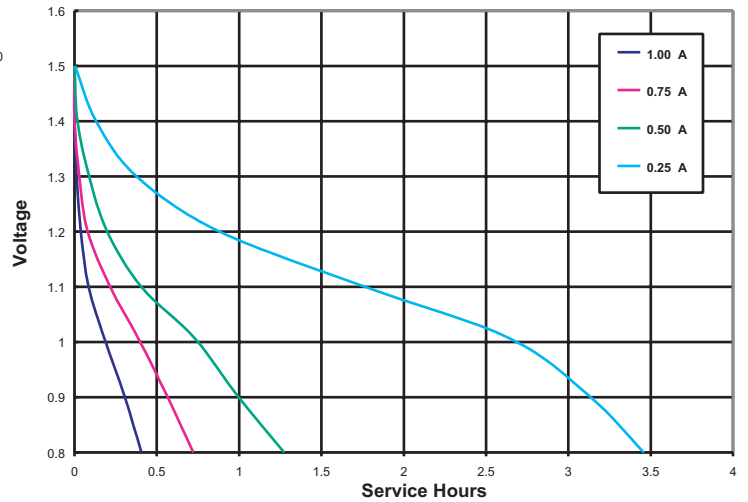
PC 2400  
Size: AAA (LR03)

Zn/MnO<sub>2</sub>

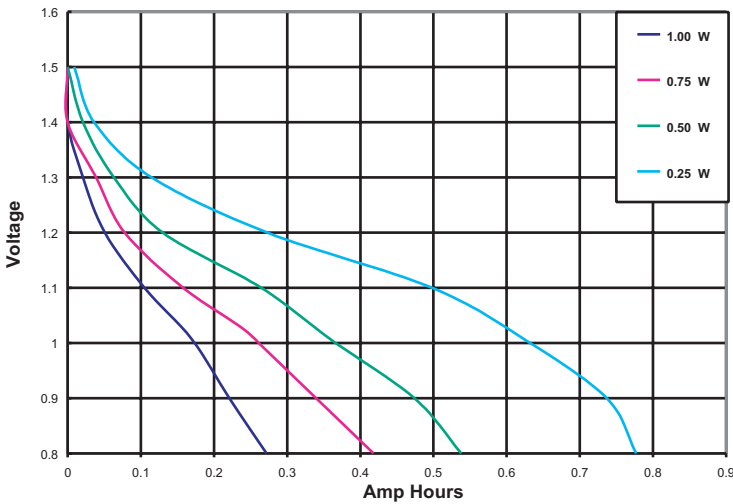
TYPICAL CONSTANT CURRENT DISCHARGE CHARACTERISTICS AT 21°C (70°F)



TYPICAL DISCHARGE CHARACTERISTICS AT 21°C (70°F)



TYPICAL DISCHARGE CHARACTERISTICS AT 21°C (70°F)



**DURACELL**<sup>®</sup>  
BATTERIES

Berkshire Corporate Park  
Bethel, CT 06801 U.S.A.  
Telephone: Toll-free 1-800-544-5454  
Internet: [www.duracell.com](http://www.duracell.com)

\* Delivered capacity is dependent on the applied load, operating temperature and cut-off voltage. Please refer to the charts and discharge data shown for examples of the energy / service life that the battery will provide for various load conditions.