

## DS-2CE78H8T-IT3F 5 MP Outdoor Ultra-Low Light Camera

### TurboHD™



- 5 MP High Performance CMOS
- 2560 × 1944 Resolution
- 2.8 mm or 3.6 mm Fixed Lens
- EXIR 2.0, Smart IR, up to 197 ft (60 m) IR Distance
- OSD Menu, 3D DNR, 130 dB True WDR
- 4 in 1 Video Output (Switchable TVI/AHD/CVI/CVBS)
- IP67
- Up-the-Coax (Hikvision-C)

The Hikvision DS-2CE78H8T-IT3F 5 MP Outdoor Ultra-Low Light Camera provides a 2560 x 1944 resolution, 5 MP high performance CMOS sensor. 130 dB true WDR offers improved image quality, and EXIR 2.0 Smart IR features 197 ft (60 m) IR distance.

Lens options include 2.8 mm and 3.6 mm fixed lenses. The camera supports Up-the-Coax (Hikvision-C) protocol to send high-resolution video over existing coaxial cable.

#### Available Models:

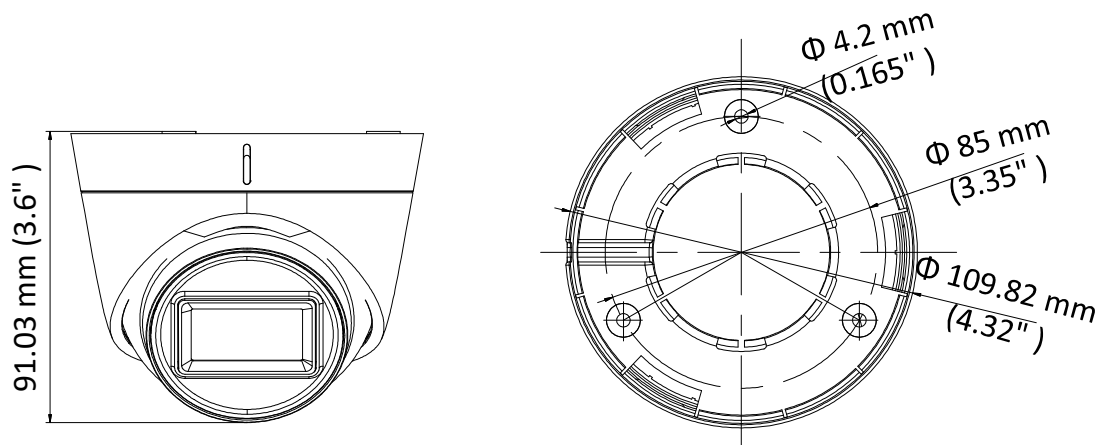
DS-2CE78H8T-IT3F



# Specifications

Camera	
Image Sensor	5 MP progressive scan CMOS
Signal System	NTSC
Resolution	2560 (H) × 1944 (V)
Minimum Illumination	Color: 0.003 lux @ (f/1.2, AGC on), 0 lux with IR
Frame Rate	TVI: 2 MP @ 25 fps, 2 MP @ 30 fps, 4 MP @ 25 fps, 4 MP @ 30 fps, 5 MP @ 20 fps AHD: 4 MP @ 25 fps, 4 MP @ 30 fps, 5 MP @ 20 fps CVI: 4 MP @ 25 fps, 4 MP @ 30 fps CVBS: PAL, NTSC
Shutter Speed	NTSC: 1/30 s to 1/50,000 s
Lens	2.8 mm, 3.6 mm fixed lens
Horizontal Field of View	98° (2.8 mm), 78° (3.6 mm)
Lens Mount	M12
Day/Night	IR cut filter
Angle Adjustment (Bracket)	Pan: 0° to 360°, tilt: 0° to 75°, rotate: 0° to 360°
Synchronization	Internal synchronization
WDR (Wide Dynamic Range)	≥130 dB
Menu	
AGC	Yes
Day/Night Mode	Auto/color/BW (black and white)
White Balance	Auto/manual
BLC (Backlight Compensation)	Yes
WDR	Yes
3D DNR	Level 1 to 9
Privacy Mask	4 programmable privacy masks
Motion Detection	4 programmable areas
Language	English
Functions	Brightness, sharpness, 3D DNR, mirror, smart IR
Interface	
Video Output	1 HD analog output
Switch Button	TVI/AHD/CVI/CVBS
General	
Operating Conditions	-40° to 140° F [-40° to 60° C], humidity: 90% or less (non-condensing)
Power Supply	12 VDC ±25% <i>(you are recommended to use one power adapter to supply power for one camera)</i>
Power Consumption	Maximum 5.8 W
Protection Level	IP67
Material	Enclosure: plastic, main body: metal
IR Range	Up to 197 ft (60 m)
Communication	Up-the-Coax, protocol: HIKVISION-C (TVI output)
Dimensions	Φ4.32" × 3.6" (Φ109.82 mm × 91.03 mm)
Weight	Approximately 0.68 lb (310 g)

# Dimensions



## Accessories (not included)

				
<b>PC110T + WMS</b> 110 mm Pendant Cap + Wall Mount Short	<b>PM</b> Pole Mount	<b>CM</b> Corner Mount	<b>ABS</b> Inclined Ceiling Mount	<b>CBXS</b> Conduit Base