

DS-2TP21B-6AVF/W¹ Thermographic Handheld Camera



- Resolution: 160 × 120 Thermal, 8 MP Optical
- Thermographic Accuracy up to $\pm 0.9^{\circ}\text{F}$ ($\pm 0.5^{\circ}\text{C}$) at 3.3 ft to 6.6 ft (1.0 m to 2.0 m)
- Display Fusion of Thermal and Optical Views
- 640 × 480 Resolution 3.5" LCD Touch Display
- Supports Live View on PC or Mobile Device
- Supports Audio Intercom
- Supports Color Highlight Alarm and Audio Alarm

The Hikvision DS-2TP21B-6AVF/W Thermographic handheld camera is specially designed for temperature measurement applications, where heat leaks and other abnormal changes in temperature must be identified.

It is equipped with a 160×120 resolution thermal detector and 8 MP optical resolution. It combines thermal and optical images into a fusion display.

Available Models:

DS-2TP21B-6AVF/W



¹**U.S. Disclaimer:** Hikvision Highly Accurate Thermographic Cameras and Terminals (HAT Cameras and Terminals) are not FDA-cleared or approved. The HAT Cameras and Terminals shall not be solely or primarily used as an effective diagnostic device for COVID-19. Elevated body temperature should be confirmed with secondary evaluation methods (e.g., an NCIT or clinical grade contact thermometer). Users, through their experience with the Hikvision HAT Cameras and Terminals in the particular environment of use, should determine the significance of any fever or elevated temperature based on the skin telethermographic temperature measurement. Visible thermal patterns are intended only for locating the points from which to extract the thermal measurement.

To ensure the accuracy of the human skin-surface temperature measurement, the technology shall be used to measure only one subject's temperature at a time and shall not be used to measure multiple individuals' temperatures simultaneously.

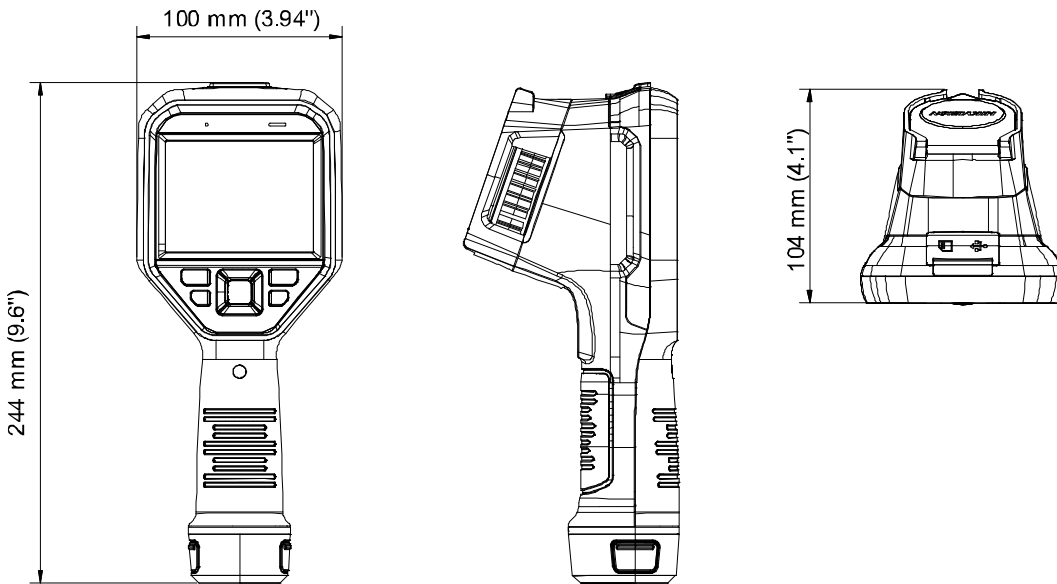
Canada Disclaimer: Hikvision Elevated Skin Temperature Cameras and Terminals (EST Cameras and Terminals) shall not be solely or primarily used as an effective diagnostic device for COVID-19. Elevated body temperature should be confirmed with secondary evaluation methods (e.g., a Health Canada approved contact thermometer). Users, through their experience with the Hikvision EST Cameras and Terminals in the particular environment of use, should determine the significance of any fever or elevated temperature based on the skin telethermographic temperature measurement. Visible thermal patterns are intended only for locating the points from which to extract the thermal measurement.

To ensure the accuracy of the human skin-surface temperature measurement, the technology shall be used to measure only one subject's temperature at a time and shall not be used to measure multiple individuals' temperatures simultaneously.

Specifications

DS-2TP21B-6AVF/W	
Thermal Module	
Image Sensor	Uncooled focal plane arrays
Resolution	25 Hz: 160 × 120
Pixel Pitch	17 μm
Response Waveband	8 μm to 14 μm
NETD	<40 mK (@ 25° C, F#=1.0)
Field of View	25° × 18.7°
Focal Length	6.2 mm (manual focus)
IFOV	2.74 mrad
Aperture	f/1.1
Optical Module	
Picture Resolution	Configurable: 2 MP, 5 MP, 8 MP
Video Resolution	640 × 480
Monitor	640 × 480 resolution 3.5" LCD touch display
Palettes	Black hot, white hot, red hot, rainbow, ironbow, fusion, rain
Image Display	
Digital Zoom	Thermal: 1x, 2x, 4x
Thermal/Optical	Thermal/optical/fusion image/picture-in-picture
Picture-in-Picture	Supports thermal view in optical view
Fusion	Supports thermal view and optical view combined
Record Video	Supports on-board video recording
Thermography	
Rules	Maximum temperature; minimum temperature; center temperature; custom point/line/area thermography
Accuracy	±0.9° F (±0.5° C) at 3.3 ft to 6.6 ft (1.0 m to 2.0 m)
Recommended Subject Distance	3' 4" to 6' 7" (1 m to 2 m)
Battery	
Battery Type	Removable, li-ion battery rechargeable via USB-C port
Battery Operating Time	5 hours in normal temperature, with Wi-Fi and Bluetooth off 4 hours in normal temperature, with Wi-Fi and Bluetooth on
Storage	Built-in microSD slot, 128 GB maximum (16 GB pre-installed), which can be accessed via PC through the USB-C port
Photo	Thermal/optical/fusion image
Video	Thermal/optical/fusion image
Wi-Fi	Supported
Text Comment	Supported
Voice Comment	Supported
Language	English
General	
Power	5 VDC/2 A
Power Consumption	Maximum 4.5 W
Hardware Interface	USB-C
Working Temperature	50° to 95° F (10° to 35° C) indoor and windless environment use only
Protection Level	IP54
Drop Test Height	6.56 ft (2 m)
Display Interface	LCD touchscreen
Mounting Option	¼ tripod screw
Dimensions	9.6" × 3.9" × 4.1" (244 mm × 100 mm × 104 mm)
Weight	With battery: 1.44 lb (653 g) Without battery: 1.13 lb (511 g)

Dimensions



Accessories



Box Contents (Subject To Change)

User manual
5 V @ 2.0 A power supply
Power plug adapters (6 types)
USB-C cable (USB-C to USB-A)
Wrist strap (pre-installed)
3.7 V, 5000 mAh li-ion battery (pre-installed)
16 GB microSDHC card (pre-installed)
Protective hard case