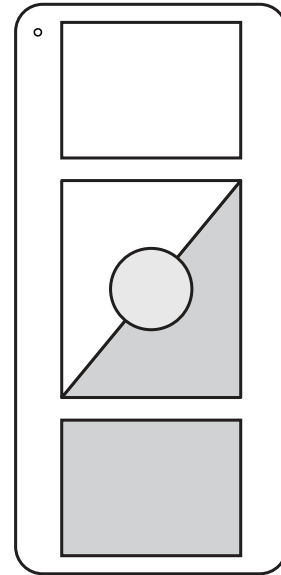


## Pico™ Wireless Control and Tabletop Pedestal

The *Pico* Wireless Control is a flexible and easy to use device that allows the user to control Sivoia® QS wireless shades and drapes, and Radio Ra®-SR lighting devices. The *Pico* can function as a tabletop control on a pedestal, a lightweight handheld remote, or it can be wall-mounted within a Lutron Claro® faceplate, to mimic a traditional keypad. The battery operated control requires no external power or communication wiring.

### Features

- Provides control for a *Sivoia* QS wireless shading system, *RadioRa*-SR system and *GRAFIK Eye*® QS wireless system, allowing users to:
  - Open and close shades or drapes, or turn lights on and off
  - Raise and lower shades, drapes, or lighting levels
  - Recall a favorite shade or drape position, or lighting level.
- Control of one or more zones on the *GRAFIK Eye* QS Wireless: turns zone(s) on or off, raises/lowers zone(s), and goes to user-programmable preset level
- Scene control: the *Pico* wireless control can access scene 1, scene 16, and OFF on the *GRAFIK Eye* QS, and can raise and lower lighting levels
- Control available in 6 colors and 8 button marking options to suit a variety of applications
- Easy reconfiguration for use as a handheld control, wall-mount control, or table top control using the optional pedestal.
- Simply install as a 1-gang or 2-gang installation with the included wall mount adapter and mounting template
- Tabletop pedestal available in both single and dual configurations in black and white
- Battery powered control (battery included)
- Can provide control to unlimited number of shades, drapes or lighting devices within a 30 ft (9 m) range.



*Pico* Wireless Control

Job Name:

Model Numbers:

Job Number:

## Specifications

### Standards

- FCC Approved. Complies with the limits for a Class B digital device, pursuant to Part 15 of the FCC Rules

### Power

- Operating Voltage 3 V<sub>DC</sub>
- (1) CR2032 Battery (included)

### Key Design Features.

- Configurable to be used a handheld remote, wall-mount control, or table top control, with the optional pedestal
- Fits inside a standard designer wallplate opening or Lutron Claro® wallplate
- Can be wall mounted in variety of configurations
  - Alone without a wallplate
  - Alone with in a 1-gang wallplate
  - With another *Pico* control in a 2-gang wallplate
  - With another designer style device in a 2 gang wallplate
- Mounting template is provided to accommodate all wall mounting configurations
- Optional pedestal is available in a single configuration for converting the *Pico* to a tabletop control. The pedestal is also available in a dual configuration for two *Pico* controls.

### System Communication and Capacity

- *Pico* controls communicate with Sivoia® QS Wireless shades and drapes and Radio RA-SR components with radio frequency (RF) at 434 Mhz FM
- Thousands of system addresses prevent cross talk between systems
- *Pico* controls can be assigned to control all shades, drapes or lighting devices that are within a 30 ft (9 m) range

### Environment

- Ambient operating temperature: 32 – 104° F (0 – 40° C)
- Maximum 90% non-condensing relative humidity
- Indoor use only

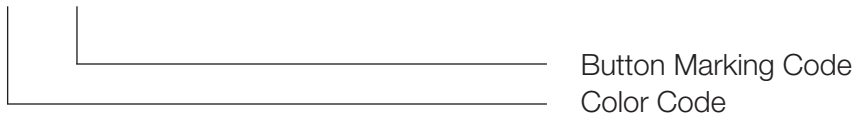
### Warranty

- 1 year limited warranty

<p><b>Job Name:</b></p>  <p><b>Job Number:</b></p>	<p><b>Model Numbers:</b></p>
--	------------------------------

## Pico™ Control Model Number

QSR4P-3R-XX-EXX



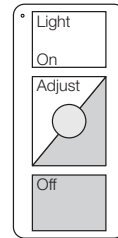
### Pico Control Color Codes: (Designer Gloss)

Color	Color Code
White/Gray	WG
White	WH
Ivory	IV
Almond	AL
Light Almond	LA
Black	BL

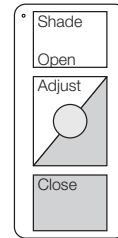
**Note:** On the White/Gray Pico, the circular preset button is silver, the top and raise button are white, and the bottom and lower buttons are gray. All other offerings have uniform button colors.

### Pico Control Button Marking Codes:

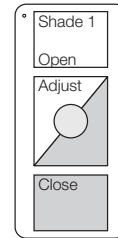
Button Marking Options	Marking Code
Light	01
Shade	02
Shade1	05
Shade2	06
Screen	07
Drape	08
Blackout	09
Sheer	10



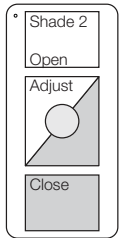
Light  
(01)



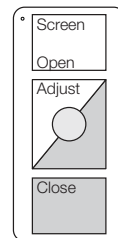
Shade  
(02)



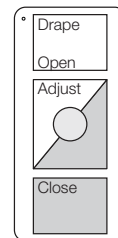
Shade 1  
(05)



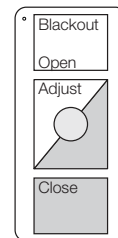
Shade 2  
(06)



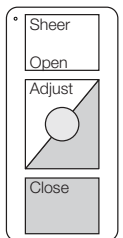
Screen  
(07)



Drape  
(08)



Blackout  
(09)

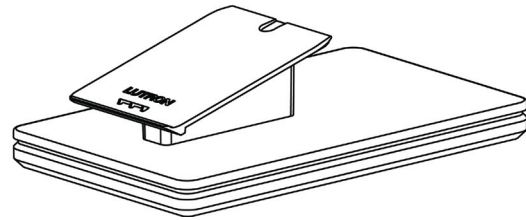
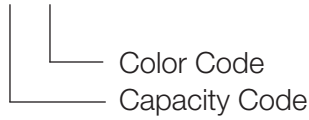


Sheer  
(10)

Job Name:	Model Numbers:
Job Number:	

## Pico™ Tabletop Pedestal Model Number

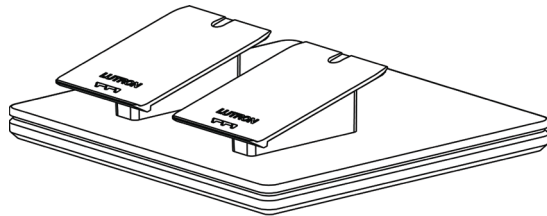
### QSA – PEDX-XX



Single Pedestal

Capacity                      Capacity Code

Single                              1  
 Dual                                2

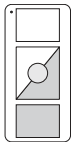


Dual Pedestal

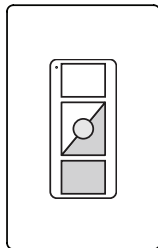
Color                              Color Code

White                                WH  
 Black                                BL

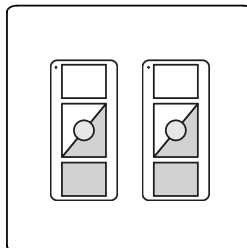
## Wall Mounting Configurations:



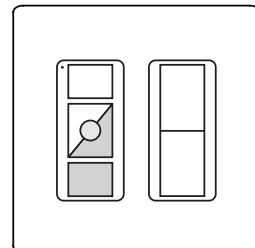
*Pico* without a wallplate



*Pico* with a 1-gang wallplate



Two *Pico* controls with a 2-gang wallplate

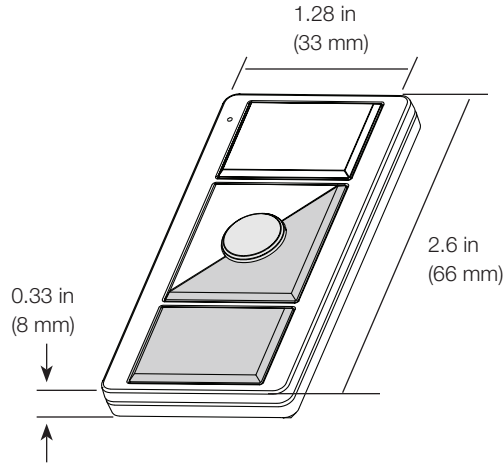


*Pico* and existing device with a 2-gang wallplate

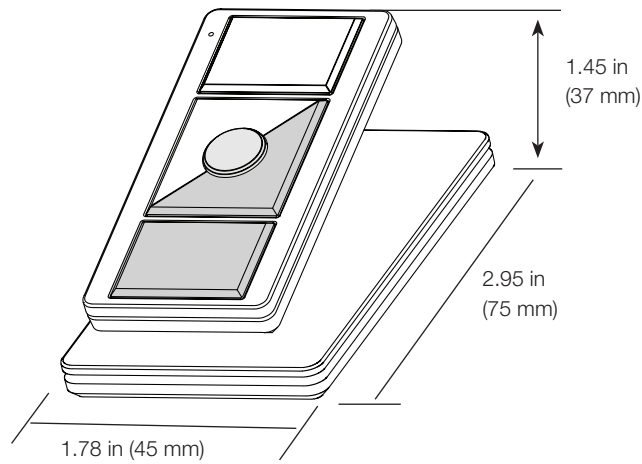
Job Name:	Model Numbers:
Job Number:	

### Dimensions

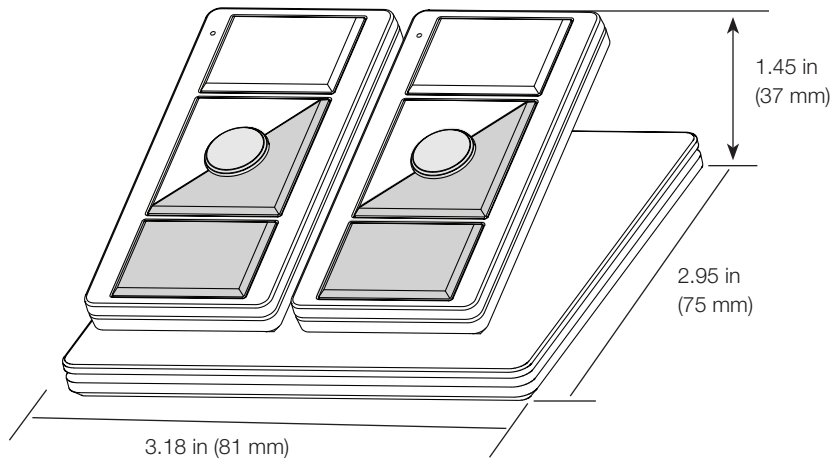
#### Pico Control



#### Single Pedestal



#### Dual Pedestal



Job Name:	Model Numbers:
Job Number:	