



MIG+ CAT6A Shielded Keystone Jacks

Primus Cable's Premier MIG+ line is our first class line of data jacks. The MIG+ CAT6A keystone jacks are engineered with Press-fit PCB technology, phosphor bronze IDC contacts, gold plated prongs, and a zinc die-cast with nickel plated housing.

Features

- Meticulously Engineered to Deliver Exceptional Performance while Streamlining Installations
- Press-fit PCB Technology Ensures a High Quality Connection and Reliable Performance
- CAT 6A Performance Speeds of up to 10G
- Small Form-Factor for High-Density Installations
- Gold plated over Nickel Contacts for Signal Clarity
- Phosphor Bronze IDC Contacts Ensure Excellent Conductivity, Durability, and Outstanding Resistance Against Wear or Corrosion
- Zinc Die-Cast with Nickel Plated Housing
- Innovative Jack Design Keeps Pairs Together to Streamline the Installation Process
- Tool-Less Termination When Using The IDC Cap

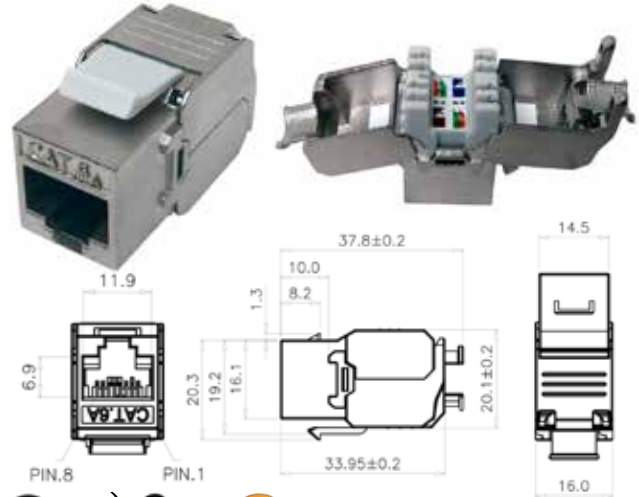
Jack Construction

- Jack Housing: Zinc Die-Cast with Nickel Plated
- Contact Bracket: Polycarbonate UL94V-2
- Contact Isolation: Polycarbonate UL94V-0
- IDC Contacts: Phosphor Bronze w/ Tin Plating
- IDC Wire Range: Solid & Stranded 23 - 26 AWG
- Number of Prongs: 8
- Number of Conductors: 8

Dimensions

- Width: 16.0 mm
- Height: 20.3 mm
- Depth: 37.8 ± 0.2 mm

CAT6A Keystone Jacks



Available Jacket Colors

Item# K62A-973/180/S

Applications

- Voice and Data
- ISDN: Basic and Primary Access
- Token Ring: 4/16/100 Mbps
- ATM: 25/52/155 Mbps
- Ethernet
- Fast Ethernet
- 10Base-T
- 100Base-TX/T2/T4
- 1000Base-T
- Gigabit Ethernet

Optional CAT6A Bulk Cables

- C6AP-4063BL - CAT6A Plenum Bulk Ethernet Cable, CMP, Solid 23AWG 1000FT Blue

Primus Cable's plenum cables are ideal cables for plenum spaces in offices or commercial buildings. This 10G 750MHz CAT6A is CMP plenum rated and UL Listed with 23 AWG solid bare copper and FEP Insulation. This CAT6A Cable is supplied in a 1000ft pull box with large payout which helps eliminate snags or kinks when installing the cable, saving you time and money. To complete your installation call us about our tools.



Available in Multiple Colors

- C6A-4159RB - CAT6A Riser Bulk Ethernet Cable, Solid Copper UTP CMR, 23AWG 1000FT

Primus Cable's CMR CAT6A Ethernet Cables are ideal for any home or office. This 10G 750MHz CAT6A Cable is CMR riser rated and UL listed with 23 AWG solid bare copper conductors. This CAT6A Cable is supplied in a 1000ft pull box with large payout which helps eliminate snags or kinks when installing the cable, saving you time and money. To complete your installation call us about our tools.



Available in Multiple Colors

- C6AX-1503 - CAT6A Outdoor Bulk Ethernet Cable, 750MHz, Solid Copper, UTP CMX, 23 AWG 1000FT

Primus Cable's CMX CAT6A Outdoor Ethernet Cables are ideal for any home or office. This 10G 750MHz CAT6A Cable is outdoor rated with 23 AWG solid bare copper conductors. This CAT6A Cable is supplied in a 1000ft pull box with large payout which helps eliminate snags or kinks when installing the cable, saving you time and money. To complete your installation call us about our tools.



PrimusCable.com - (951) 824-1571



MIG+ CAT6A Shielded Keystone Jacks

Electrical Characteristics

- Insulation Resistance: 500MΩ
- Dielectric Withstanding Voltage: 1000v
- DC Current Rating: 1.5 amps
- DC Resistance: 0.1Ω
- Contact Resistance: 20Ω
- Minimum Temperature: -10°C
- Maximum Temperature: 60°C

Standard Verification

- TIA/EIA-568-B.2-1
- UL 1863
- UL Certified CAT6A
- ACA Compliant (N13181)
- RoHS Compliant

Optional CAT6A Patch Cables

CAT6A Patch Cords, Molded with Bubble

- 1 Ft: PC6A-2676-1BL
- 2 Ft: PC6A-2684-2BL
- 3 Ft: PC6A-2692-3BL
- 5 Ft: PC6A-2700-5BL
- 7 Ft: PC6A-2708-7BL
- 10 Ft: PC6A-2716-10BL
- 15 Ft: PC6A-2724-15BL
- 25 Ft: PC6A-2739-25BL
- 50 Ft: PC6A-2747-50BL
- 100 Ft: PC6A-2757-100BL



Available in Multiple Colors

CAT6A Mini Patch Cords

- 1 Ft: PC6AM-1631-1BL
- 3 Ft: PC6AM-1632-3BL
- 5 Ft: PC6AM-1633-5BL
- 7 Ft: PC6AM-1634-7BL
- 10 Ft: PC6AM-1635-10BL
- 15 Ft: PC6AM-1636-15BL
- 20 Ft: PC6AM-1651-20BL
- 25 Ft: PC6AM-1637-25BL



Available in Multiple Colors

Optional Blank Patch Panels

High Density Blank Patch Panels

These premium high-density blank patch panels allow for media integration by mixing and matching jacks. These patch panels support many fiber optic, telco, and data keystone jacks and because this is a high density patch panel, it allows you to install more jacks in tighter spaces do to it's smaller and closely spaced ports. The flush mounting ports facilitate clean cable management, eliminating snagging. Also the pre-numbered ports help to keep track and identify the runs to stay organized.



- 12 Port: PP3-474/12V
- 16 Port: PP3-3265/16
- 24 Port: PP3-3258/24
- 48 Port: PP3-3259/48

Optional Tool

Punch Down Tool for MIG+ Jacks

This high quality punch down tool helps installers terminate all 8 contacts at once to our MIG+ jacks in a simple squeeze of the handle. It is a time saver for installers connecting cable wires to our line of MIG+ keystone jacks. This easy to use punch down tool seats and trims all eight conductors in one easy motion, saving you time and money.



Optional Cable Management

D-Ring Cable Management Panels

- 1U 5-Ring: PP4-314/5R/1U
- 2U 5-Ring: PP4-2102/5R/2U
- 1U 5-Ring: RP-K12-3613-1U
- 2U 5-Ring: RP-K12-3614-2U
- 1U 5-Ring + 14 Clips: RP-K12-3357-DMK



©2021 CRN Solutions Inc. dba. Primus Cable
All Rights Reserved.

Although Primus Cable makes every reasonable effort to ensure their accuracy at the time of this publication, information and specifications described herein are subject to error or omission and to change without notice, and the listing of such information and specifications does not ensure product availability.

Primus Cable provides the information and specifications herein on an "AS IS" basis, with no representations or warranties, whether express, statutory or implied. In no event will Primus Cable be liable for any damages (including consequential, indirect, incidental, special, punitive, or exemplary damages) whatsoever, even if Primus Cable has been advised of the possibility of such damages, whether in an action under contract, negligence or any other theory, arising out of or in connection with the use, or inability to use, the information or specifications described herein.

All sales of Primus Cable products are subject to Primus Cable's standard terms and conditions of sale.

Primus Cable believes this product to be in compliance with EU RoHS (Directive 2002/EC, 27 Jan. 2003). Material manufactured prior to the compliance date may be in stock at Primus Cable facilities and in our Distributor's inventory. The information provided in this Product Disclosure, and the identification of materials listed as reportable or restricted within the Product Disclosure, is correct to the best of Primus Cable's knowledge, information, and belief at the date any other operation of the product itself or the one that it becomes a part of. This Product Disclosure is not to be considered a warranty or quality specification and regulations based on their individual usage of the product.

Primus Cable declares this product to be in compliance with EU LVD (Low Voltage Directive 73/23/EEC), as amended by directive 93/68/EEC

PrimusCable.com - (951) 824-1571