

Blank QuickPort® Inserts

APPLICATION

Blank QuickPort Inserts are designed to secure unused QuickPort openings, and provide protection from dust and debris.



SPECIFICATION

Blank QuickPort Inserts shall fit installed Leviton telecommunications wallplates, outlets, and field-configurable patch panels and patch blocks. Blank inserts shall be available in six colors (ivory, white, light almond, grey, black, and brown) to match the housings or provide unique color coding for port ID. Modules shall be UL listed. All plastics used in construction of the module bodies shall be fire retardant.

FEATURES

- Compatible with all QuickPort wallplates and housings
- Packaged in a bag of 10

DESIGN CONSIDERATIONS

- Blank QuickPort Inserts snap into any housing with the QuickPort name: flush- and surface-mount outlets, Multimedia Outlet System (with adapter), patch panels, and patch blocks
- Blank inserts are available in six colors (ivory, white, light almond, grey, black, and brown) to match the housings or provide unique color coding for port ID

STANDARDS COMPLIANCE

- cULus Listed (UL 1863, CAN/CSA-C22.2 No. 182.4-1990)

PHYSICAL SPECIFICATIONS

Dimensions: See page two
Materials: Snap-in module bodies are high-impact, fire-retardant plastic

COUNTRY OF ORIGIN

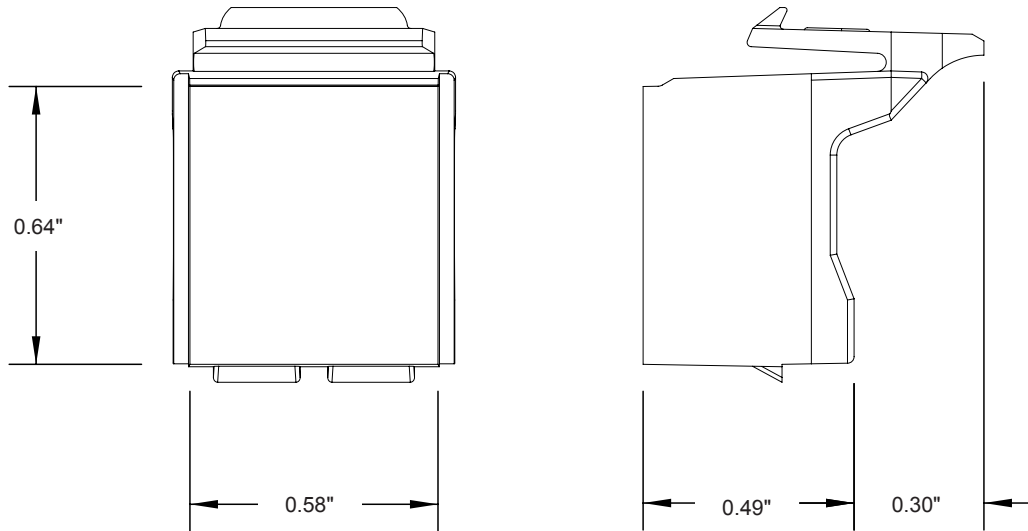
USA

WARRANTY INFORMATION

For a copy of Leviton product warranties, visit www.leviton.com/warranty.

ELECTRONIC FILES

For CAD files, typical specs, or technical drawings (.DXF, .DWG), visit www.leviton.com.



41084-0Bx

PART NUMBERS

Description	IVORY	WHITE	LT. ALMOND	GREY	BLACK	BROWN
Blank QuickPort® Module, bag of 10	41084-0BI	41084-0BW	41084-0BT	41084-0BG	41084-0BE	41084-0BB



Leviton Network Solutions
2222 - 222nd St. SE
Bothell, WA 98021-4416

Asia / Pacific
T +1.631.812.6228
E infoasean@leviton.com

Canada
T +1.514.954.1840
E pcservice@leviton.com

Caribbean
T +1.954.593.1896
E infocaribbean@leviton.com

China
T +852.2774.9876
E infochina@leviton.com

Colombia
T +57.1.743.6045
E infocolombia@leviton.com

tel 1-800-824-3005
tel +1-425-486-2222
appeng@leviton.com
www.leviton.com

Europe
T +33.6.8869.1380
E infoeurope@leviton.com

India / SAARC
T +971.4.886.4722
E infoindia@leviton.com

Mexico
T +52.55.5082.1040
E lsamarketing@leviton.com

Middle East & Africa
T +971.4.886.4722
E lmeinfo@leviton.com

South Korea
T +82.2.3273.9963
E infokorea@leviton.com