



From Tyco Security Products

# DSC PowerSeries Neo Output & Hardwire Zone Expansion Modules

## HSM2108, HSM2204, HSM2208, HSM2300

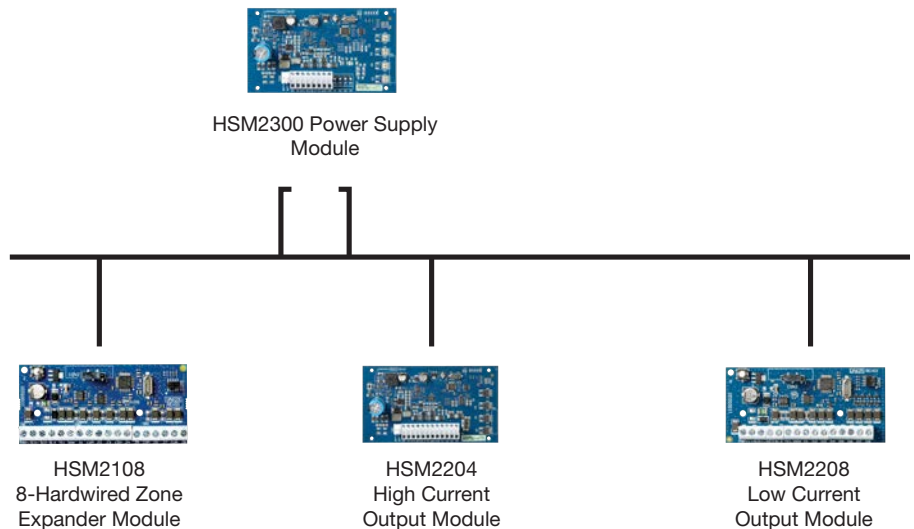
### Features That Make a Difference:

- Hardwired zone expansions allows for easy expansion of zones and programmable outputs
- Fully supervised expansion ensures constant communication with PowerSeries Neo control panel
- Tamper supervision available, ensuring product is always secure
- Connects to control panel via 4-wire Corbus
- Simple wiring can be home run, daisy chained or tee-tapped anywhere on the Corbus
- Fully encrypted communications back to PowerSeries Neo

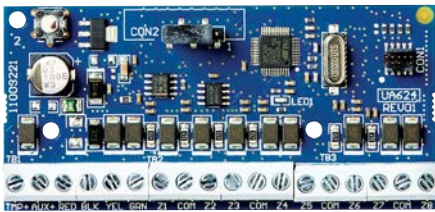
### PowerSeries Neo is Security Redefined

PowerSeries Neo by DSC redefines intrusion security by combining the flexibility of a modular, hardwired system with the simplicity of a wide range of wireless devices and peripherals, resulting in the most comprehensive hybrid system available in the market today.

This brand new and exceptionally flexible platform leverages the superior capabilities of PowerG – the industry’s leading-edge wireless intrusion technology. Innovative alarm verification solutions, together with an exceptionally comprehensive remote service software suite, make PowerSeries Neo the ideal first-class solution for residential and scalable commercial installations.



## HSM2108 8-Hardwired Zone Expander Module



- The HSM2108 is a zone input module that adds up to eight fully programmable zone to any PowerSeries Neo security system
- Supports no end-of-line, single end-of-line and double end-of-line zone loops. (5,600 Ohm resistors)
- Connect up to 15 modules per system
- Tamper contact input

### Specifications:

#### Ordering Information:

HSM2108..... 8 Hardwired Zone Expander  
 Dimensions:..... 45mm x 92mm (1.12/16" x 3 5/8")  
 Board Current Draw: ..... 40 mA (Max)  
 Voltage: ..... 12 VDC Nominal  
 Operating Environment: ..... -10°C to 55°C (14°F to 131°F)  
 Relative Humidity: ..... 5 to 93%

#### Approvals:

Please refer to [www.dsc.com](http://www.dsc.com) for the most current approval listings.

#### Compatibility:

The HSM2108 is compatible with all PowerSeries Neo control panels.

#### Enclosures:

Model PC5003C (removable door) made of 22Ga steel, painted.  
 Dimensions: 248mm(L) x 298mm(W) x 76mm(H), Weight: 1500g.

Model PC5003C (hinged door) made of 1.2mm thick steel, painted.  
 Dimensions: 248mm(L) x 298mm(W) x 76mm(H), Weight: 2500g

Model Power UC1 made of 18Ga steel, painted. Dimensions:  
 315mm(L) x 319mm(W) x 100mm (H), Weight: 3150g.

Model PC4003C made of 18Ga steel, painted. Dimensions: 230mm(L)  
 x 180mm(W) x 75mm(D),

Weight: 1050g

NOTE: Use PC4003C or PC5003C for UL/ULC installations.

## HSM2204 High Current Output Module



- The HSM2204 is a dual-purpose module that provides programmable outputs for controlling external devices, and provides an additional +12 V 1.0 A of additional power
- Connect up to 4 modules per system
- Fully supervised for AC failure, low battery and AUX failure

### Specifications:

#### Ordering Information:

HSM2204..... High Current PGM Expander  
 Dimensions:..... 145mm x 83mm (5 45/64" x 3 17/64")  
 Board Current Draw: ..... 40 mA (Max)  
 Voltage: ..... 12 VDC Nominal  
 Aux Output: ..... 1 A Max  
 Transformer Secondary Ratings: ..... 16.5Vac, 40VA  
 Battery Capacity: ..... 4Ah, 7Ah, or 14Ah (2 x 7Ah) max.  
 Operating Environment: ..... -10°C to 55°C (14°F to 131°F)  
 Relative Humidity: ..... 5 to 93%

#### Approvals:

Please refer to [www.dsc.com](http://www.dsc.com) for the most current approval listings.

#### Compatibility:

The HSM2204 is compatible with all PowerSeries Neo control panels.

#### Enclosures:

Model PC500C made of 22Ga steel, painted.  
 213mm(L) x 235mm(W) x 78 mm(H)

Model CMC- 1 made of 18Ga steel, painted.  
 287mm(L) x 298mm(W) x 80mm(H)

Model PC4050CAR made of 18Ga steel, painted.  
 376mm(L) x 305mm(W) x 125mm(H)

Model PC4050CR made of 18Ga steel, painted.  
 376mm(L) x 305mm(W) x 128mm(H)

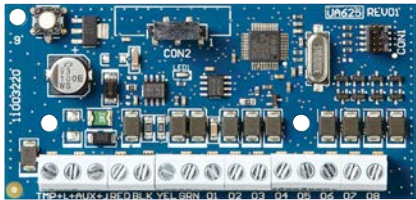
Model Power UC1 made of 18Ga steel, painted.  
 356mm(L) x 319mm(W) x 115mm(H)

Weight: 6.15Kg (PCB, Battery, XFRM)

Model PC5003C made of 22Ga steel, painted.  
 288mm(L) x 298mm(W) x 78mm(H),

Weight: 4.5Kg (PCB, Battery, XFRM)

## HSM2208 Low Current Output Module



- The HSM2208 provides 8 programmable low voltage outputs
- Connect up to 16 modules per system

### Specifications:

#### Ordering Information:

HSM2208.....Low Current PGM Expander  
 Dimensions..... 45mm x 92mm (1.12/16" x 3 5/8")  
 Board Current Draw: ..... 60 mA (Max)  
 Voltage: ..... 12 VDC Nominal  
 Operating Environment: ..... -10°C to 55°C (14°F to 131°F)  
 Relative Humidity: ..... 5 to 93%

#### Approvals:

Please refer to [www.dsc.com](http://www.dsc.com) for the most current approval listings.

#### Compatibility:

The HSM2208 is compatible with all PowerSeries Neo control panels

#### Enclosures:

- Model PC5003C (removable door)
- Model PC5003C (hinged door)
- Model Power UC1
- Model PC4003C
- Model CMC-1
- Model PC4050CAR (commercial burglary)
- Model PC4050CR (ULC--S559)

NOTE: Use PC4003C, PC5003C, CMC-1, PC4050CAR, or PC4050CR for UL/ULC installations.

	HS2128(E)	HS2064(E)	HS2032	HS2016	HS2016-4
MAX HSM2108	15	7	3	1	1
MAX HSM2204	4	3	1	1	1
MAX HSM2208	16	8	4	2	2
MAX HSM2300	4	3	1	1	1

## HSM2300 Power Supply Module



- The HSM2300 is a supervised power supply that can be used to power any PowerSeries Neo (Corbus) module or +12 VDC sensor
- Connect up to 4 modules per system

### Specifications:

#### Ordering Information:

HSM2300.....High Current PGM Expander  
 Dimensions..... 145mm x 83mm (5 45/64" x 3 17/64")  
 Board Current Draw: ..... 40 mA (Max)  
 Voltage ..... 12 VDC Nominal  
 Aux Output ..... 1 A Max  
 Transformer Secondary Ratings: ..... 16.5Vac, 40VA  
 Battery Capacity: ..... 4Ah, 7Ah, or 14Ah (2 x 7Ah) max.  
 Operating Environment: ..... -10°C to 55°C (14°F to 131°F)  
 Relative Humidity: ..... 5 to 93%

#### Approvals:

Please refer to [www.dsc.com](http://www.dsc.com) for the most current approval listings.

#### Compatibility:

The HSM2300 is compatible with all PowerSeries Neo control panels.

#### Enclosures:

- Model PC500C made of 22Ga steel, painted. 213mm(L) x 235mm(W) x 78 mm(H)
- Model CMC- 1 made of 18Ga steel, painted. 287mm(L) x 298mm(W) x 80mm(H)
- Model PC4050CAR made of 18Ga steel, painted. 376mm(L) x 305mm(W) x 125mm(H)
- Model PC4050CR made of 18Ga steel, painted. 376mm(L) x 305mm(W) x 128mm(H)
- Model Power UC1 made of 18Ga steel, painted. 356mm(L) x 319mm(W) x 115mm(H)
- Weight: 6.15Kg (PCB, Battery, XFRM)
- Model PC5003C made of 22Ga steel, painted. 288mm(L) x 298mm(W) x 78mm(H),
- Weight: 4.5Kg (PCB, Battery, XFRM)