

DS-2CD2387G2-LU(B)

8 MP ColorVu Fixed Turret Network Camera



Hikvision ColorVu technology provides 24/7 vivid colorful images with $f/1.0$ advanced lenses and high performance sensors. The $f/1.0$ super-aperture collects more light to produce brighter images. Advanced sensor technology can vastly improve the utilization of available light.

Available Model

DS-2CD2387G2-LU: Hikvision white

DS-2CD2387G2-LUB: Black

- High Quality Imaging with 8 MP Resolution
- Efficient H.265+ Compression Technology
- Clear Imaging Against Strong Backlight Due to 130 dB WDR Technology
- Built-in Microphone for Real-Time Audio Security
- Focus on Human and Vehicle Targets Classification Based on Deep Learning
- 24/7 Color Imaging
- Water and Dust Resistant (IP67)



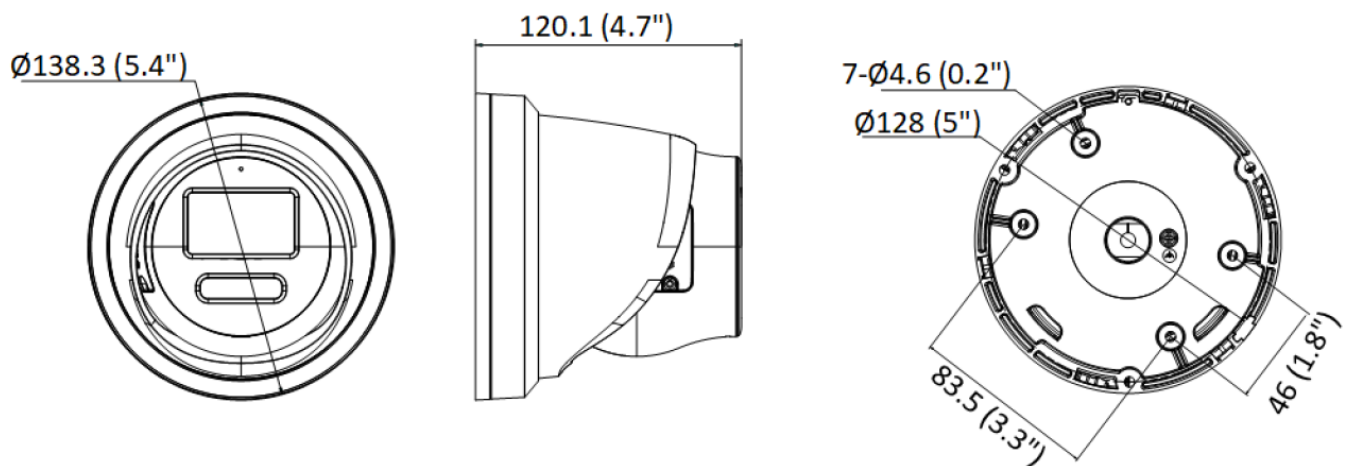
Specifications

DS-2CD238762-LU(B)	
Camera	
Image Sensor	1/1.2" progressive scan CMOS
Maximum Resolution	3840 × 2160
Minimum Illumination	Color: 0.0005 lux @ (f/1.0, AGC on)
Shutter Speed	1/3 s to 1/100,000 s
Day/Night	24/7 color imaging
Angle Adjustment	Pan: 0° to 360°, tilt: 0° to 75°, rotate: 0° to 360°
Lens	
Lens Type	2.8 mm fixed focal length
FOV	Horizontal FOV 102°, vertical FOV 52°, diagonal FOV 124°
Lens Mount	M16
Iris Type	Fixed
Aperture	f/1.0
Depth of Field	10 ft 2 in (3.1 m) to ∞
DORI	
DORI	D: 96 m, O: 38 m, R: 19 m, I: 9 m
Illuminator	
Supplement Light Type	White light
Supplement Light Range	Up to 98 ft (30 m)
Smart Supplement Light	Yes
Video	
Main Stream	50 Hz: 25 fps (3840 × 2160, 3200 × 1800, 2688 × 1520, 1920 × 1080, 1280 × 720) 60 Hz: 24 fps (3840 × 2160), 30 fps (3200 × 1800, 2688 × 1520, 1920 × 1080, 1280 × 720)
Sub-Stream	50 Hz: 25 fps (640 × 480, 640 × 360) 60 Hz: 30 fps (640 × 480, 640 × 360)
Third Stream	50 Hz: 10 fps (1920 × 1080, 1280 × 720, 640 × 480, 640 × 360) 60 Hz: 10 fps (1920 × 1080, 1280 × 720, 640 × 480, 640 × 360)
Video Compression	Main stream: H.265/H.264/H.264+/H.265+; Substream: H.265/H.264/MJPEG; Third stream: H.265/H.264
Video Bit Rate	32 Kbps to 16 Mbps
H.264 Type	Baseline profile/main profile/high profile
H.265 Type	Main profile
Bit Rate Control	CBR/VBR
Scalable Video Coding (SVC)	H.264 and H.265 encoding
Region of Interest (ROI)	1 fixed region for main stream and sub-stream
Audio	
Environment Noise Filtering	Yes
Audio Sampling Rate	8 kHz/16 kHz/32 kHz/44.1 kHz/48 kHz
Audio Compression	G.711ulaw/G.711alaw/G.722.1/G.726/MP2L2/PCM/MP3/AAC
Audio Bit Rate	64 Kbps (G.711ulaw/G.711alaw)/16 Kbps (G.722.1)/16 Kbps (G.726)/32 to 192 Kbps (MP2L2)/8 to 320 Kbps (MP3)/16 to 64 Kbps (AAC)
Network	
Simultaneous Live View	Up to 6 channels
API	Open Network Video Interface (Profile S, Profile G, Profile T), ISAPI, SDK, ISUP
Protocols	TCP/IP, ICMP, HTTP, HTTPS, FTP, DHCP, DNS, DDNS, RTP, RTSP, NTP, UPnP, SMTP, IGMP, 802.1x, QoS, IPv4, IPv6, UDP, Bonjour, SSL/TLS, PPPoE, SNMP
User/Host	Up to 32 users. 3 user levels: administrator, operator, and user
Security	Password protection, complicated password, HTTPS encryption, IP address filter, security audit log, basic and digest authentication for HTTP/HTTPS, TLS 1.1/1.2, WSSE and digest authentication for Open Network Video Interface
Network Storage	NAS (NFS, SMB/CIFS), auto network replenishment (ANR)
Client	iVMS-4200, Hik-Connect, HikCentral
Web Browser	Plug-in required live view: IE 10, IE 11; Plug-in free live view: Chrome 57.0+, Firefox 52.0+; Local service: Chrome 57.0+, Firefox 52.0+
Image	
Wide Dynamic Range (WDR)	130 dB
Privacy Mask	8 programmable polygon privacy masks, mask color or mosaic configurable
Day/Night Switch	Day, Night, Auto, Schedule
Image Enhancement	BLC, HLC, 3D DNR
Image Parameters Switch	Yes
Image Settings	Rotate mode, saturation, brightness, contrast, sharpness, gain, white balance adjustable by client software or Web browser

Specifications (continued)

DS-2CD238762-LU(B)	
Interface	
Ethernet Interface	1 RJ-45 10 M/100 M self-adaptive Ethernet port
On-Board Storage	Built-in memory card slot, supports microSD/SDHC/SDXC/TF card, up to 256 GB
Built-in Microphone	Yes
Event	
Basic Event	Motion detection (supports alarm triggering by specified target types (human and vehicle)), video tampering alarm, exception (network disconnected, IP address conflict, illegal login, HDD full, HDD error)
Smart Event	Line crossing detection, intrusion detection, region entrance detection, region exiting detection (supports alarm triggering by specified target types (human and vehicle)), scene change detection
Linkage	Upload to NAS/memory card/FTP, notify surveillance center, trigger record, trigger capture, send e-mail
Deep Learning Function	
Face Capture	Yes
General	
Power	12 VDC, 0.46 A, maximum 5.5 W; PoE: 802.3af, 36 V to 57 V, 0.18 A to 0.11 A, maximum 6.5 W
Material	Cover: metal, main body: metal
Dimension	Ø138.3 mm × 120.1 mm (Ø5.4" × 4.7")
Package Dimension	170 mm × 170 mm × 150 mm (6.7" × 6.7" × 5.9")
Weight	Approximately 870 g (1.9 lb)
With Package Weight	Approximately 1160 g (2.6 lb)
Storage Conditions	-30° to 60° C (-22° to 140° F), humidity 95% or less (non-condensing)
Startup and Operating Conditions	-30° to 60° C (-22° to 140° F), humidity 95% or less (non-condensing)
Language	33 languagesL English, Russian, Estonian, Bulgarian, Hungarian, Greek, German, Italian, Czech, Slovak, French, Polish, Dutch, Portuguese, Spanish, Romanian, Danish, Swedish, Norwegian, Finnish, Croatian, Slovenian, Serbian, Turkish, Korean, Traditional Chinese, Thai, Vietnamese, Japanese, Latvian, Lithuanian, Portuguese (Brazil), Ukrainian
General Function	Anti-flicker, heartbeat, mirror, password reset via e-mail, pixel counter
Software Reset	Yes
Approvals	
EMC	FCC (47 CFR Part 15, Subpart B), CE-EMC (EN 55032: 2015, EN 61000-3-2: 2019, EN 61000-3-3: 2013+A1: 2019, EN 50130-4: 2011+A1: 2014), RCM (AS/NZS CISPR 32: 2015) IC (ICES-003: Issue 7), KC (KN32: 2015, KN35: 2015)
Safety	UL (UL 62368-1), CB (IEC 62368-1: 2014+A11), CE-LVD (EN 62368-1: 2014/A11: 2017)
Environment	CE-RoHS (2011/65/EU) WEEE (2012/19/EU), Reach (Regulation (EC) No 1907/2006)
Protection	IP67 (IEC 60529-2013)

Dimensions



Unit: mm (inch)

Accessories

NOT INCLUDED				
				
WML Wall Mount	WMLB Wall Mount (Black)	PC140 Pendent Cap	PC140B Pendent Cap (Black)	CPM Pendent Mount
				
CM Corner Mount	CB140PT Junction Box	PM Vertical Pole Mount		