

## EKI-K82T46C

### 4K NVR Value Express Kit



#### Cameras

- 1/3" (4 MP) Progressive Scan CMOS
- Excellent Low-Light Performance
- Efficient H.265+ Compression Technology
- Water and Dust Resistant (IP67)
- 24/7 Colorful Imaging

#### 4K NVR

- Up to 8 MP Resolution Recording
- H.265+/H.265/H.264+/H.264/MPEG
- Plug-and-Play with 6 Included PoE Cameras, Supports up to 8 PoE Cameras
- 4 TB HDD
- SATA Interface

Hikvision EKI-K82T46C 4K NVR Value Express Kits are cost-effective solutions for value-oriented users. Each kit is supplied with six network cameras with 4 MP image sensors and an 8-channel 4K NVR in the same box.

Hikvision ColorVu technology provides 24/7 vivid colorful images with  $f/1.0$  advanced lenses and high performance sensors. The  $f/1.0$  super-aperture collects more light to produce brighter images. Advanced sensor technology vastly improves the utilization of available light.

Kits are plug-n-play and feature quick set up.

#### Available models:

##### EKI-K82T46C

(1) ERI-K108-P8 NVR + (6) S-2CD1347G0-LUF Cameras

#### EKI-K82T46C 4 MP Kit



(6) 4 MP Cameras



(1) 8 PoE Port NVR



# Specifications

EKI-K82T46C	
<b>Camera</b>	
Image Sensor	1/3" progressive scan CMOS
Mini Illumination	Color: 0.001 lux @ (f/1.0, AGC on), 0 lux with white light
Shutter Speed	1/3 s to 1/100, 000 s
Slow Shutter	Yes
Wide Dynamic Range	120 dB
Angle Adjustment	Pan: 0° to 360°, tilt: 0° to 75°, rotate: 0° to 360°
<b>Lens</b>	
Focal Length and FOV	2.8 mm, horizontal FOV 96.5°, vertical FOV 50.8°, diagonal FOV 113.9°
Lens Mount	M12
Focus	Fixed
Aperture	f/1.0
<b>DORI</b>	
DORI	2.8 mm, D: 64.0 m, O: 25.4 m, R: 12.8 m, I: 6.4 m
<b>Illuminator</b>	
Smart Supplement Light	Yes
White Light Range	Up to 98 ft (30 m)
<b>Video</b>	
Maximum Resolution	2560 × 1440
Main Stream	50 Hz: 20 fps (2560 × 1440), 25 fps (1920 × 1080, 1280 × 720) 60 Hz: 20 fps (2560 × 1440), 30 fps (1920 × 1080, 1280 × 720)
Sub-Stream	50 Hz: 25 fps (1280 × 720, 640 × 480, 640 × 360) 60 Hz: 30 fps (1280 × 720, 640 × 480, 640 × 360)
Video Compression	Main stream: H.265/H.264 Sub-stream: H.265/H.264/MJPEG
Video Bit Rate	32 Kbps to 8 Mbps
H.264 Type	Baseline Profile/Main Profile/High Profile
H.265 Type	Main Profile
H.264+	Main stream supports
H.265+	Main stream supports
Region of Interest (ROI)	1 fixed region for main stream
<b>Audio</b>	
Audio Compression	G.711ulaw/G.711alaw/G.722.1/G.726/MP2L2/PCM/AAC
Audio Bit Rate	64 Kbps (G.711ulaw/G.711alaw)/16 Kbps (G.722.1)/16 Kbps (G.726)/32 to 160 Kbps (MP2L2)/16 to 64 Kbps (AAC)
Audio Sampling Rate	8 kHz/16 kHz
Environment Noise Filtering	Yes
<b>Network</b>	
Protocols	TCP/IP, ICMP, HTTP, HTTPS, FTP, DHCP, DNS, DDNS, RTP, RTSP, RTCP, NTP, UPnP™, SMTP, IGMP, 802.1x, QoS, IPv6, Bonjour, IPv4, UDP, SSL/TLS
Simultaneous Live View	Up to 6 channels
API	Open Network Video Interface, ISAPI
User/Host	Up to 32 users. 3 levels: administrator, operator, and user
Client	iVMS-4200, Hik-Connect
Web Browser	Plug-in required live view: IE 10+ Plug-in free live view: Chrome 57.0+, Firefox 52.0+ Local service: Chrome 57.0+, Firefox 52.0+
<b>Image</b>	
Image Settings	Saturation, brightness, contrast, sharpness, AGC, white balance adjustable by client software or Web browser.
Day/Night Switch	Day, Night, Auto, Schedule
Image Enhancement	BLC, 3D DNR
<b>Interface</b>	
Ethernet Interface	1 RJ-45 10 M/100 M self-adaptive Ethernet port
On-Board Storage	Built-in memory card slot, supports microSD card, up to 256 GB
Built-in Microphone	Yes
Hardware Reset	Yes
<b>Event</b>	
Basic Event	Motion detection, video tampering alarm, exception
<b>General</b>	
Linkage Method	Upload to FTP/memory card, notify surveillance center, send e-mail, trigger recording, trigger capture
Camera Material	Metal and plastic
Camera Dimension	Ø109.9 mm × 103.6 mm (Ø4.33" × 4.08")
Package Dimension	150 mm × 150 mm × 141 mm (5.9" × 5.9" × 5.6")
Camera Weight	Approximately 380 g (0.84 lb)
With Package Weight	Approximately 600 g (1.32 lb)
Storage Conditions	-30° to 60° C (-22° to 140° F). Humidity: 95% or less (non-condensing)
Startup and Operating Conditions	-30° to 60° C (-22° to 140° F). Humidity: 95% or less (non-condensing)
Web Client Language	English, Ukrainian

## Specifications (continued)

© 2022 Hikvision USA Inc. • All Rights Reserved • Specifications subject to change without notice.

Hikvision USA Inc., 18639 Railroad Street, City of Industry, CA 91748, USA • Hikvision Canada, 4848 rue Levy, St-Laurent, Quebec, Canada, H4R 2P1  
Tel: +1-909-895-0400 • Toll Free in USA: +1-866-200-6690 • E-Mail: sales.usa@hikvision.com • [www.hikvision.com](http://www.hikvision.com)

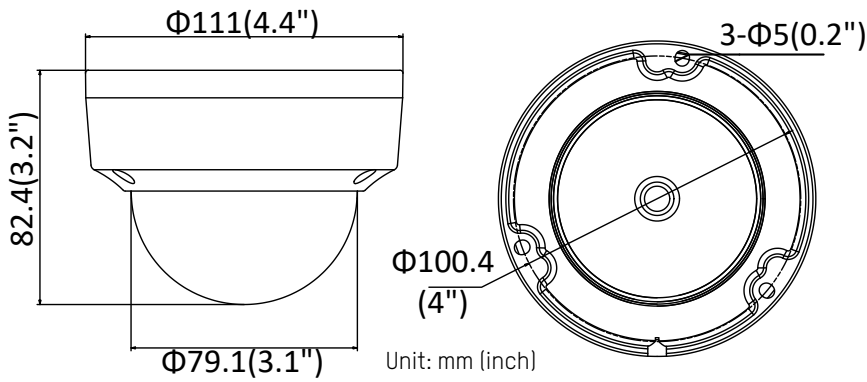
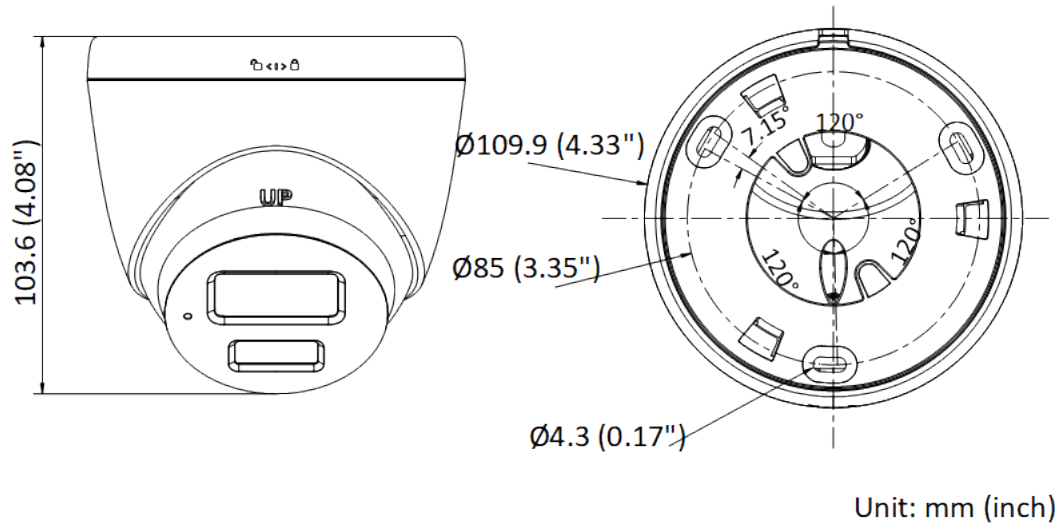
**HIKVISION**

032422NA

<b>EKI-K82T46C</b>	
<b>General</b> (continued)	
General Function	Anti-flicker, heartbeat, mirror, password protection, privacy mask, watermark, IP address filter
Firmware Version	V5.5.122
Power Consumption and Current	12 VDC, 0.4 A, maximum 5 W PoE: (802.3af, 36 V to 57 V), 0.2 A to 0.15 A, maximum 6.5 W
Power Supply	12 VDC $\pm$ 25% PoE: 802.3af, Class 3
Power Interface	$\varnothing$ 5.5 mm coaxial power plug
<b>Approvals</b>	
EMC	FCC SDoC (47 CFR Part 15, Subpart B); CE-EMC (EN 55032: 2015, EN 61000-3-2: 2014, EN 61000-3-3: 2013, EN 50130-4: 2011 +A1: 2014); RCM (AS/NZS CISPR 32: 2015); KC (KN 32: 2015, KN 35: 2015)
Safety	UL (UL 60950-1); CB (IEC 60950-1:2005 + Am 1:2009 + Am 2:2013, IEC 62368-1:2014); CE-LVD (EN 60950-1:2005 + Am 1:2009 + Am 2:2013, IEC 62368-1:2014); BIS (IS 13252(Part 1):2010+A1:2013+A2:2015)
Environment Protection	CE-RoHS (2011/65/EU); WEEE (2012/19/EU); Reach (Regulation (EC) No 1907/2006) IP67 (IEC 60529-2013)

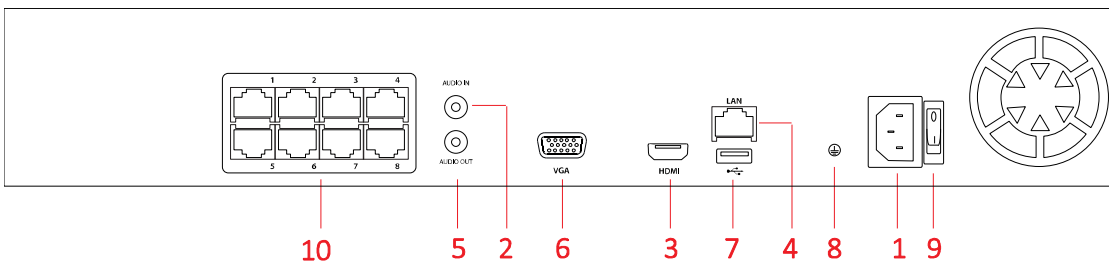
<b>NVR</b>	
NVR Model	ERI-K108-P8
<b>Video/Audio Input</b>	
IP Video Input	8-ch Up to 8 MP resolution
Two-Way Audio	1-ch, RCA (2.0 Vp-p, 1K $\Omega$ )
<b>Network</b>	
Incoming Bandwidth	80 Mbps
Outgoing Bandwidth	80 Mbps
<b>Video/Audio Output</b>	
Recording Resolution	8 MP/6 MP/5 MP/4 MP/3 MP/1080p/UXGA/720p/VGA/4CIF/DCIF/2CIF/CIF/QCIF
HDMI Output Resolution	1-ch, 4K (4096 x 2160)/30 Hz, 4K (3840 x 2160)/30 Hz, 2K (2560 x 1440)/60 Hz, 1920 x 1080/60 Hz, 1600 x 1200/60 Hz, 1280 x 1024/60 Hz, 1280 x 720/60 Hz
VGA Output Resolution	1-ch, 1920 x 1080p, 1600 x 1200, 1280 x 1024, 1280 x 720, 1024 x 768
Audio Output	1-ch, RCA (linear, 1K $\Omega$ )
<b>Decoding</b>	
Decoding Format	H.265/H.265+/H.264/H.264+/MPEG4
Live View/Playback Resolution	8 MP/6 MP/5 MP/4 MP/3 MP/1080p/UXGA/720p/VGA/4CIF/DCIF/2CIF/CIF/QCIF
Synchronous Playback Capability	8-ch 1-ch @ 8 MP/4-ch @ 1080p
<b>Network Management</b>	
Network Protocols	TCP/IP, DHCP, Hik-Connect, DNS, DDNS, NTP, SADP, SMTP, NFS, iSCSI, UPnP™, HTTPS
<b>Hard Disk</b>	
SATA	1 SATA interface
Drive Bays	1
Capacity for Each Disk	Up to 6 TB
<b>External Interface</b>	
Network Interface	1, RJ-45 10/100/1000 Mbps self-adaptive Ethernet interface
USB Interface	2 x USB 2.0
<b>PoE Interface</b>	
Interface	8, RJ-45 10/100 Mbps self-adaptive Ethernet interface
Power	$\leq$ 80 W
Standard	IEEE 802.3 af/at
<b>General</b>	
Power Supply	48 VDC
Power	$\leq$ 180 W
Consumption (w/o Hard Disk)	$\leq$ 10 W (w/o enabling PoE)
Working Temperature	14 to 131° F (-10 to 55° C)
Working Humidity	10% to 90% (non-condensing)
Chassis	1U chassis
Dimensions (W x D x H)	12.4" x 9.4" x 1.9" (315 mm x 240 mm x 48 mm)
Weight (w/o Hard Disk)	$\leq$ 2.2 lb ( $\leq$ 1 kg)

# Camera Dimensions









# NVR Interface

ERI-K108-P8 Rear Panel



Index	Description	Index	Description
1	Power Supply	6	VGA Interface
2	Audio In	7	USB 2.0 Interface
3	HDMI Interface	8	Ground
4	LAN Interface	9	Power Switch
5	Audio Out	10	LAN Network Interfaces with PoE Function

# Accessories

NOT INCLUDED					
					
<b>WMS</b> Wall Mount	<b>PC110T</b> Pendent Cap	<b>CM</b> Corner Mount	<b>ABS</b> Inclined Ceiling Mount	<b>PM</b> Vertical Pole Mount	<b>CBS</b> Junction Box