

READ ME FIRST

QUICK INSTALL GUIDE



PDU 2

Intelligent Network PDU

PDU-02

Includes:

- ▶ PDU 2 2-Outlet Intelligent Network PDU
- ▶ Mounting Kit
- ▶ Ferrite RF Choke
- ▶ Power Cord

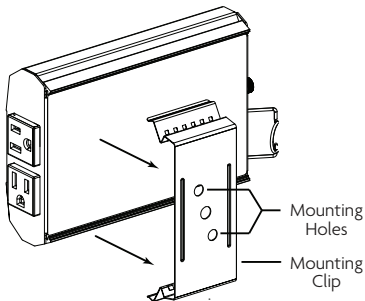
LUXUL

INSTALLATION AND SETUP

1 Physical Installation

The PDU 2 can be easily installed on any flat surface. Alternately, use the included hardware kit to attach the mounting clip to a wall or rack rail, then attach the PDU 2 to the mounting clip.

✓ **NOTE:** To remove the PDU 2 from the mounting clip, wedge a flathead screwdriver between the side of the unit and clip, then gently pry the PDU from the clip.



Rack-Mounting the PDU 2

2 Connecting Ethernet and Power

Connecting Power

Use the included power cable to connect the PDU 2 to an outlet with adequate current capacity. The AC input socket is on the rear panel. Once the power

cable is connected, move the integrated retaining clamp into position to hold the power cable firmly and prevent accidental disconnection.

✔ **NOTE:** *The built-in power supply is compatible only with 120VAC at 60Hz.*

✔ **NOTE:** *The PDU 2 is rated for 12A maximum continuous load, and 15A maximum peak load. Do not exceed these limits with the combined consumption of all powered devices. Use only the included power supply cord.*

Connecting Ethernet

Connect the PDU 2 to your network with a standard Ethernet cable. Install the provided RF choke on your Ethernet cable as closely as possible to the connector going into the PDU 2.



Install the RF Choke on the Ethernet Cable

✔ **NOTE:** *Luxul recommends at least Category 5 unshielded twisted pair (CAT5 UTP) cabling, but shielded cable (STP) is ideal for this application.*

3 Access and Setup

Getting Connected

If the PDU 2 isn't already connected to main power, plug in the PDU. The PDU 2 is configured to use DHCP. Once initialized, the PDU 2 will power on the two switched outlets in sequence and obtain an IP address from a DHCP server on the network.

Using a computer or mobile device, log in to a router on the network and locate the PDU 2 in the router's DHCP client reservation table. Alternately, you may also use a remote management system, IP scanner or a similar tool to find the PDU 2 on the network and determine its IP address. The PDU 2 can be identified by its DHCP client name, which will look like "PDU-2-78083E," where the last half of the name represents the last three octets of the device's MAC address. Once you locate it, make a note of the IP address. If the PDU 2 fails to find a DHCP server the unit will default to the IP address 192.168.0.6

Logging In

To access the PDU 2 web UI, use a web browser on a computer or mobile device on the same network as the PDU 2. In the address field, enter the IP address you determined in the previous step. Log in to the PDU 2 using the default user name and password:

Username: admin

Password: admin

Select the menu items to view and/or modify the configuration. For more guidance on setup and configuration, refer to the product support resources at luxul.com.

4 Hardware Operation

Front Panel

The front panel of the PDU 2 includes two numbered controlled outlets and a power status indicator for each.



PDU 2 Front Panel

Rear Panel

The rear panel of the PDU 2 includes the power supply inlet (with cable retainer), a reset button, a general status indicator, an Ethernet port and a grounding screw.



PDU 2 Rear Panel

LED Indicators

The LED indicators on the PDU 2 include a general device status LED, and a power status indicator for each of the two controlled outlets.

The following chart shows the LED indicators of the PDU 2 along with an explanation of the indicator's properties:


Indicator Name	Description	
Status	On	Indicates alert/alarm is triggered.
	Brief Red	Indicates the PDU 2 is in start up mode.
	Solid Red	There is a malfunction. Contact support.
	Off	Indicates normal operation.
Outlet Status 1-2	On	Outlet is powered on.
	Off	Outlet is powered off.

Note: At startup, the outlet LEDs will power on in sequence.

Reset Button

The Reset button (located adjacent the Ethernet port) is used to restore the PDU to factory default settings.

- ▶ **To Reboot the PDU:** Remove the power supply cord from the PDU, wait five seconds, then reconnect the power supply cord to restore power.
- ▶ **To Restore Default Settings:** With the PDU 2 powered on, use a pen or stylus to press and hold the Reset button on the back panel for at least six seconds, then release the button. The PDU automatically restores factory default settings and reboots. Once the Status LED indicates normal operation (see LED Indicators section), the PDU 2 is running again with factory defaults, including username and password and any IP configuration.

 **NOTE:** *Please note that restoring Default Settings will remove any/all custom configuration.*

3-Year Limited Warranty

This **Luxul™** product has a 3-year limited product warranty and connected equipment protection policy. The 3-year limited product warranty includes protection against defects in workmanship and materials, provided the product remains unmodified and is operated under normal and proper conditions. Products returned to Luxul for warranty service must be accompanied by a Return Material Authorization (RMA) number.

For the full product warranty and connected equipment protection policy, please click here [Luxul PDU warranty](#) page online.

Lifetime Support

Luxul offers free lifetime support of all products purchased through an authorized channel. For support on specific product, visit the product page on the website or the support section in the [Dealer Portal](#), or to contact support, visit our [Support Resources](#) page online.

Connected Equipment Protection Policy

\$25,000

For more information on the connected equipment portion of the Luxul PDU Warranty and Connected Equipment Protection Policy, please visit our Warranty [Luxul PDU warranty](#) page online.

Sales

P: 801-822-5450
E: sales@luxul.com

Technical Support

P: 801-822-5450 Option 3
E: support@luxul.com

Copyright and Trademark Notices

No part of this document may be modified or adapted in any way, for any purposes without permission in writing from Luxul. The material in this document is subject to change without notice. Luxul reserves the right to make changes to any product to improve reliability, function, or design. No license is granted, either expressly or by implication or otherwise under any Luxul intellectual property rights. An implied license only exists for equipment, circuits and subsystems contained in this or any Luxul product.

© Copyright 2017 Luxul. All rights reserved. The name Luxul, the Luxul logo, the Luxul logo mark and Simply Connected are all trademarks and/or registered trademarks of Luxul Wireless, Inc. All other trademarks and registered trademarks are property of their respective holders.

A brand of  **legrand®**