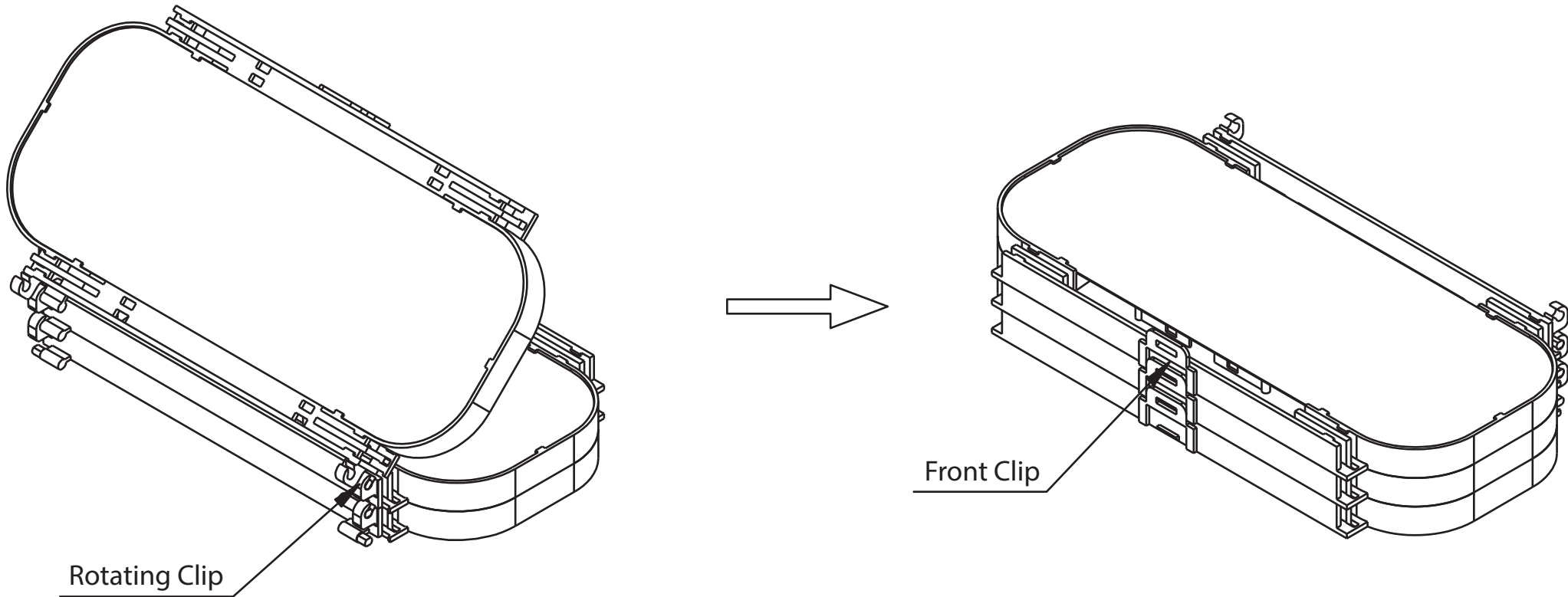


# Splice Tray Instructions



When installing or removing the splice trays, release the front clip allowing the top splice tray to be angled at a 45° so that the rotating clip on the back of the splice tray can be unsnapped from the lower plate.