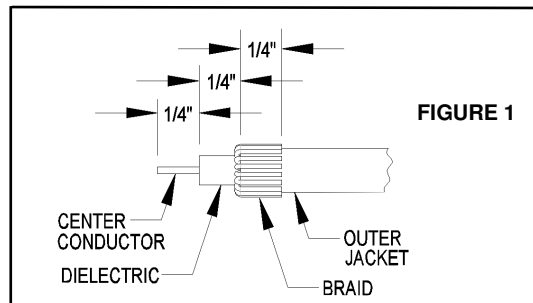


# Snap-N-Seal®

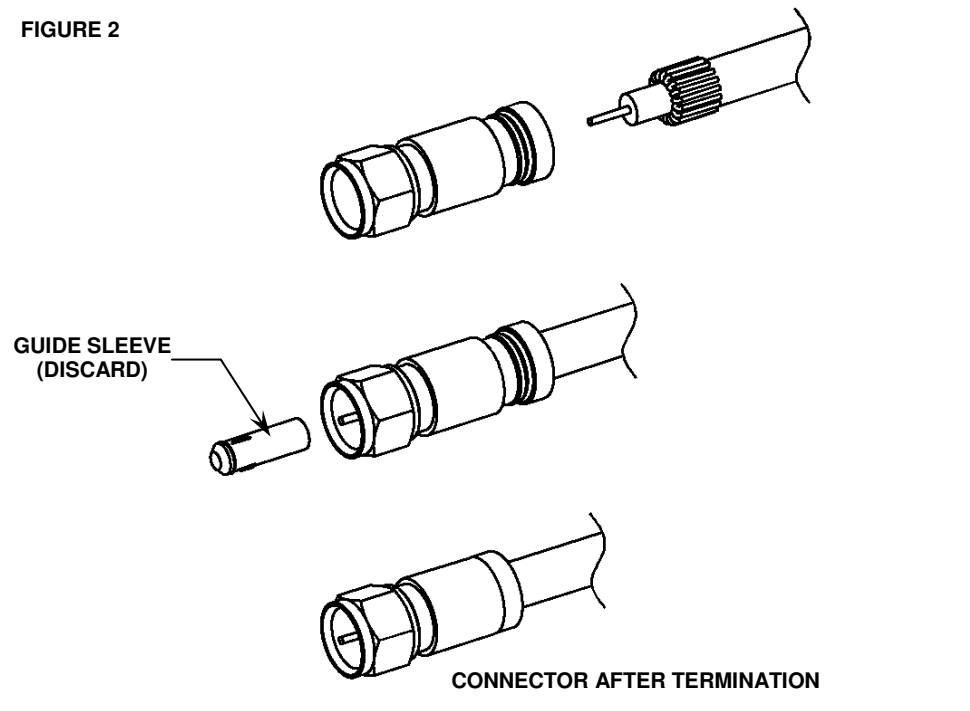
CABLE SERIES: 59 OR 6  
TOOLS: CPLCCT-SLM or SNSUTL  
TIP: LMTIP-S  
STRIP TOOLS: PSA59/6, CST596711  
TBPST, TBPST596



## F INSTALLATION INSTRUCTIONS

- Use an industry standard 1/4" x 1/4" cable prep tool. Assure that the braid is folded back onto the jacket as shown in Figure 1.
- Insert the prepared cable end into the connector. Push the center conductor into the plastic guide sleeve and push the cable until the dielectric is flush with the inside surface of the nut. Discard the guide pin after the cable has been installed. See Figure 2.
- Refer to the instructions for CPLCCT-SLM or SNSUTL tool to terminate the connector.

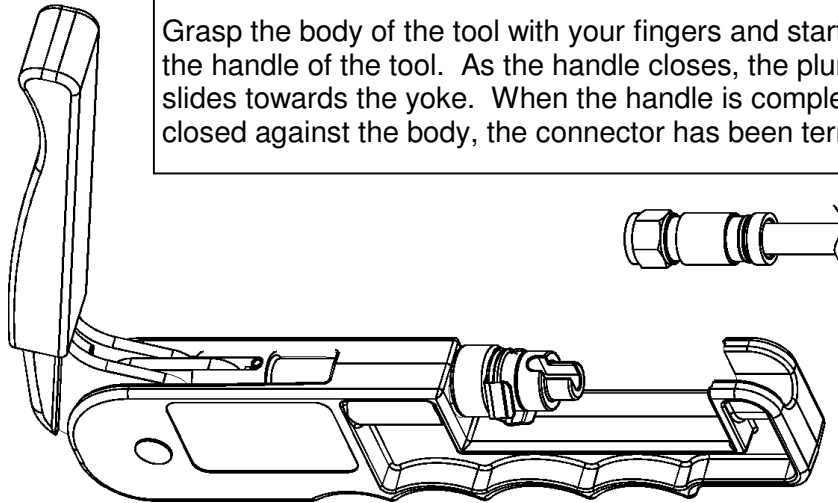
**FIGURE 2**



### CPLCCT-SLM Instructions

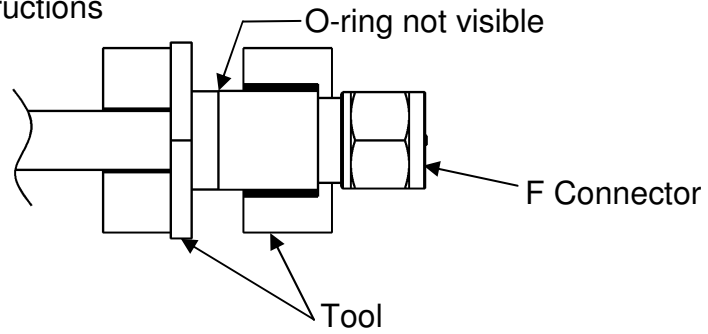
Insert the appropriate tip into the BNC spring clip before inserting the connector. The tip can be stored on the bottom of the tool by threading it onto the underside of the body.

Grasp the body of the tool with your fingers and start to close the handle of the tool. As the handle closes, the plunger slides towards the yoke. When the handle is completely closed against the body, the connector has been terminated.

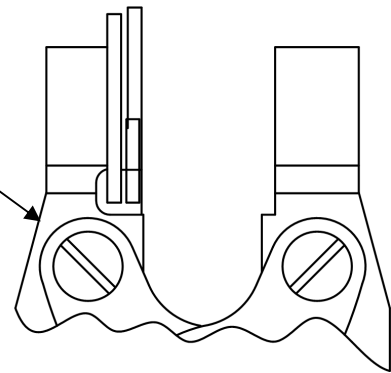


SNSUTL Tool Instructions

Installed and compressed sleeve



SNSUTL Tool



Uncompressed Tool