



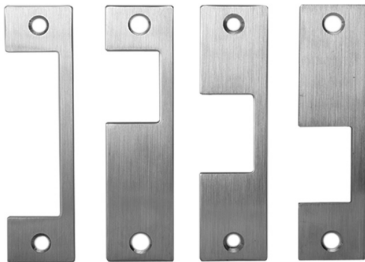
UL 1034  
Burglary



UL10C/  
CAN4-S104,  
3hr. Fire rating

## CX-ED1579L

'ALL IN ONE' FIRE RATED ELECTRIC STRIKE



CX-ED1579L AND  
STAINLESS STEEL FACEPLATES

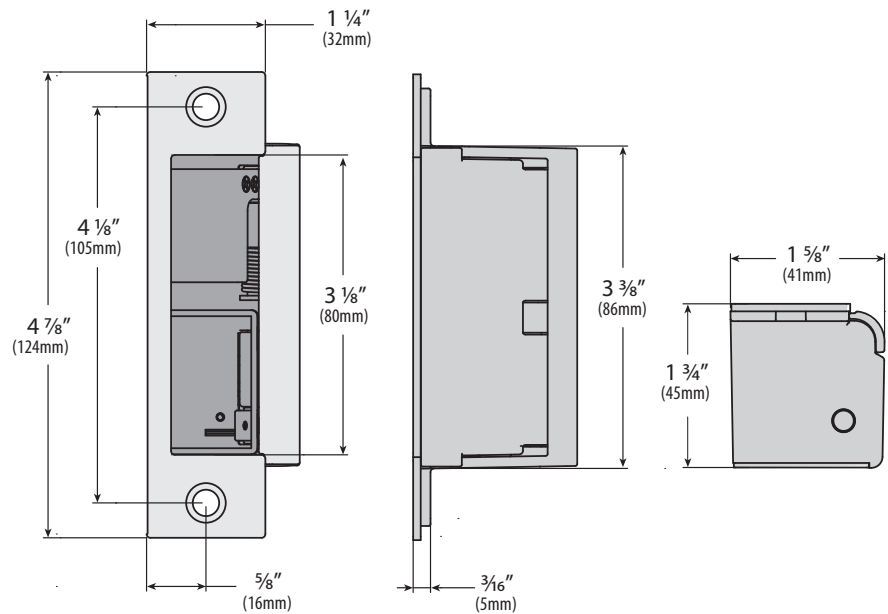
### FEATURES

- FOR MORTISE AND CYLINDRICAL LOCKSETS
- 3/4" (19MM) LATCH PROJECTION (THROW)
- SELECTABLE FAIL SAFE/FAIL SECURE OPERATION
- SELECTABLE 12/24V AC/DC
- LATCH MONITORING
- NON-HANDED, LH/LR
- EASY FIT CONNECTORS FOR POWER AND MONITORING WIRES
- STAINLESS STEEL STRIKE BODY
- 5 YEAR WARRANTY

### DESCRIPTION

Camden CX-ED1579L Grade 1 electric strike for mortise and cylindrical locksets offers the very best strike quality and features, with the added value of built-in latch monitoring, four stainless steel faceplates and 'Universal' performance, including field selectable voltage and fail safe/fail secure operation.

### DIMENSIONS



ELECTRIC STRIKES

CABINET LOCKS

MAGNETIC LOCKS

DOOR ALARMS

RELAYS & TIMERS

POWER SUPPLIES

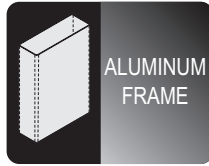
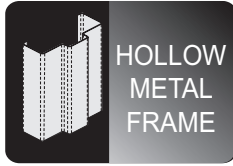
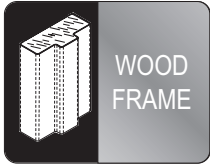
TRANSFORMERS

ANNUNCIATORS

RESTROOM CONTROL KITS

# CX-ED1579L ELECTRIC STRIKES

## DOOR FRAME TYPES



## COMPATIBLE LOCKSETS



## SPECIFICATIONS

VOLTAGE:	12/24V AC/DC
CURRENT DRAW:	260MA @ 12V AC/DC 150MA @ 24V AC/DC
STATIC FORCE:	1,500 LBS.
DYNAMIC FORCE:	70 FT-LBS.
MODE:	FAIL-SAFE/FAIL-SECURE, FIELD SELECTABLE
OPERATION:	AC - BUZZ, DC - SILENT
DUTY:	CONTINUOUS (DC)
MOUNTING:	NON-HANDED
ENDURANCE:	1,500,000 CYCLES (FACTORY TESTED) 250,000 CYCLES (UL VERIFIED)
FIRE RATING:	UL10C/CAN4-S104 3 HRS. (FAIL SECURE ONLY)
LATCH BOLT MONITOR:	SPDT, 100MA @ 24V DC
DIMENSIONS:	<b>BODY:</b> 4 7/8" L x 1 1/4" W x 1 3/4" D (124mm x 32mm x 45mm)

## ORDERING INFORMATION

CX-ED1579L: GRADE 1 'ALL IN ONE' FIRE RATED STRIKE, 12/24V AC/DC, FOR MORTISE AND CYLINDRICAL LOCKSETS

## FACEPLATES

### INCLUDED IN PACKAGE

MODEL	DESCRIPTION
CX-EMP-1	Stainless faceplate for Sargent, Schlage & Yale Mortise Locksets
CX-EMP-2	Stainless faceplate for Arrow, Corbin, & Best mortise locksets
CX-EMP-3	Stainless faceplate for centerline mortise or cylindrical locksets
CX-EMP-4	Stainless faceplate for mortise locksets with deadbolt

