

# CX-ED1579L 'All-in-One' Fire Electric Strike Installation Instructions

## This Package Includes:

- |   |                             |
|---|-----------------------------|
| 1 -4 PIN power connector                | 5 -M5 x 12 mm screws        |
| 1 -3 PIN door status connector          | 2 -#10 x 1 1/4" wood screws |
| 1 -EMP1, EMP2, EMP3 and EMP4 faceplates | 2 - #10-32 x 1/2" screws    |
| 4 -Wire nuts                            | 2 -Mounting brackets        |
|   | 2 -Spacers                  |

## 1. Description

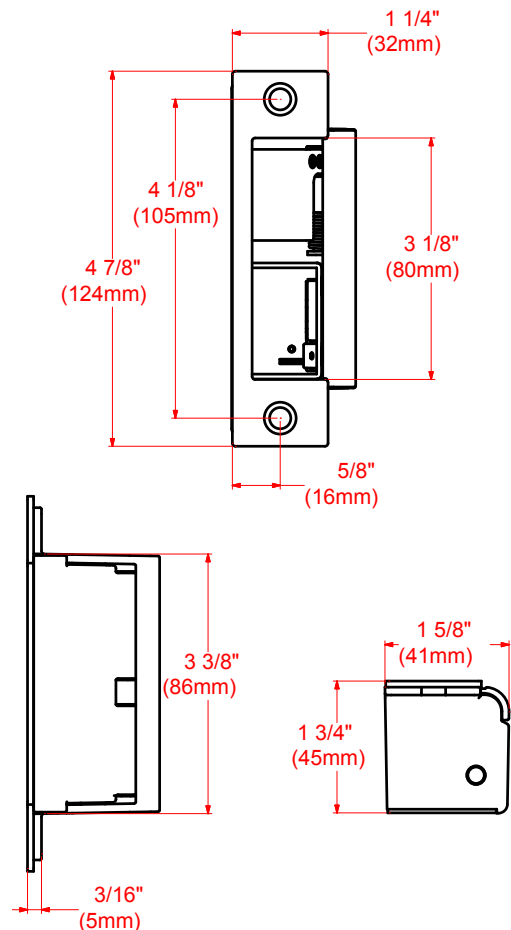
Camden CX-ED1579L grade 1 electric strike for mortise and cylindrical locksets offer the very best strike quality and features, with the added value of built-in latch monitoring, four stainless steel faceplates and 'Universal' performance, including field selectable voltage and fail safe/fail secure operation.

## 2. Specifications

<b>Voltage</b>	12/24V AC/DC
<b>Current Draw</b>	260mA@12V AC/DC 150mA@24V AC/DC
<b>Static Strength</b>	1,500 Lbs.
<b>Dynamic Strength</b>	70 Ft-Lbs.
<b>Endurance</b>	1,500,000 Cycles (Factory Tested) 250,000 Cycles (UL Verified)
<b>Fire Rating</b>	UL 10C/CAN4-S104 3 hrs. (Fail Secure Only)
<b>Model</b>	Field Selectable Fail Safe/Fail Secure
<b>Operation</b>	AC-Buzz DC-Silent
<b>Duty</b>	Continuous
<b>Latch Bolt Monitor</b>	SPDT, 100mA @ 24V DC
<b>Dimensions (Body)</b>	3 3/8" H x 1 5/8" W x 1 13/4" D (86mm x 41mm x 44mm)



## 3. Dimensions

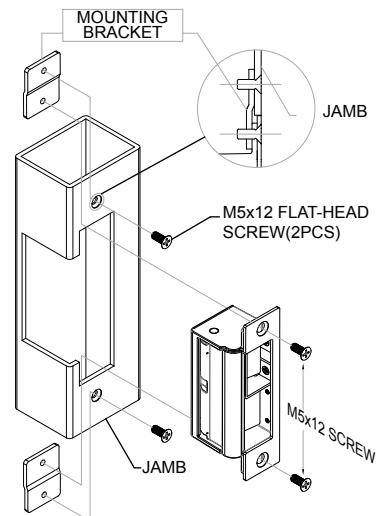


## 4. Installation

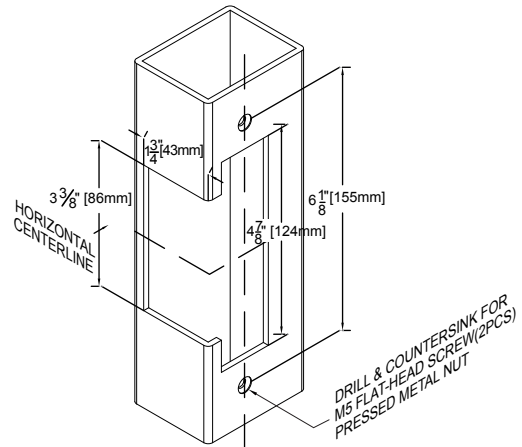
1. Prepare the door jamb as per the appropriate drawing.
2. Install mounting brackets to jamb using M5x12 screws and pressed metal nuts. Do not tighten.
3. Spacers are used to assure flush final assembly of faceplate into jamb. Add one or more spacers between jamb and mounting bracket when face plate extends beyond the jamb. When the faceplate sits inside the jamb, spacers must be added between the mounting bracket & the lip bracket. Make sure the clearance hole in the spacer aligns with the hole in mounting bracket.
4. Connect wires coming from the low voltage side of the transformer to wires from strike.
5. Install electric strike jamb by attaching with # 10-32 screws and lockwashers.
6. Tighten secure M5x12 screws holding mounting brackets to jamb.

**Note:** The products are intended to be installed in accordance with the installation wiring diagram, mechanical assembly drawings provided with each product, the local authority having jurisdiction (AHJ) and the National Electric Code, NFPA 70. When installed in fail secure mode, the local authority shall be consulted with regard to the use of possible panic hardware to allow emergency exit from the secure area.

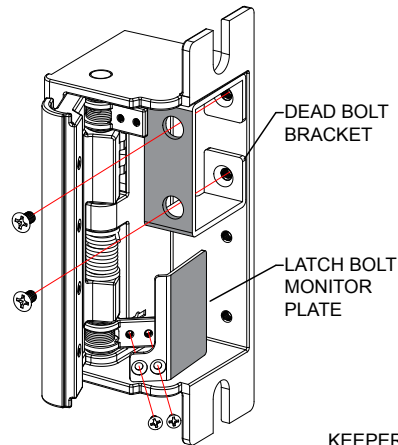
The electric door strike shall be installed in such a way and in such a location so as to not impair the operation of an emergency exit device or panic hardware mounted on the door.



**Frame Install**

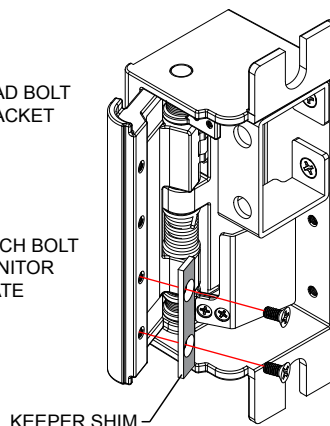


**Latch Bolt Monitor and Bracket Installation**



**Figure 1**

**Keeper Shim Installation**



**Figure 2**

**Note:** Figures show typical installation. The dead bolt bracket, monitor plate and keeper shims can be mounted in alternate locations depending on RH or LH installation.

## 5. Connections

### POWER

#### 12V AC/DC

Red/Black: +12V  
Blue/Green: Ground

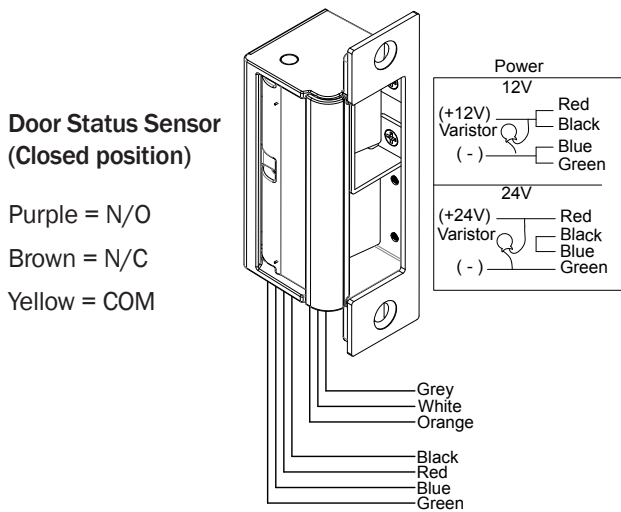
#### 24V AC/DC

Red: +24V  
Black/Blue: -  
Green: Ground

A varistor is provided to protect/prevent strike from spikes. Connect varistor between input wires.

**Note: The door strikes are to be powered via a class 2 power limit output from a control panel or power supply that is UL listed to UL Burglar Alarm/Access control standards.**

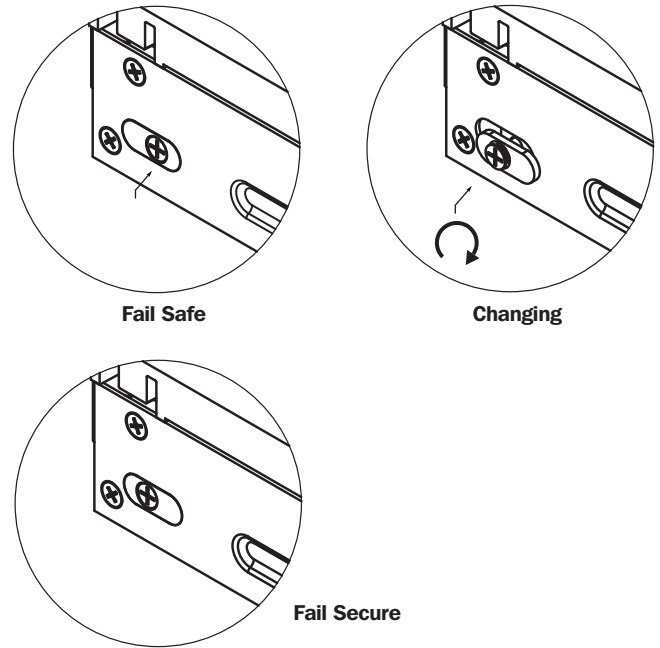
## 6. Installation



## 7. Operation

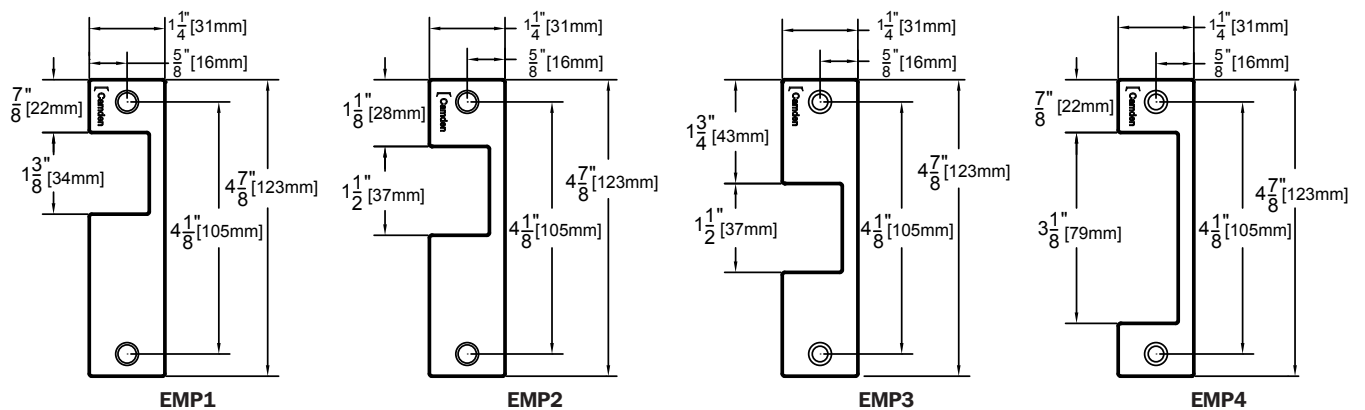
How to modify fail-safe to fail-secure or vice versa.

- (1). Loosen the screw as per the product diagram below.
- (2). Rotate the set plate 180° and slide the plate until it is properly seated.
- (3). Tighten the screw.



**Note: UL fire rating is only valid while in Fail Secure Mode.**

## 8. Faceplates



Push Buttons



Keypads



Strikes



Magnetic Locks



Key Switches



Relays & Timers



Access Control



5502 Timberlea Blvd.,  
Mississauga, ON Canada  
L4W 2T7

www.camdencontrols.com  
Toll Free: 1.877.226.3369



Certified ISO 9001: 2008

File: CX-ED1579L Designer  
Installation Instructions.indd R2  
Revision: 31/01/2018  
Part No.: 40-82B202