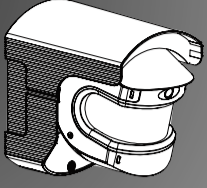


INSTALLATION INSTRUCTIONS

Quick Guide



LASER SCAN DETECTOR

RLS-50100V
RLS-3060V

REDSKAN Pro

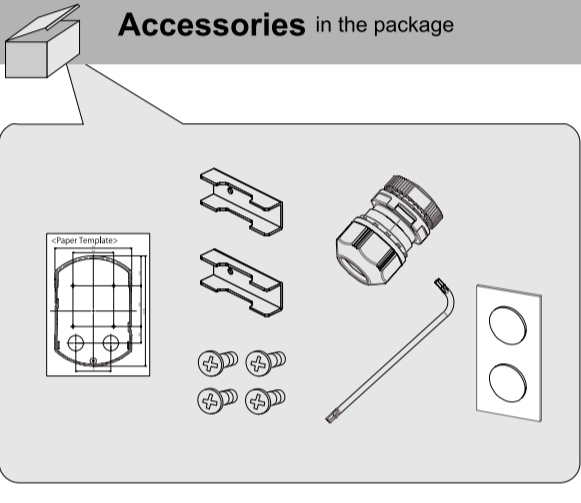
RLS-50100V	50 x 100 m (approx. 165 x 330 ft.) detection
RLS-3060V	30 x 60 m (approx. 100 x 200 ft.) detection



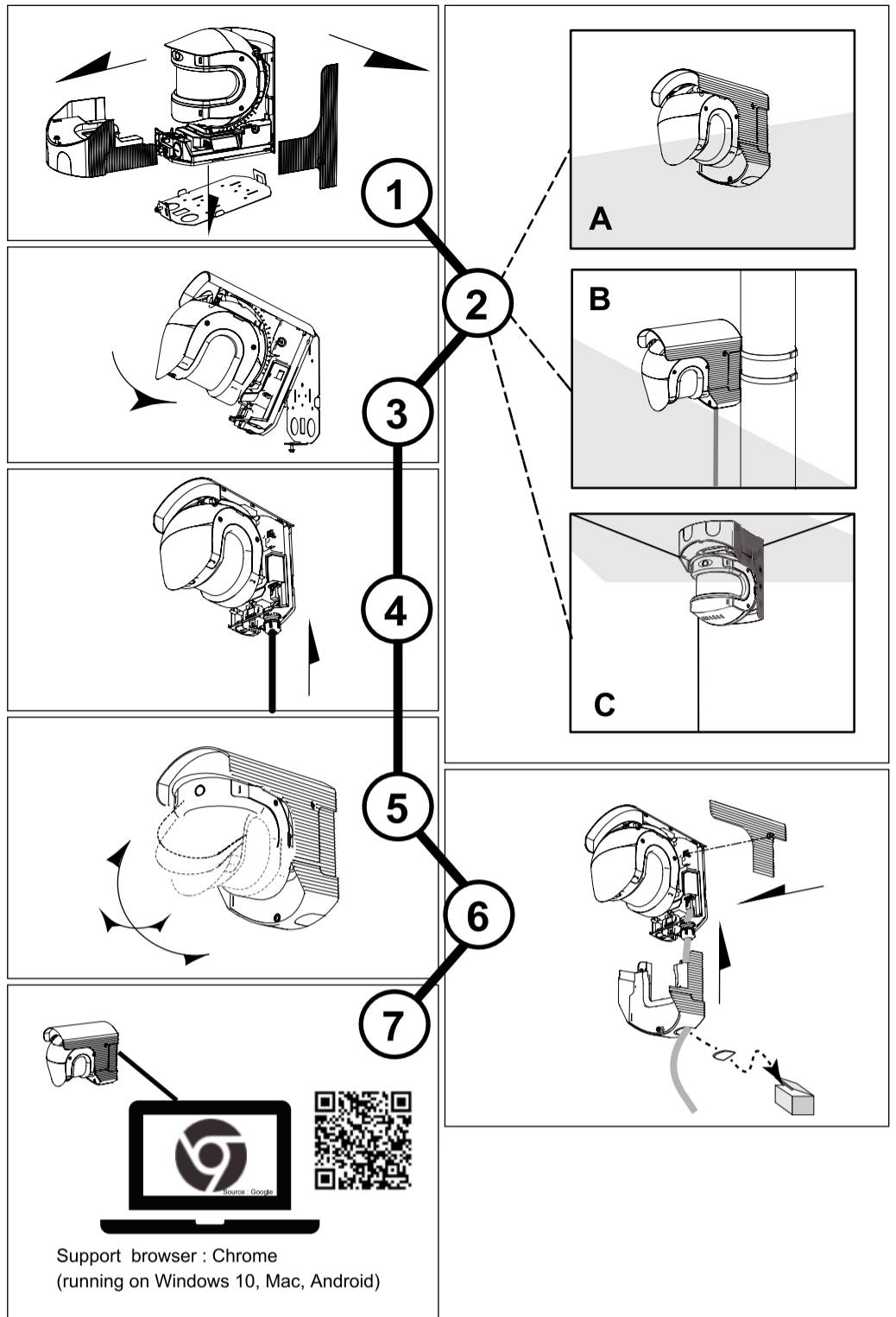
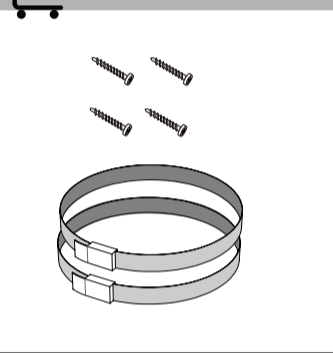
Web navigation with guide animation;

<https://navi.optex.net/manual/50385>

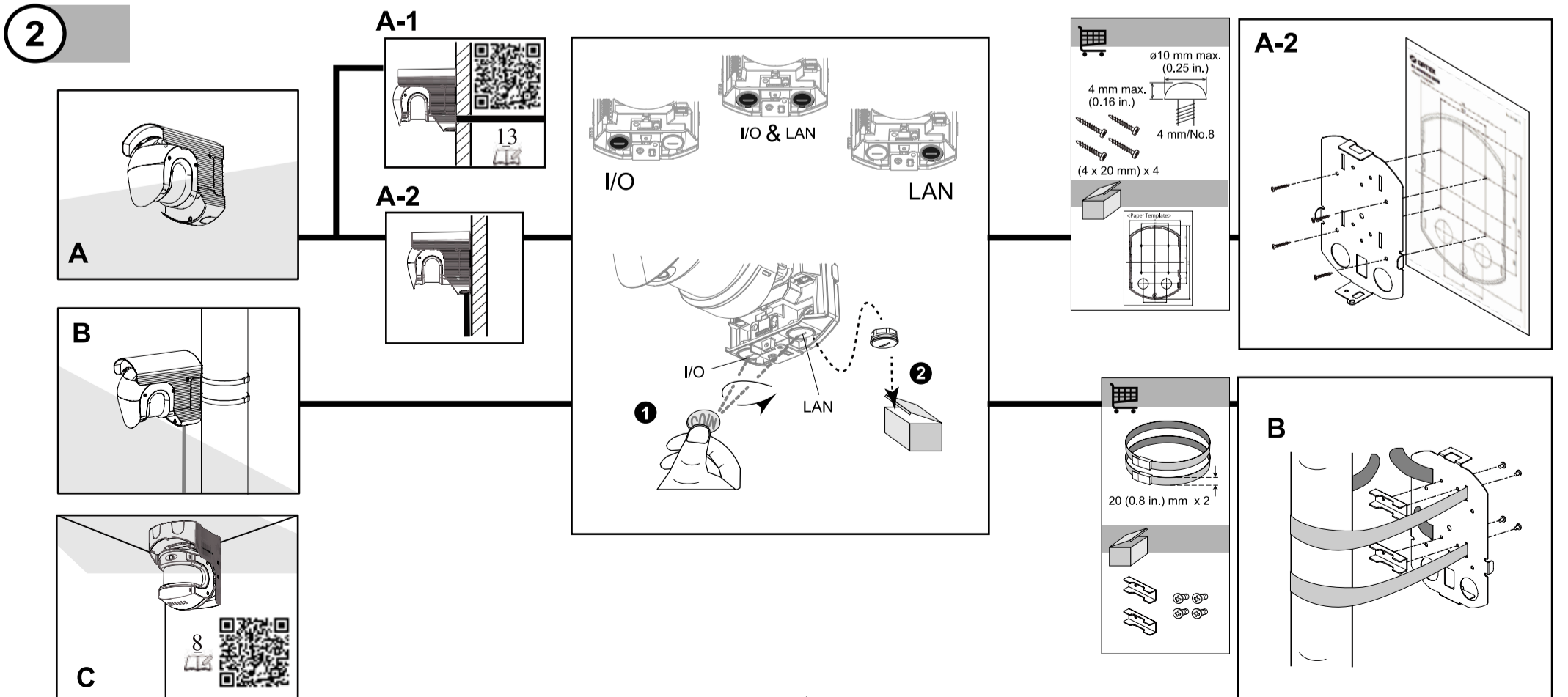
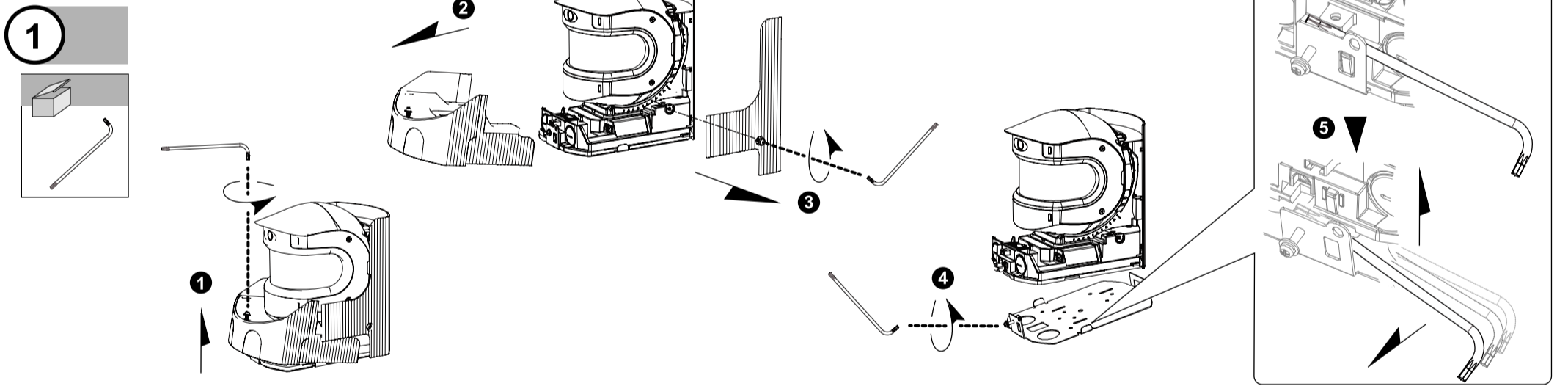
Accessories in the package

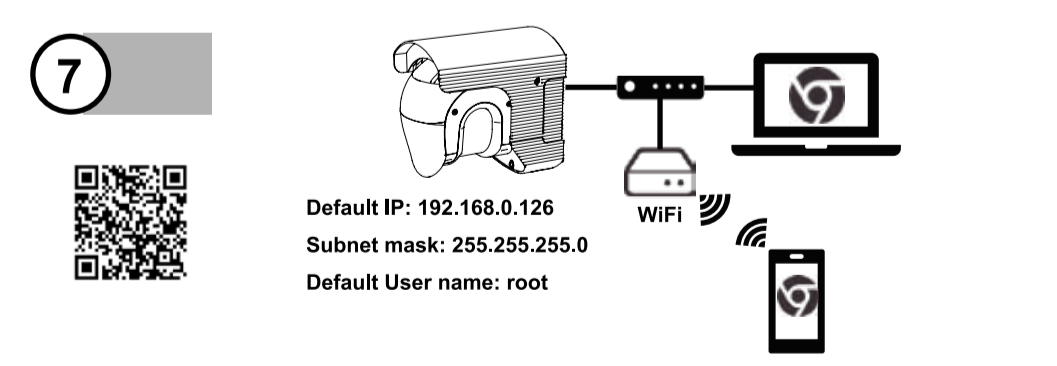
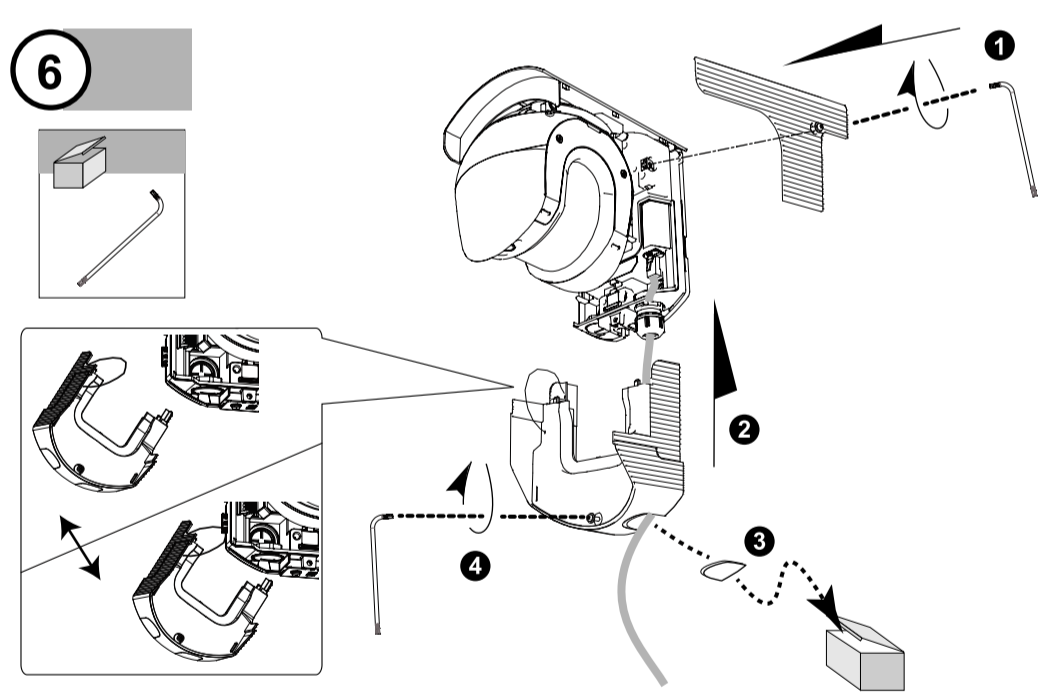
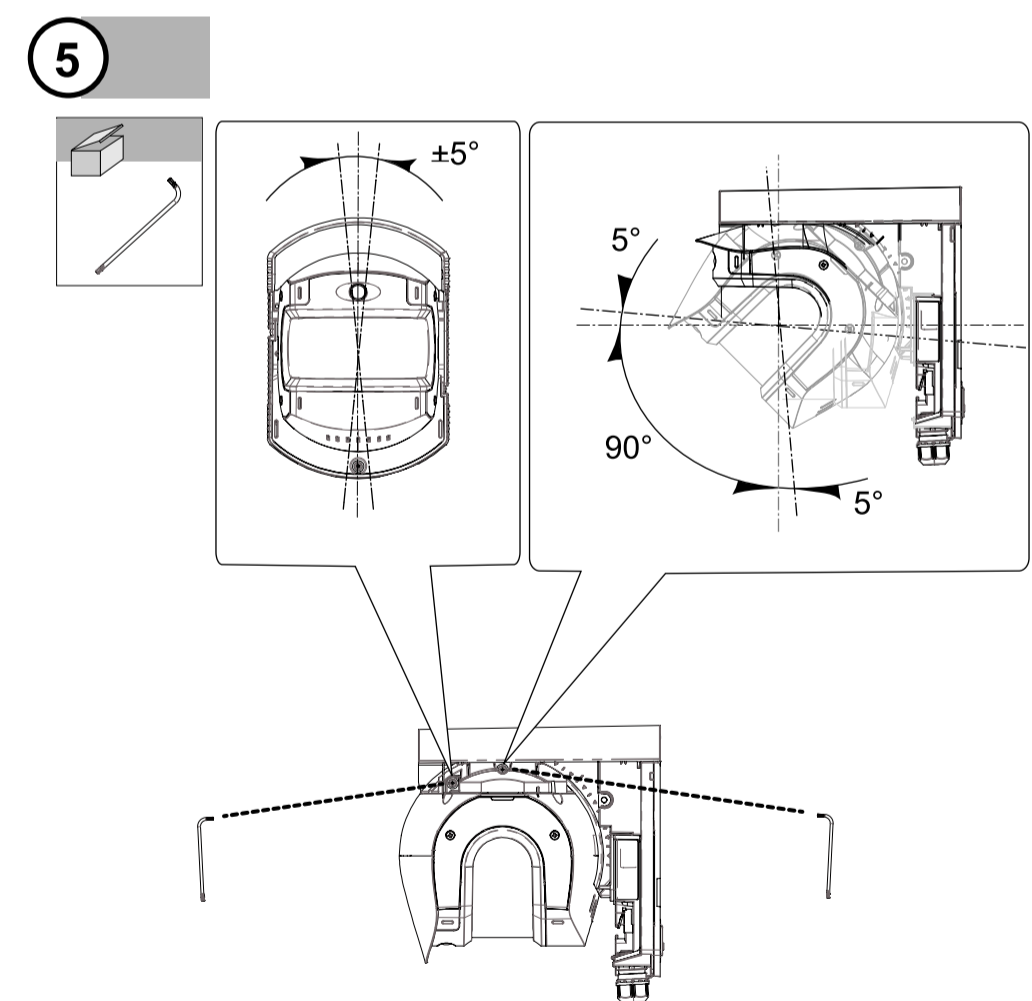
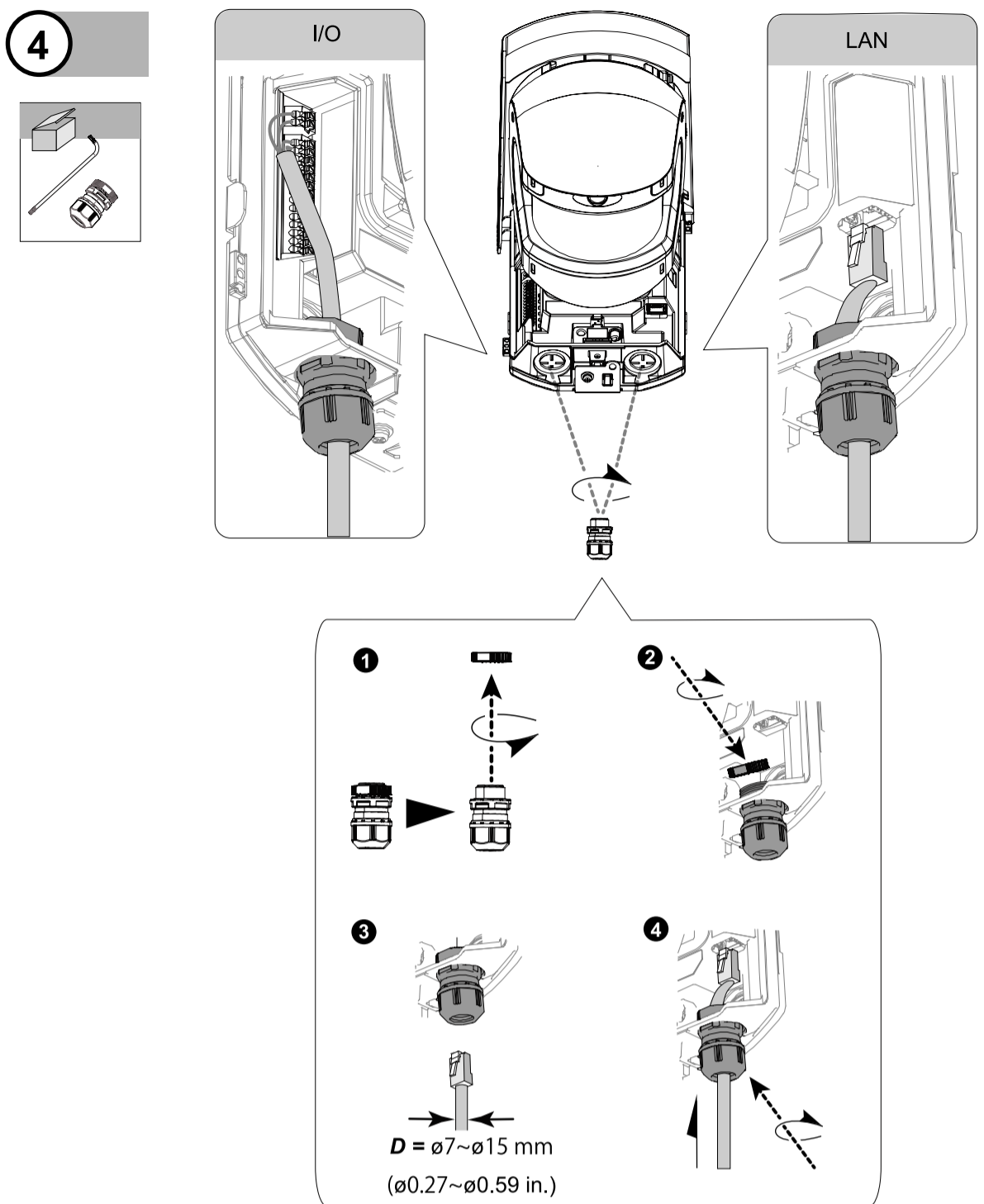
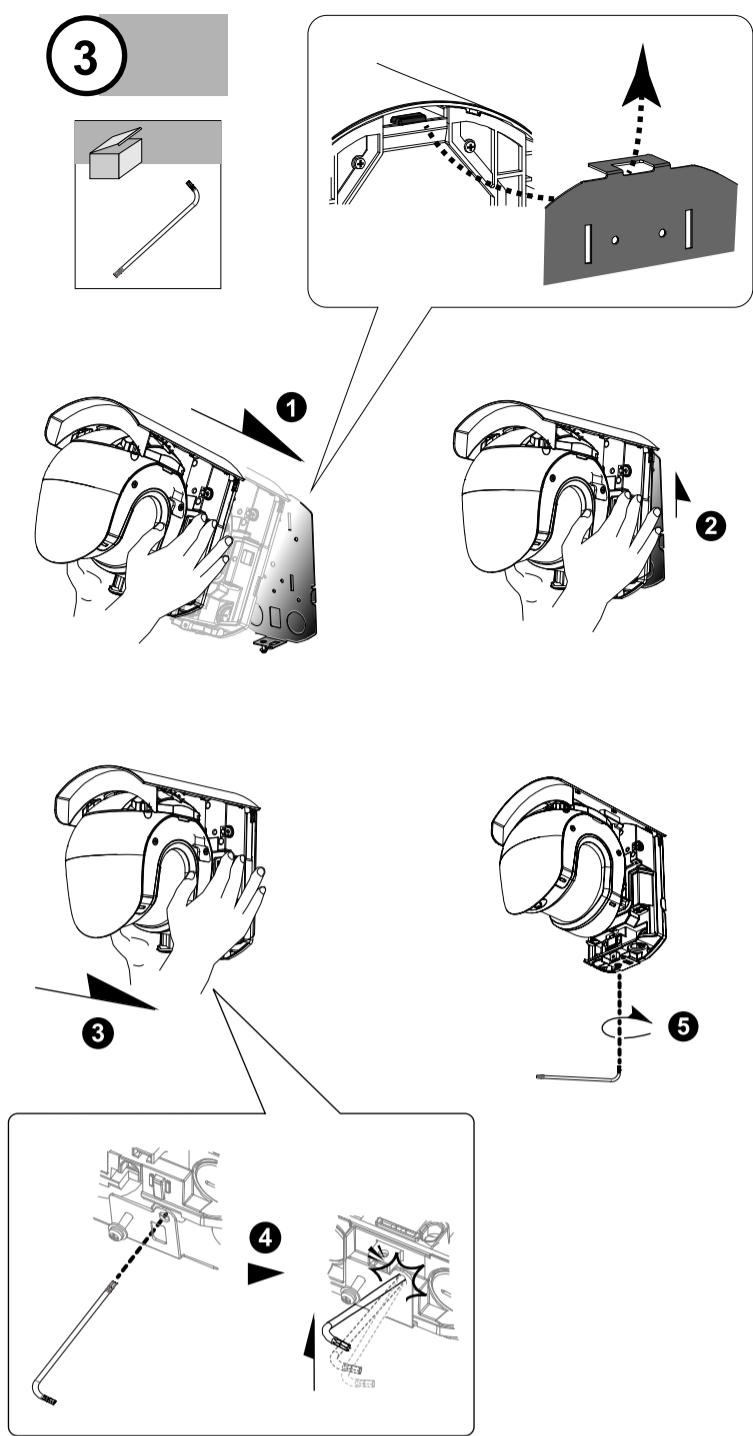


Purchase separately as necessary



Support browser : Chrome
(running on Windows 10, Mac, Android)





EU contact information

Manufacturer:
OPTEX CO., LTD.
5-8-12 Ogoto Otsu Shiga, 520-0101 JAPAN

Authorised representative in Europe:
OPTEX (EUROPE) LTD./EMEA HEADQUARTERS
Unit 13, Cordwallis Park, Clivemont Road,
Maidenhead Berkshire, SL6 7BU U.K.



OPTEX INC./AMERICAS HQ (U.S.)
www.optexamerica.com

OPTEX (EUROPE) LTD./EMEA HQ (U.K.)
www.optex-europe.com

OPTEX TECHNOLOGIES B.V. (The Netherlands)
www.optex-europe.com/nl

OPTEX CO., LTD. (JAPAN)
www.optex.net

OPTEX SECURITY SAS (France)
www.optex-europe.com/fr

OPTEX SECURITY Sp.z o.o. (Poland)
www.optex-europe.com/pl

OPTEX PINNACLE INDIA, PVT., LTD. (India)
www.optexpinnacle.com

OPTEX KOREA CO.,LTD. (Korea)
www.optexkorea.com

OPTEX (DONGGUAN) CO.,LTD. SHANGHAI OFFICE (China)
www.optexchina.com

OPTEX (Thailand) CO., LTD. (Thailand)
www.optex.co.th