



Our Snag-less CAT6 Slim Series Patch Cables are CM rated for Gigabit Ethernet network and feature ANSI/TIA 568-C.2 wiring, a PVC jacket, 28AWG, stranded bare copper and RJ45 connectors featuring gold-plated contacts with molded strain-relief boots. (UL/ETL/RoHS)

Cable Features

- Meets or Exceeds CAT6 ANSI/TIA-568-C.2 Standards
- Short Body Plug
- PVC Molded Strain-Relief Boot Design
- Available in Multiple Lengths & Colors
- Backwards Compatible to Category 5E
- UTP Stranded 28AWG

Compliance

- TIA/EIA-568-C.2 Category 6 Slim Series
- PVC Jacket
- CM Rated
- UL Listed
- RoHS Compliance for the Requirement of European Union Issued Directive 2002/95/EC

Physical Characteristics

- Conductor Size: 28AWG
- Conductor Material: Stranded Bare Copper
- Number of Conductors: 8 Conductors
- Number of Pairs: 4 Pairs
- Outer Jacket Material: PVC
- Contact Material: Copper
- Contact Plating: Gold Plated
- OD=Ø3.6±0.15MM
- Conductor: 28AWG(7/0.12±0.008mmBC)

Applications

- Government
- Medical
- Financial
- Entertainment
- Higher Education
- Manufacturing
- Security
- Laboratories
- Theme Parks
- Data Centers

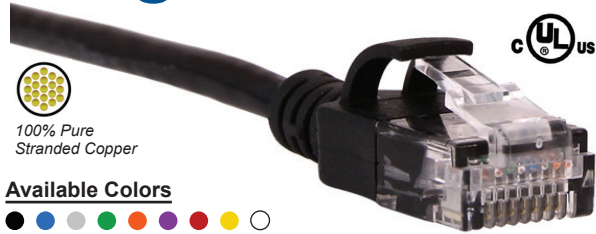
CAT6 Snag-less Slim Patch Cable Molded Boot with RJ45 Plugs

CAT6

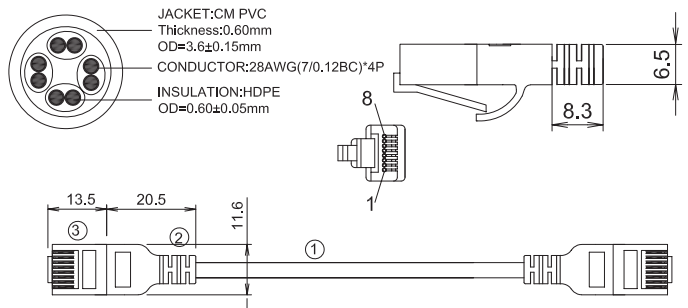


100% Pure Stranded Copper

Available Colors

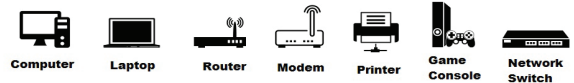


Technical Diagram



Pin-Out Color Code Chart

Pair	P1 (T568B)	Wire Colors	P2 (T568B)
2	1	White/Orange	1
	2	Orange	2
3	3	White/Green	3
	6	Green	6
1	4	White/Blue	4
	5	Blue	5
4	7	White/Brown	7
	8	Brown	8



©2019 CRN Solutions Inc. dba. Primus Cable All Rights Reserved.

Although Primus Cable makes every reasonable effort to ensure their accuracy at the time of this publication, information and specifications described herein are subject to error or omission and to change without notice, and the listing of such information and specifications does not ensure product availability.

Primus Cable provides the information and specifications herein on an "AS IS" basis, with no representations or warranties, whether express, statutory or implied. In no event will Primus Cable be liable for any damages (including consequential, indirect, incidental, special, punitive, or exemplary damages) whatsoever, even if Primus Cable has been advised of the possibility of such damages, whether in an action under contract, negligence or any other theory, arising out of or in connection with the use, or inability to use, the information or specifications described herein.

All sales of Primus Cable products are subject to Primus Cable's standard terms and conditions of sale. Primus Cable believes this product to be in compliance with EU RoHS (Directive 2002/EC, 27 Jan. 2003). Material manufactured prior to the compliance date may be in stock at Primus Cable facilities and in our Distributor's inventory. The information provided in this Product Disclosure, and the identification of materials listed as reportable or restricted within the Product Disclosure, is correct to the best of Primus Cable's knowledge, information, and belief at the date any other operation of the product itself or the one that it becomes a part of. This Product Disclosure is not to be considered a warranty or quality specification and regulations based on their individual usage of the product.

Primus Cable declares this product to be in compliance with EU LVD (Low Voltage Directive 73/23/EEC), as amended by directive 93/68/EEC

PrimusCable.com - (951) 824-1571

