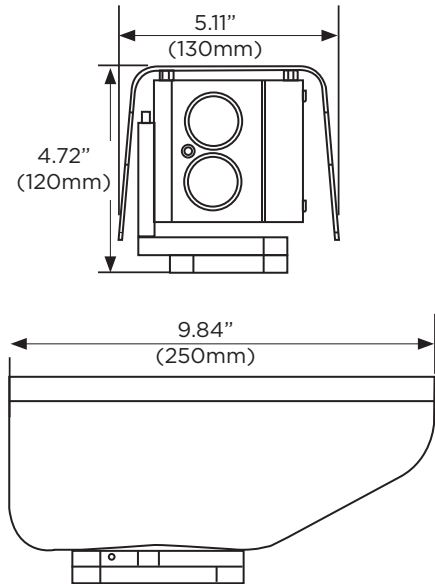


Dimensions

unit: Inch (mm)



Summary

The DW-DTLA500 is a laser surveillance sensor that allows the user to monitor and locate intrusions for applications where physical fences are not desirable, possible or where enhanced security is required. The 1640ft (500m) sensor works without reflectors and reacts in fractions of a second. The DW-DTLA500 SiteWatch™ sensor knows the exact position of an object and offers adaptive alarm settings. For example, the sensor can be set to react only to cars in a specific lane and alarm if an object has stopped or if a door opens, while ignoring all other activities.

Features

- SiteWatch™ surveillance sensor
- 0 - 1640ft (500m) detection range
- Exceptional resistance to false alarms
- 20 Fully adaptable alarm zones to meet any situation
- IP alarms and relay output
- Alarm notifications
- 905nm wavelength
- Web Interface built-in
- PoE class 2 and DC48V
- IP66 environmental-rated dust-tight and water-resistant

Accessories (optional)



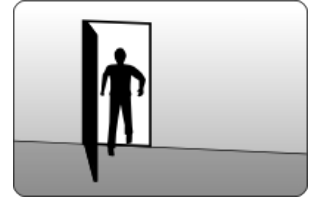
DW-DTWMDTLA5
Mounting bracket

Specifications

FIELD OF APPLICATION	Outdoor surveillance and monitoring
ALARM ZONES	Up to 20 fully adaptable zones, each zone has individual alarm sensitivity settings and alarm actions.
ALARM ACTIONS	Network alarm, relay. Easy direct integration with IP to VMS, enabling PTZ control, automatic video recording and object position.
SELF AWARENESS	Adaptive digital processing algorithm suppresses noise from fog and snow, and detects challenging weather to allow alarms to VMS.
DETECTION RANGE	0 - 1640ft (500m)
DETECTION RESOLUTION	+/- 1 dm
UPDATE RATE	250 Hz
LASER WAVELENGTH	905nm
BEAM DIVERGENCE	2.0 x 2.0 mRad
ALIGNMENT LASER	Yes
LASER CLASS	Class 2 laser product, eye-safe
POWER SUPPLY	Power over Ethernet (48V DC) or 12 V DC
POWER CONSUMPTION	4W (PoE class 2)
OPERATING TEMPERATURE	-22°F to +140°F (-30°C to +60°C)
INTERFACE	Ethernet IEEE 802.3af, TCP/IP, web browser user interface
RELAY SWITCH	Max 30V 200mA, NC and NO
MOUNTING	4 x M5 - Bosch compatible 2.87" x 1.61" (73 x 41mm) 4 x M5 - Axis compatible 1.57" x 2.44" (40 x 62mm) 2 x M6 - common standard 2.87" (73mm C-C) 5/8"-11 UNC (tripod mount)
ENCLOSURE RATING	IP66
COLOR	Shell: gray, sensor: black
WEIGHT	2.4Kg
Warranty	1 year warranty

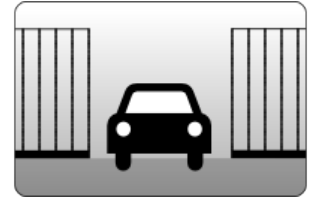
Perimeter control

SiteWatch™ technology makes it possible to monitor and locate intrusions for applications where physical fences are not desirable, possible or where enhanced security is required. The laser sensors work without reflectors and react in fractions of a second.



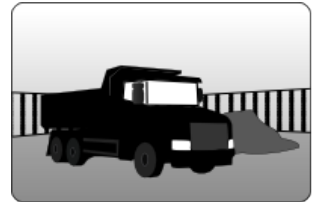
Gate monitoring

Monitor all passages through gates, entrances or specific parts of a road - even with the SiteWatch™ sensor placed several hundred meters away. Create alarm zones freely to make sure the system only triggers an alarm when an object is detected at the desired location.



Vehicle monitoring

SiteWatch™ is easily configured to detect if a vehicle is moved. Even if the detector is fitted several hundred meters away from the vehicle, the sensor instantly alarms when a movement of the current vehicle occurs; while all other objects in the area are ignored.



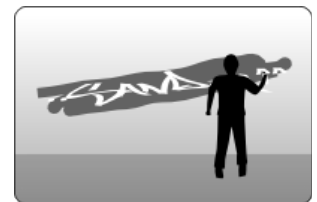
Boat detection

Detect all boats entering or leaving the harbour and reduce the risk of boat and engine thefts, regardless of light conditions and weather. SiteWatch™ products are designed for harsh marine environments. Since the sensor works without reflectors it is possible to create virtual fences over open water or along the deck of an ocean going vessel.



Graffiti

SiteWatch™ can be mounted on a tripod and moved as needed, to ensure fast and accurate operation in exposed locations. Surveillance can be achieved remotely and no camera permissions are required.



Stake-out operations

SiteWatch™ makes it possible to automatically create a detailed log of visitors entering or leaving a building or to send alarms at a distance up to 500 meters.

