

# **ENFORCER**<sup>®</sup> **ACCESS**

# Exit Button

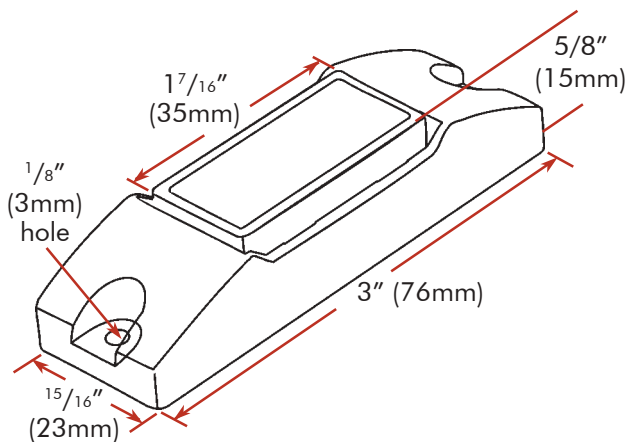
## SS-075C-PE

### Emergency & Push-To-Exit N.O./N.C. Button



- N.O. or N.C. (selectable) momentary contact.
- Contact rated 1.0 Amp at 12VDC.
- 3 labels included: choose between “EMERGENCY,” “PUSH TO EXIT,” and “PRESIONE PARA SALIR.”
- Screw terminals.

Special Introductory  
Pricing. Contact  
SECO-LARM Today.



Each SS-075C-PE includes 3 labels. Choose the label correct for the application.