



Primus Cable's RJ45 connectors are gold plated and work with solid and stranded cable. They have 8 pins and 8 conductors (8p8c) and are designed with CAT6 Conductor size in mind. Our Modular plugs have a staggered alignment to better fit these conductors while also separating them which provides less interference.

Features

- 50µ" Gold Plated Contacts
- Works On Stranded Or Solid Cables
- Transparent Housing For Easy Conductor Alignment
- 8 Pins x 8 Conductors
- Fits 23 AWG - 26 AWG Wires

Electrical Specifications

- UL Applications: 250 Volts AC Max., at 2 AMPS
- Dielectric With Standing Voltage: 1000 VOLTS AC. 60 SEC.
- Insulation Resistance: 500 MΩ.
- Contact Resistance: 20mΩMAX.

Mechanical Specifications

- Strain Relief: 20 Pound Min.
- Durability: 1200 Mating Cycles
- Operating Temperature: -40°C - 70°C

Physical Characteristics

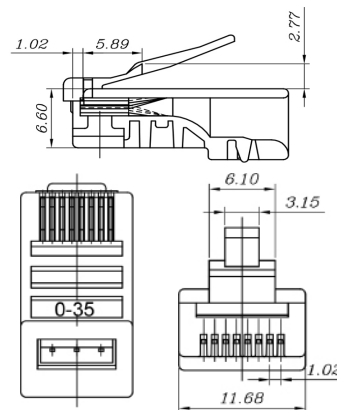
- Housing: POLYCARBONATE, UL94V-0 OR UL94V-2.
- Color: Transparent
- Contact Blade: Copper Alloy
- Conductor: STRANDED & SOLIDWIRE 23AWG ~ 26 (It can be used for the wire OD from Ø 0.96 ~ Ø1.02)
- Gold Plating: 50µ"
- Shielded Shell: Copper Alloy

RJ45 Connector for Solid and Stranded CAT6 Cable

RJ45

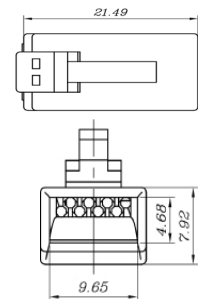


Technical Diagram



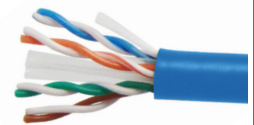
Ordering Information

- Item# CN1-7906-Z5S - 25 Pack
- CN1-7900-8CUL - 50 Pack
- CN1-7878-8CUL - 100 Pack



Optional CAT 6 CMR Cable, 1000ft

These high quality CAT 6 Cables are suitable for speed of 600 MHz



- CAT 6**
- C6U-5014RK - Black
 - C6U-5016RN - Green
 - C6U-5022RY - Yellow
 - C6U-5376RW - White
 - C6U-5374RB - Blue
 - C6U-5020RD - Red
 - C6U-5375RG - Gray
 - C6U-5018RO - Orange

©2021 CRN Solutions Inc. dba. Primus Cable
All Rights Reserved.

Although Primus Cable makes every reasonable effort to ensure their accuracy at the time of this publication, information and specifications described herein are subject to error or omission and to change without notice, and the listing of such information and specifications does not ensure product availability.

Primus Cable provides the information and specifications herein on an "AS IS" basis, with no representations or warranties, whether express, statutory or implied. In no event will Primus Cable be liable for any damages (including consequential, indirect, incidental, special, punitive, or exemplary damages) whatsoever, even if Primus Cable has been advised of the possibility of such damages, whether in an action under contract, negligence or any other theory, arising out of or in connection with the use, or inability to use, the information or specifications described herein.

All sales of Primus Cable products are subject to Primus Cable's standard terms and conditions of sale.

Primus Cable believes this product to be in compliance with EU RoHS (Directive 2002/EC, 27 Jan. 2003). Material manufactured prior to the compliance date may be in stock at Primus Cable facilities and in our Distributor's inventory. The information provided in this Product Disclosure, and the identification of materials listed as reportable or restricted within the Product Disclosure, is correct to the best of Primus Cable's knowledge, information, and belief at the date any other operation of the product itself or the one that it becomes a part of. This Product Disclosure is not to be considered a warranty or quality specification and regulations based on their individual usage of the product.

Primus Cable declares this product to be in compliance with EU LVD (Low Voltage Directive 73/23/EEC), as amended by directive 93/68/EEC

PrimusCable.com - (951) 824-1571

