

## CLIP4

### DIN Rail Mounting Clips (Set of 2)

Altronix Clip4 DIN Rail Mounting Clips allow for easy installation of Altronix power supplies and sub-assemblies onto a standard 35mm DIN rail such as Altronix D10, D12, D19 or D24. Three positions accommodate a wide variety of Altronix boards.

#### Key Features

- Molded polyurethane
- Easy to install
- Mounts on any standard 35mm DIN Rail (i.e. Altronix D10, D12, D19 or D24, sold separately)

#### Weights:

- Product - 0.2 lb. (0.1 kg)
- Shipping - 0.5 lb. (0.23 kg)

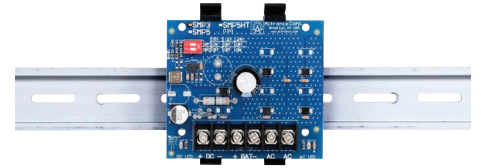
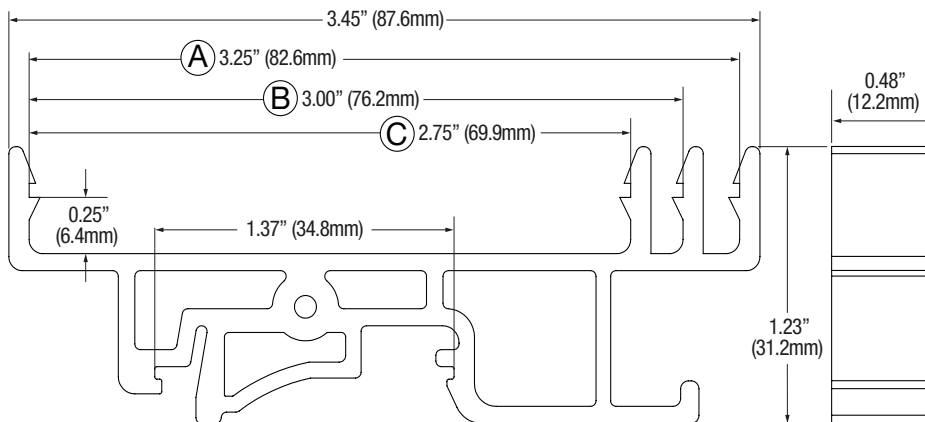
#### Compatible Altronix Models

<b>(A) (3.25")</b>	DP4(CB), PD4(CB), PD4UL(CB), PD8(CB), PD8UL(CB), NetWay5B, NetWay5A, RB7, RBOC7
<b>(B) (3.00")</b>	DP4(CB), 6030, 6062, AL100ULB, AL125ULB, AL175ULB, AL176ULB, AL201ULB, AL624, PT2724, PT724A, SMP3, SMP5, Circ1ATS, EBC48, PDS8(CB), PDS16(CB), VR6, VR10
<b>(C) (2.75")</b>	PM212, PM224, RB5, RB30, RB524, RB1224, RBR1224, RBSN, RBSNP, RBSNTTL, RBST, RBTUL, RBUL

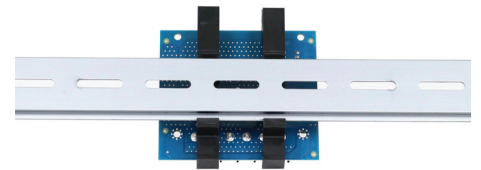
#### Dimensions and Drawing

##### Dimensions (H x W x D approximate)

5.4" x 2.9" x 1.0" (137.2mm x 73.7mm x 25mm)



Board mounted on DIN Rail with CLIP4 (front view)



Board mounted on DIN Rail with CLIP4 (back view)

*Boards and DIN Rails are not included*