

DWC-B8553TIR	DWC-B8563TIR
--------------	--------------



WHAT'S IN THE BOX

QSG Manual		1 Set	Tapping Screws PA 3x25 – 3pcs		1 Set
Mounting Template		1 Set	Plastic Plugs – 3pcs		1 Set
Rubber Plug		1 Set	Machine Screw PWM 3x5 – 1pc		1 Set

NOTE: Download All Your Support Materials and Tools in One Place

- Go to: <http://www.digital-watchdog.com/support-download/>
- Search your product by entering the part number in the 'Search by Product' search bar. Results for applicable part numbers will populate automatically based on the part number you enter.
- Click 'Search'. All supported materials, including manuals and quick start guide (QSGs) will appear in the results.

Attention: This document is intended to serve as a quick reference for initial set-up. It is recommended that the user read the entire instruction manual for complete and proper installation and usage.

STEP 1 – PREPARING TO MOUNT THE CAMERA

- The mounting surface must withstand three times the weight of your camera.
- Do not let the cables get caught in improper places or the electric line cover can be damaged. This may cause a short or fire.
- Using the mounting template sheet or the camera itself, mark and drill the necessary holes in the wall or ceiling.

STEP 2 – CABLING THE CAMERA TO EXTERNAL DEVICES

- Pass the wires through the mount bracket and make all necessary connections. Connect the BNC cable and power cables to the camera.

Power Requirements	Power Consumption
12VDC ONLY! CAUTION! The camera supports DC power supply only	IR on: < 4W IR off: < 1W

STEP 3 – CHANGING SIGNAL IN THE CAMERA

The camera supports three analog signals: HD-Analog, HD-TVI, HD-CVI and analog signal up to 960H.

- In order to switch the camera's signal between the available options, locate the button switch on the signal cable. The video outputs will recycle by holding and pressing the button in the video switch cable for 5 seconds.

NOTE: The camera's factory default resolution is 4MP at 30fps. However, the camera can display video up to 5MP resolution at 20fps. In order to change the camera's resolution, go to the camera's OSD menu > ADJUST > OUTPUT MODE.

STEP 4 – INSTALLING THE CAMERA

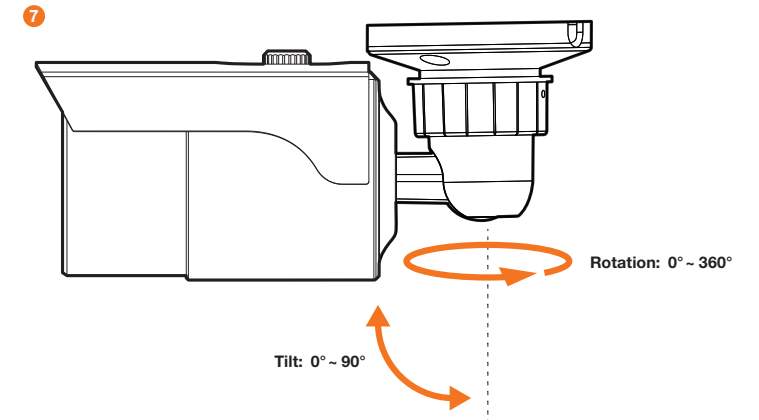
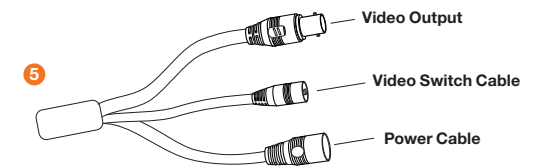
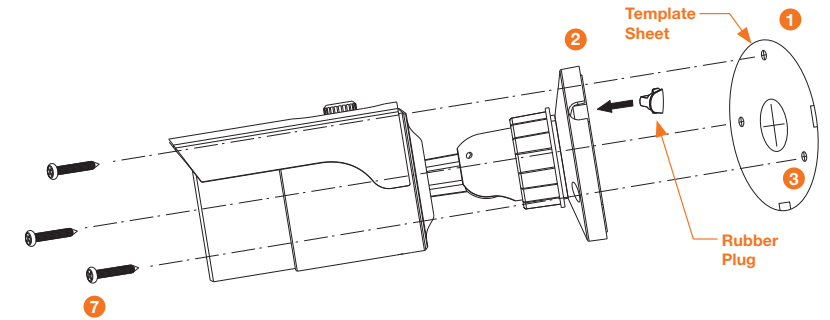
- Mount the rubber plug to the gap of the mounting base. Then secure the mounting base with camera to the wall with screws.
- Adjust the camera to obtain an optimum angle by using the camera's bracket. The camera's max angles are:

Pan: 0°~ 360°
Tilt: 0°~ 90°

When the proper view has been achieved, tighten the fixed screws to finish the installation.

- If your camera supports a varifocal lens (DWC-B8563TIR models only), you can adjust the camera's zoom and focus from the camera's OSD menu via UTC. See the user manual for more information.

- Remove the protection film softly to finish the installation.



	AF	SEMI
▶ 1. AF MODE		↕
2. ONE SHOT AF		↕
3. TDN AF		OFF
4. LENS INIT		↕
5. RETURN		RET ↕