



System Sensor – RRS-MOD

NEO HS2016 / HS2032 / HS2064 / HS2128 v1.35+



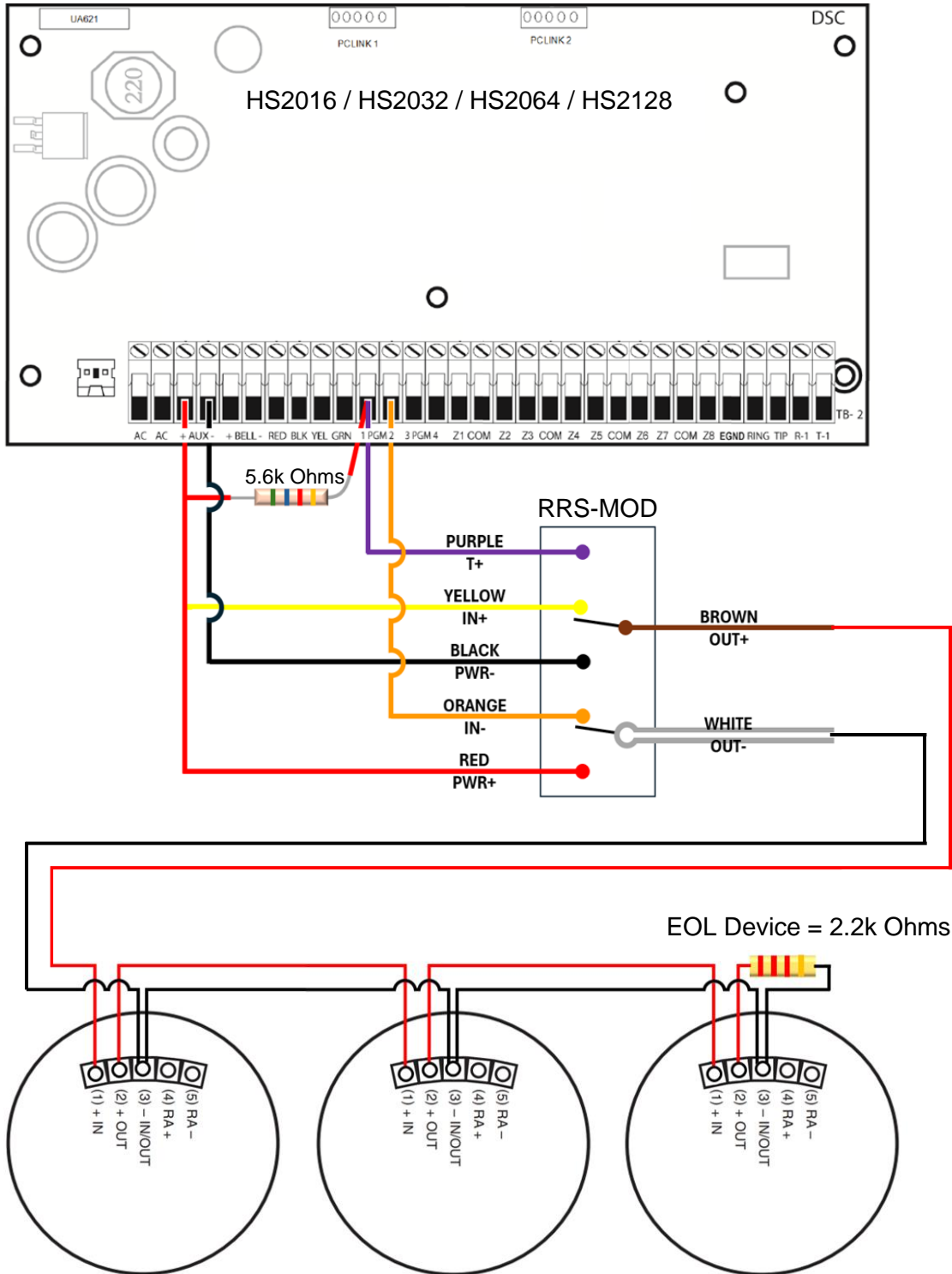
The PowerSeries NEO supports and is cross listed with the System Sensor RRS-MOD and System Sensor 2WTA-B 2-wire smoke detectors.

The RRS-MOD 2-wire smoke loop is monitored by the NEO for three states of the fire circuit through the PGM2 connection:

- 2.2k resistance is a Normal state.
 - Reduction of resistance toward 0k is an Alarm state. (Detector alarm or short)
 - Increase of resistance toward ∞ is a Trouble state. (Loose or broken wire)
- **Tech Tip:** Test each smoke detector for alarm state and the loop for trouble state. Follow the manufacturer's instructions as needed for testing.
 - **Tech Tip:** Only use compatible 2-wire smoke detectors. Do not install other devices on the alarm circuit (e.g., heat detectors, manual pulls, etc.)
 - **Tech Tip:** Follow the manufacturer's installation instructions for testing, power calculations, operation, and installation requirements as needed.

System Sensor – RRS-MOD

Wiring:



System Sensor – RRS-MOD

Panel Programming:

- [] = NEO Panel Section / Solid ~ Red Lock light in programming /
- { } = NEO Subsection / Single Flashing ~ Red Lock light in programming /
- () = Data / Solid ~ Green Check light in programming /

Section [009] PGM Definition Programming

- {001} (101) Program PGM1 as (101) Burg and Fire Bell Follower
- {002} (104) Program PGM2 as (104) 2-Wire Smoke

Section [010] PGM Definition Attributes

- {001} Option 1 ~ True Output = 'N'

- **Tech Tip:** The PGM providing the fire alarm trigger MUST be inverted. The panel will not reset properly if the PGM is not inverted.

Section [013] Option 8 ~ Temporal Three Fire Signaling = 'Y'

- **Tech Tip:** The panel MUST be set for Temporal Three Fire Signaling. The smoke detectors will not sound off properly if Temporal Three Fire Signaling is not enabled.

RSS-MOD Setup:

The fire alarm output signal from PGM1 in this setup is coded as Temporal Three Fire Signaling, the RRS-MOD switch MUST be set to 'OFF'.

- **Tech Tip:** The CO alarms will sound through the smoke detector sounders with three rapid beeps vs. the longer temporal three beeps of fire alarm.

