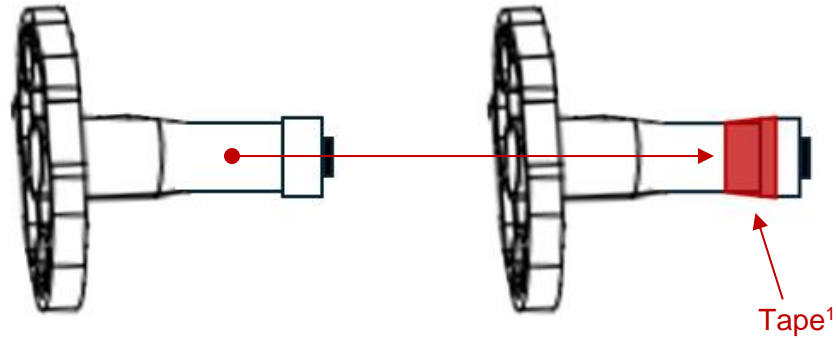
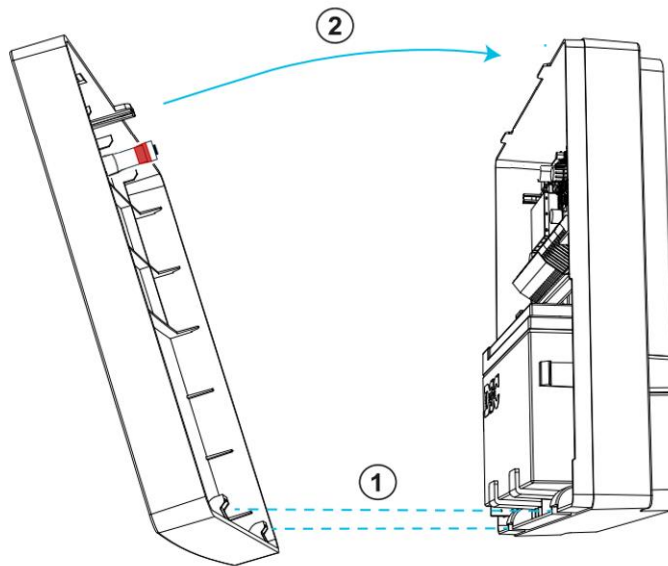


Secure the Boot

PG9WLSHW8 / PG9HRDW8



The PG9WLSHW8 / PG9HRDW8 hardwired to PowerG wireless module has a front and rear tamper. The front tamper boot can be accidentally knocked off if the cover is not handled with care.



- **Tech Tip:** When removing the cover of the PG9WLSHW8 / PG9HRDW8 module, double check for the rubber tamper boot. Secure the boot to the post with a piece of electrical tape¹ so it doesn't get dislodged or lost... DO NOT tape over the tip.
- **Tech Tip:** The tamper boot is the same one used on the old WS4945 wireless transmitters. Just in case one is needed due to the sudden disappearance of the original boot.