

How does the Video Doorbell Wall Power Supply Kit work?

The Video Doorbell Wall Power Supply Kit (ADC-VDBA-PSU-DC) is a DC plug-in power supply rated at 16V, 1.25A (20W). The Video Doorbell Wall Power Supply Kit is designed to easily power the ADC-VDB770 when not using an existing chime circuit. This supply can be used for installations where there is no existing wiring or where the existing setup is incompatible.

Important: The Wall Power Supply Kit should only be installed when no wired chime is used in the circuit.

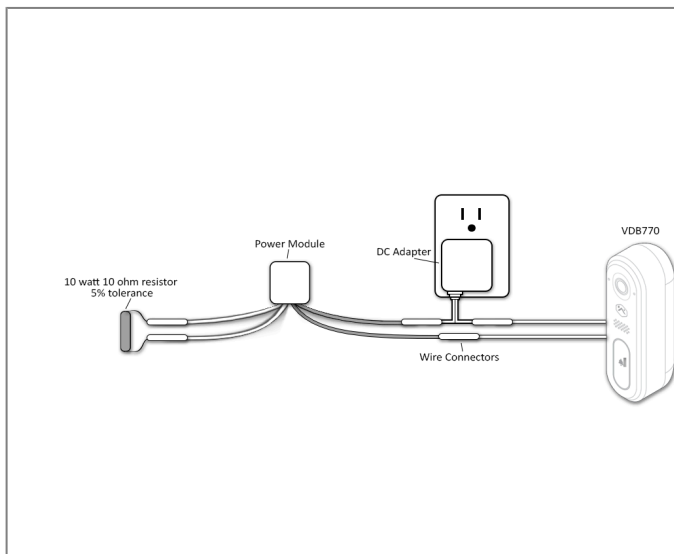
Installation and wiring

Required materials

- A 10 W / 10 Ohm resistor (or flameproof 5W / 3.9 Ohm resistor without a power module)
- Wires for the power supply

Wiring diagrams

Power module installed



No power module

